

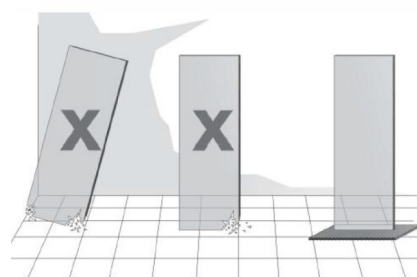
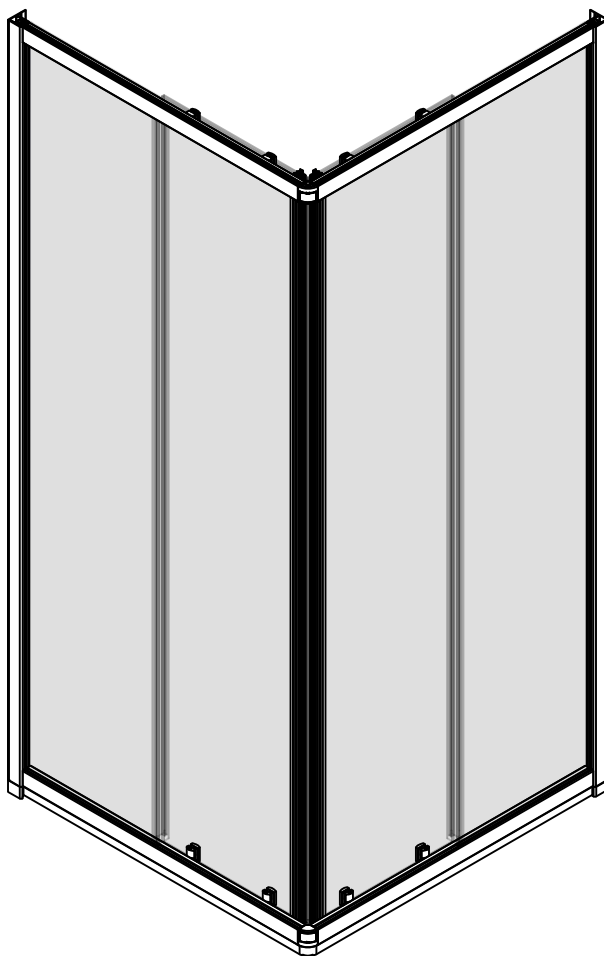


HIETAKARI®

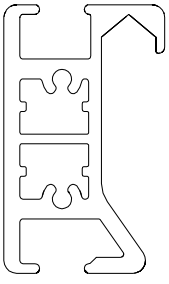


8/25 74RLM

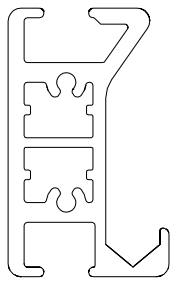
INFINIA 411



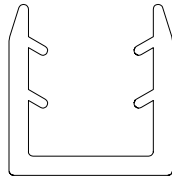
Parts



1. x2

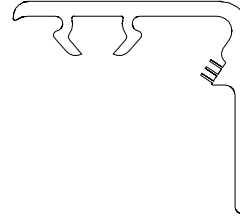


2. x2



3. x4

1/41 E0RLM



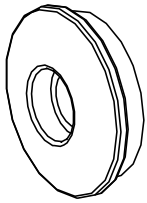
4. x2

1/42 M0RLM



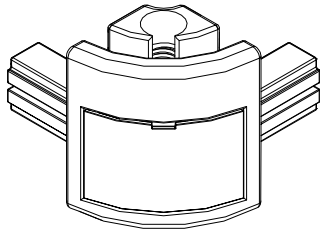
5. 3.5x39 mm

4/83 31RLM



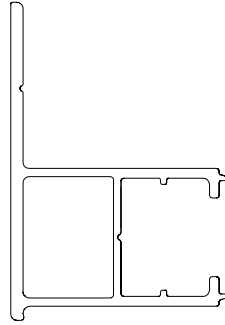
6. x8

4/83 42RLM

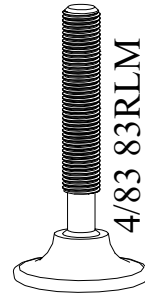


7. x2

8/65 80RLM

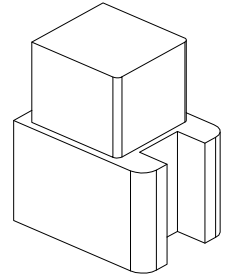


8. x2



9. x1

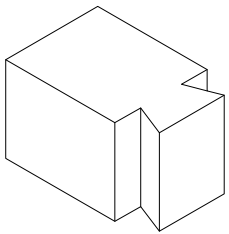
4/83 83RLM



10. x2

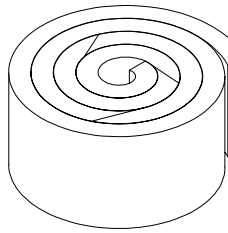
4/83 A2RLM

x12



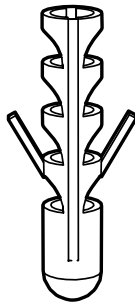
11. x2

4/83 A3RLM



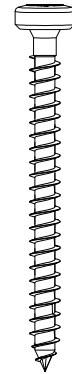
12. x1

4/83 61RLM



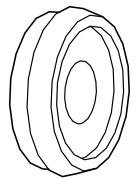
13. 6x30 mm
x8

4/83 13RLM



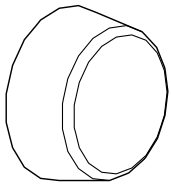
14. 6x30 mm
x8

4/83 11RLM



15. x16

4/83 22RLM



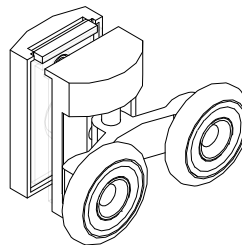
16. x16

4/83 23RLM



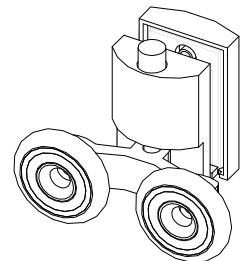
17. 4.2x13 mm
x16

4/83 24RLM



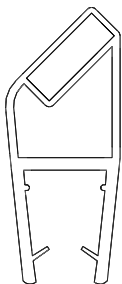
18. x4

4/83 70RL1



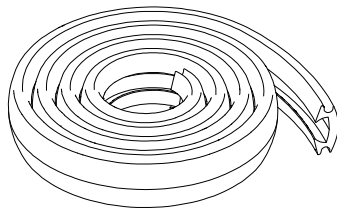
19. x4

4/83 70RL2



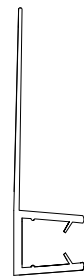
20. x2

1/42 50RLM



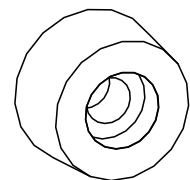
21. x1

4/83 52RLM



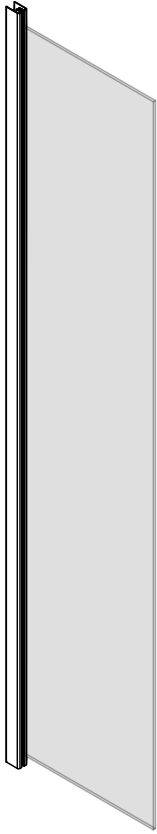
22. x4

1/42 10RLM



23. x8

4/83 30RLM

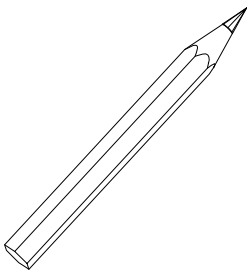


24. x2

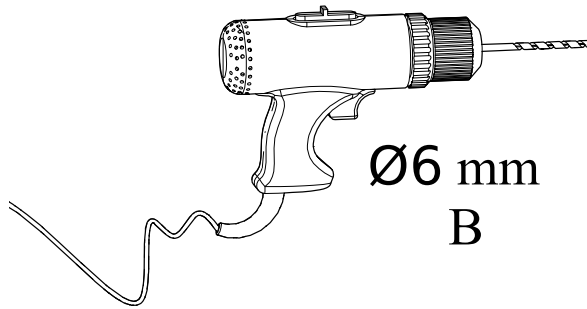


25. x2

Tools



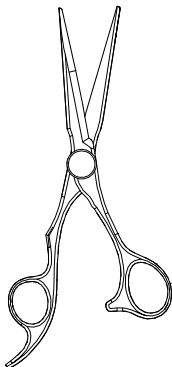
A



B



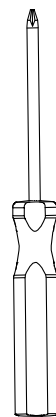
C



D

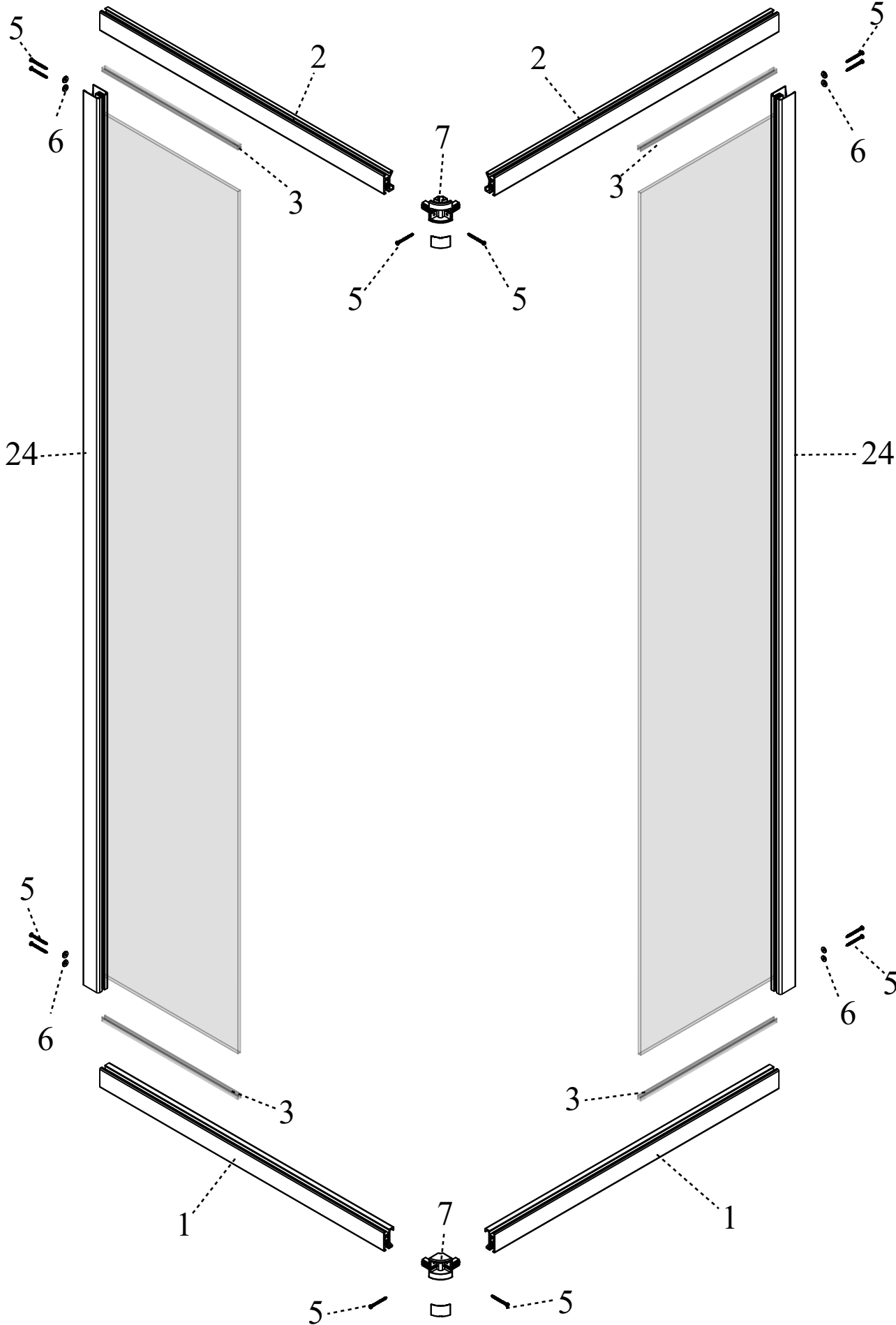


E

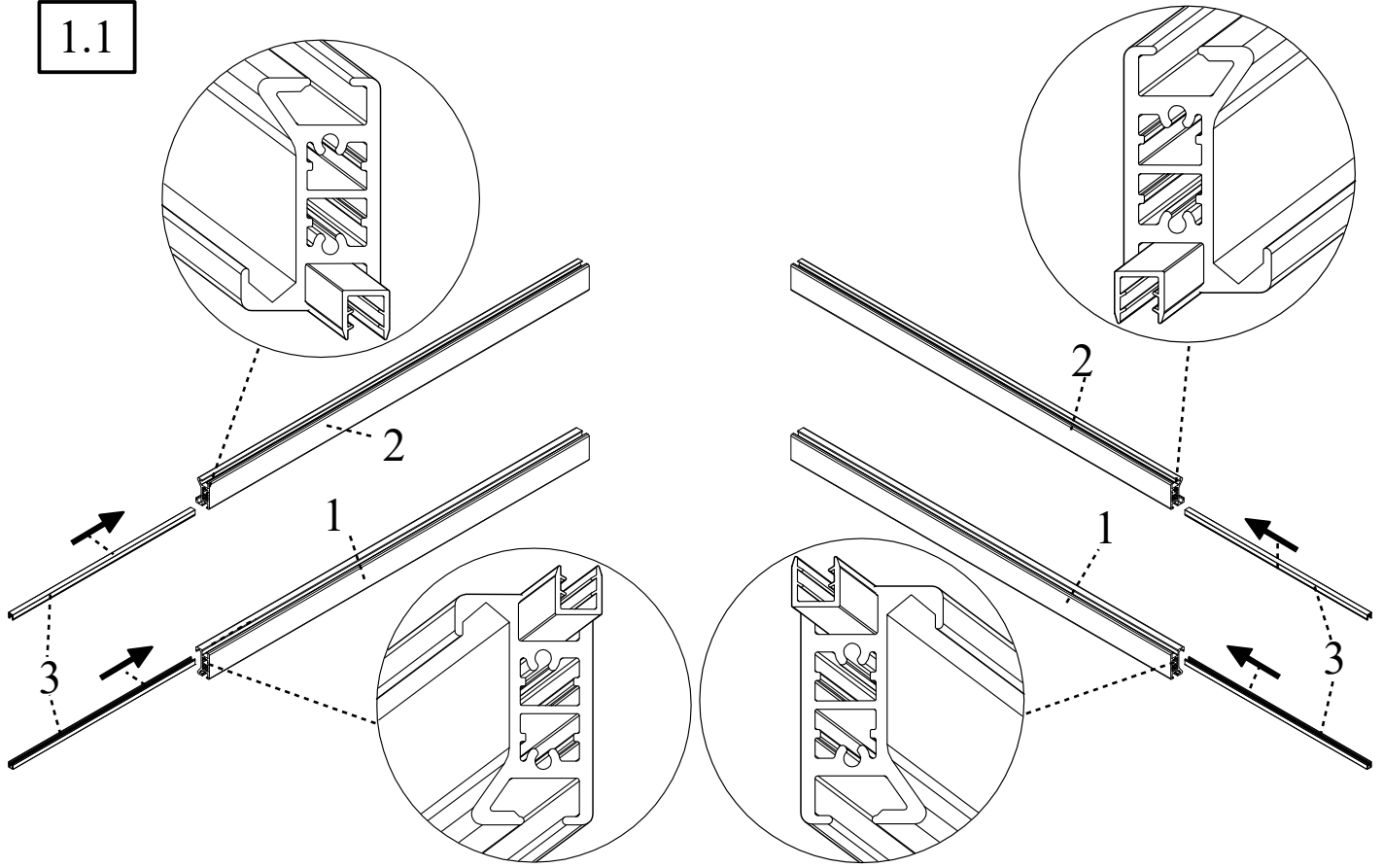


F

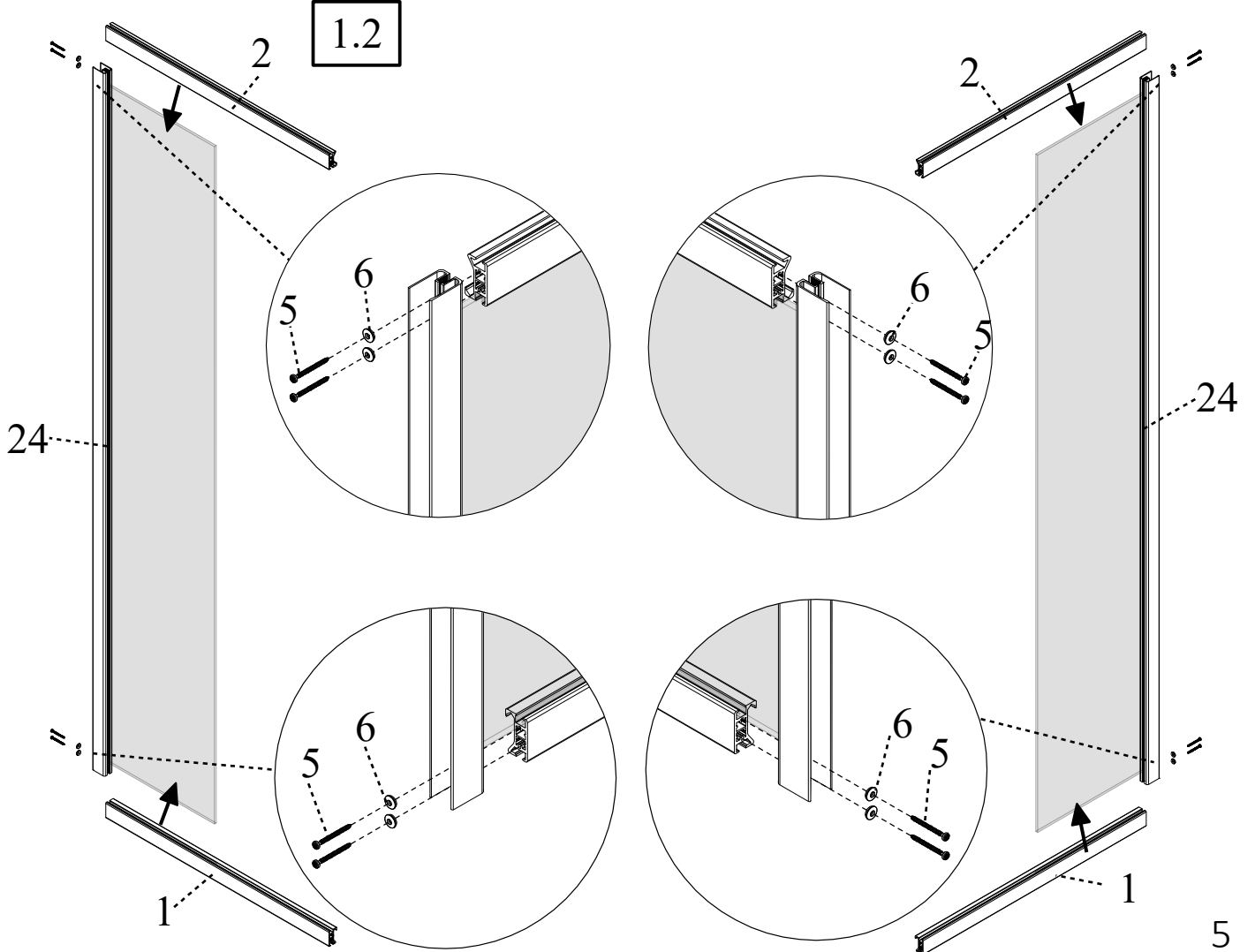
STEP 1/3



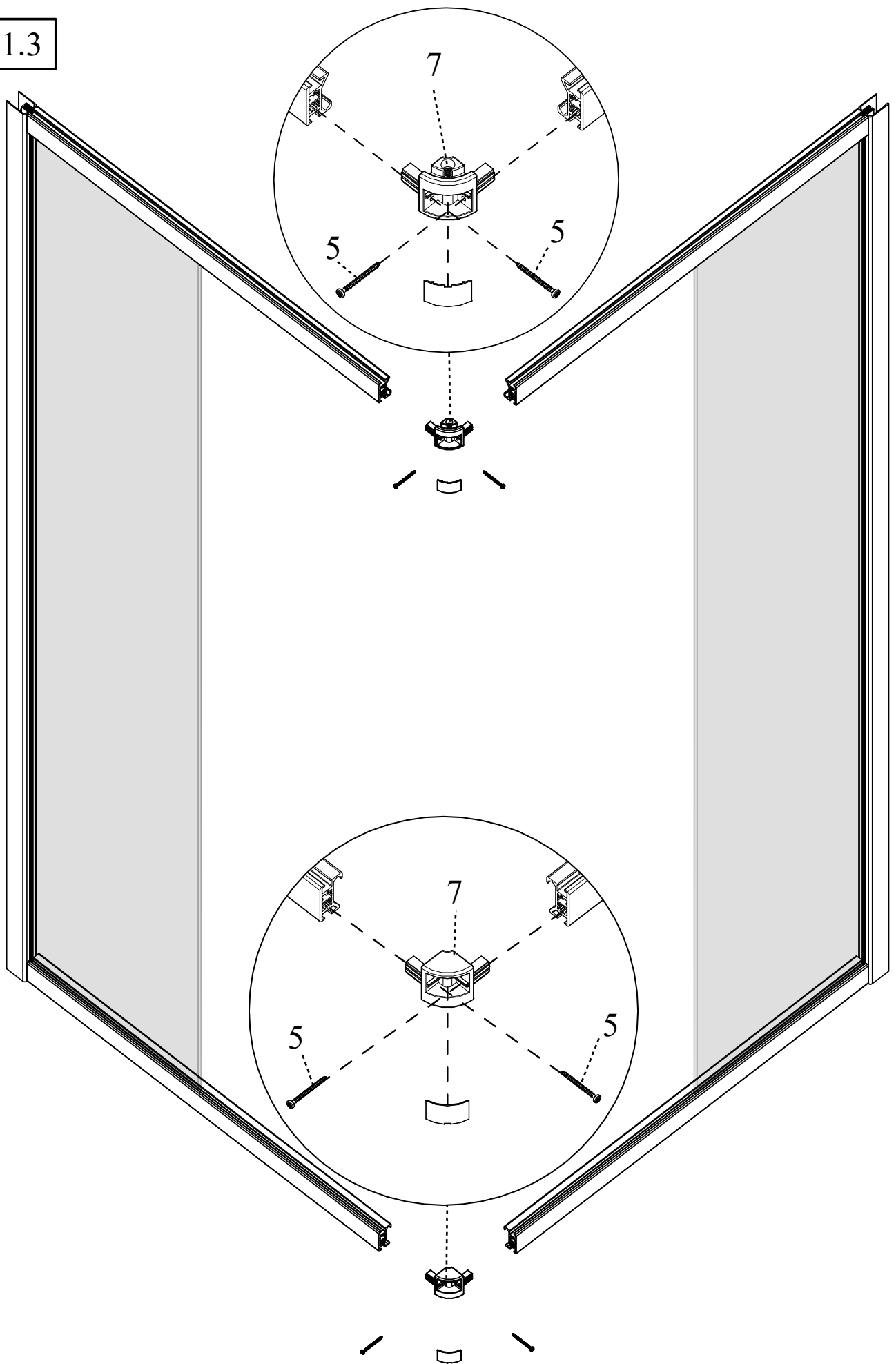
1.1



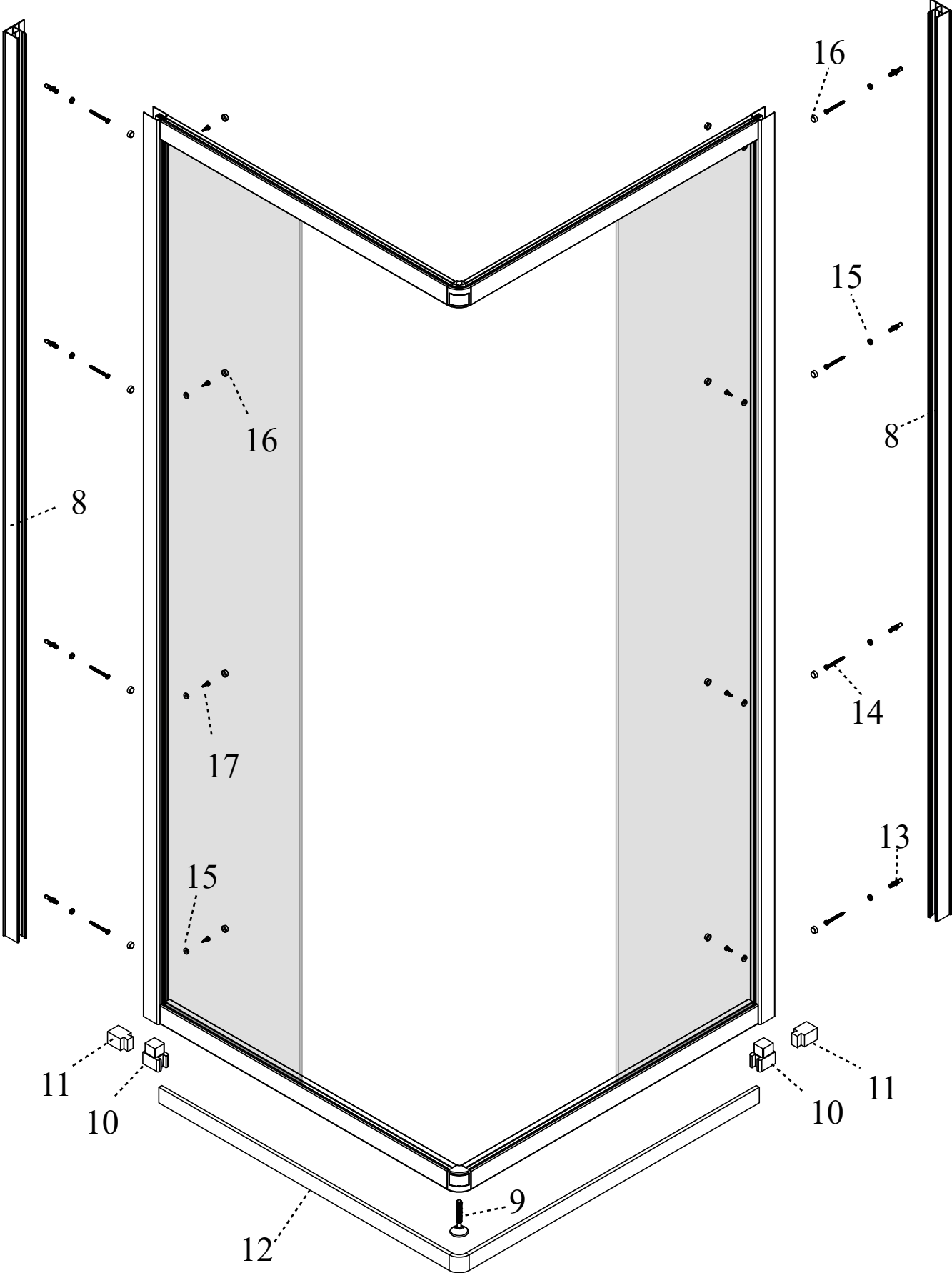
1.2



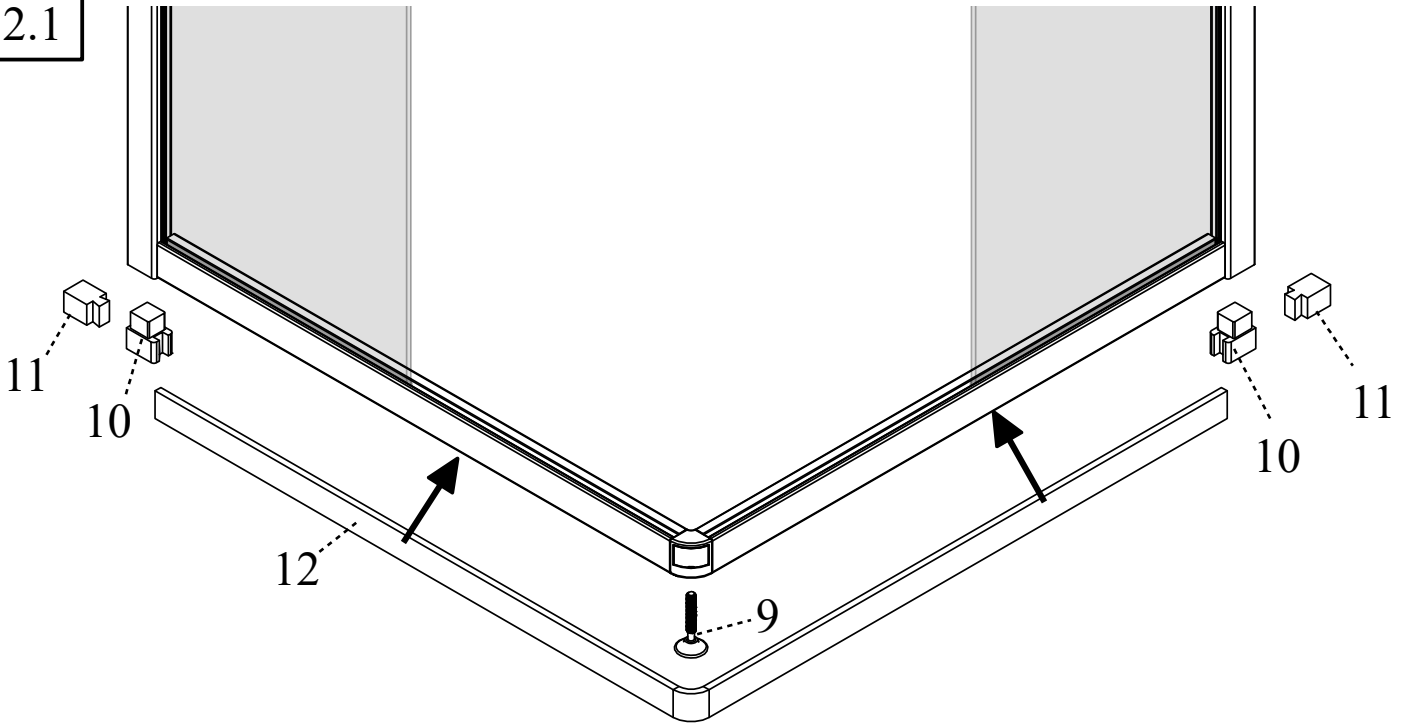
1.3



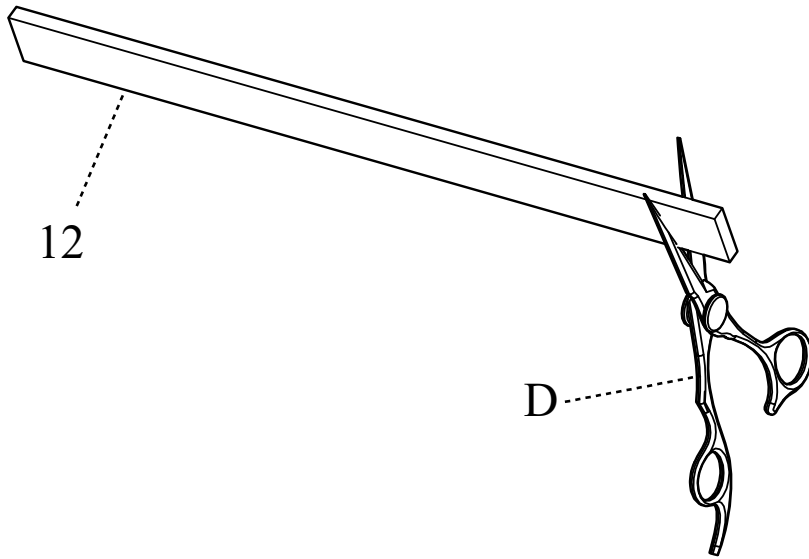
STEP 2/3



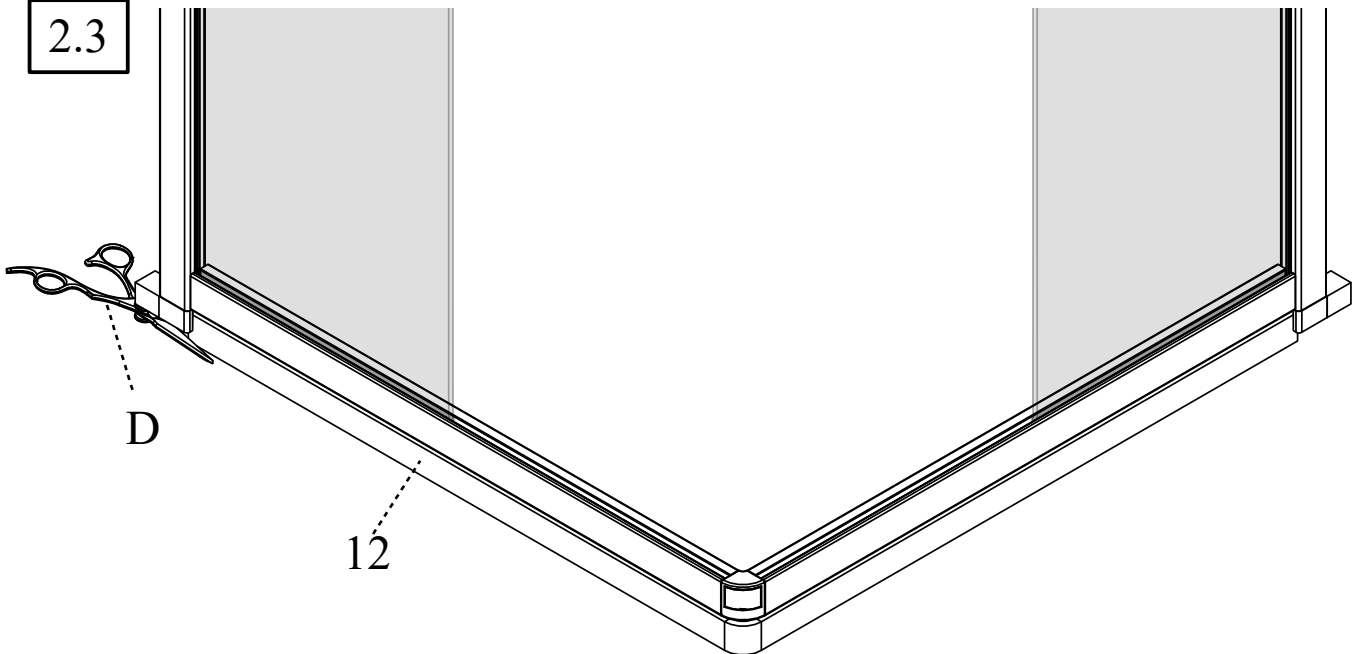
2.1



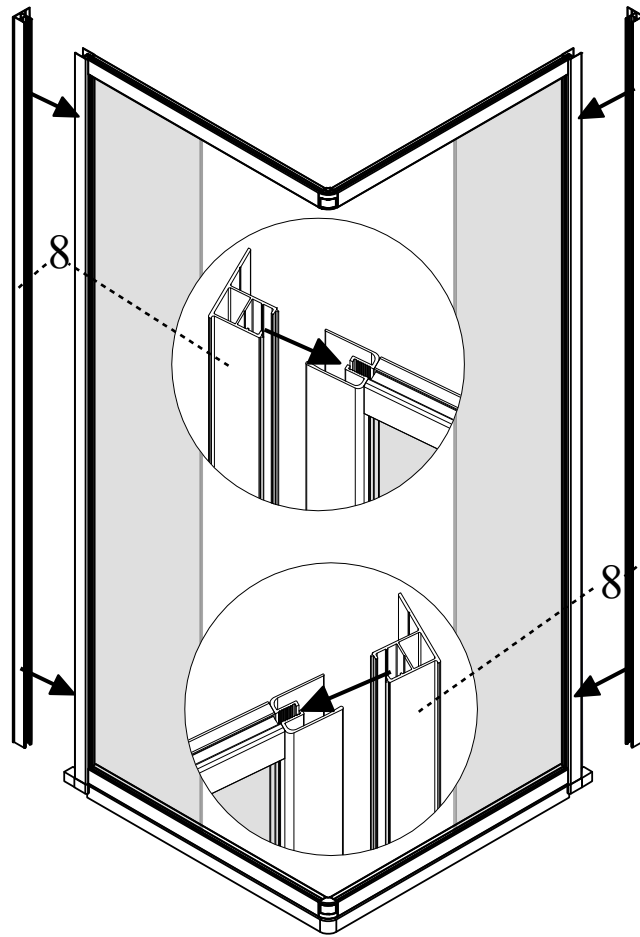
2.2



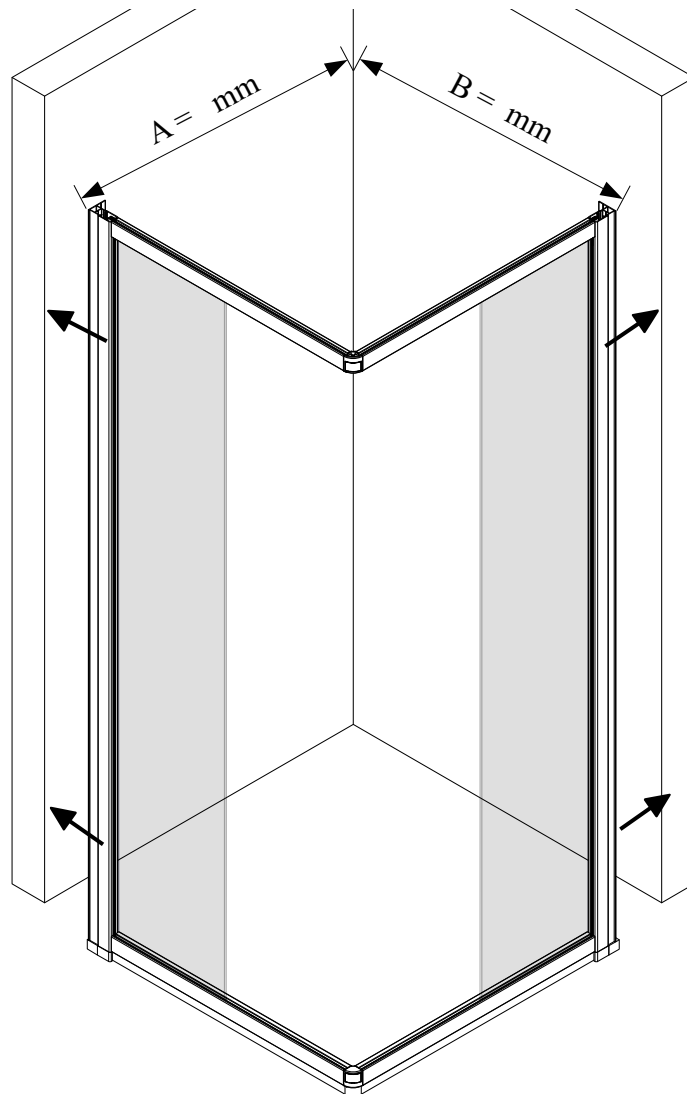
2.3



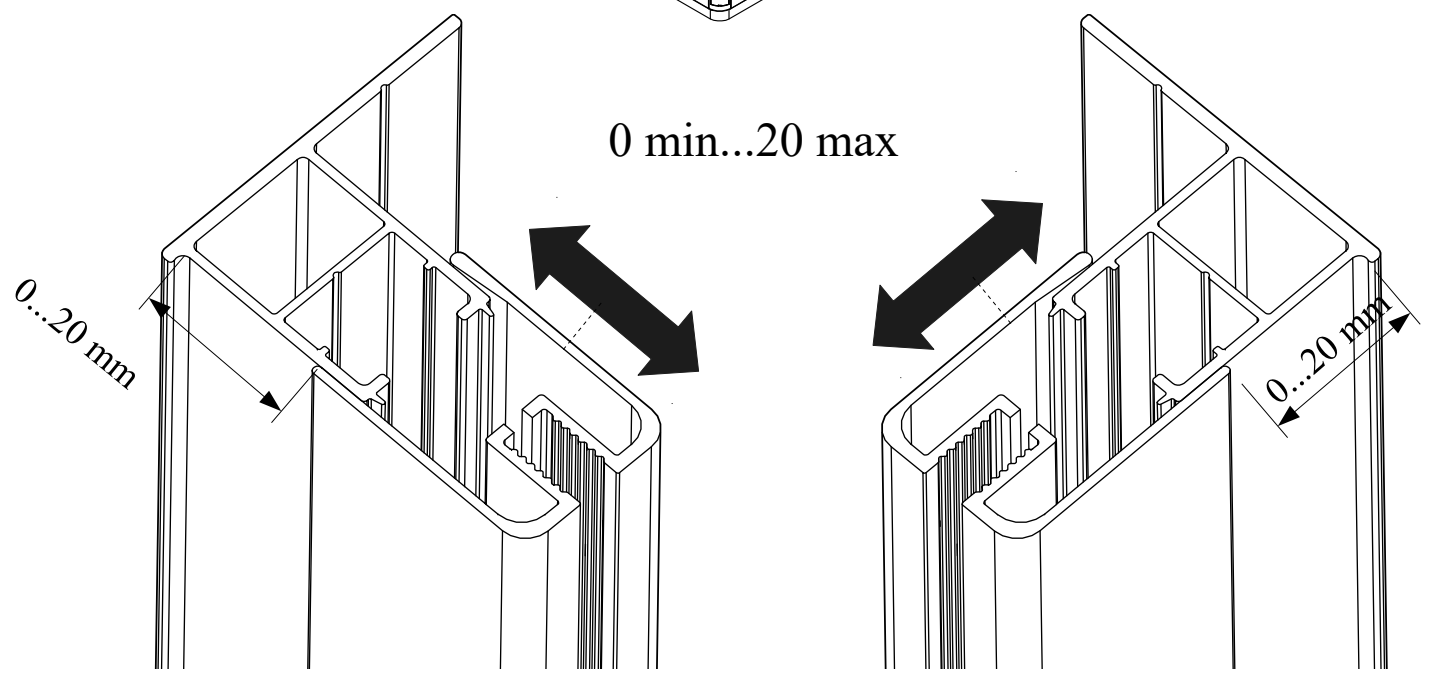
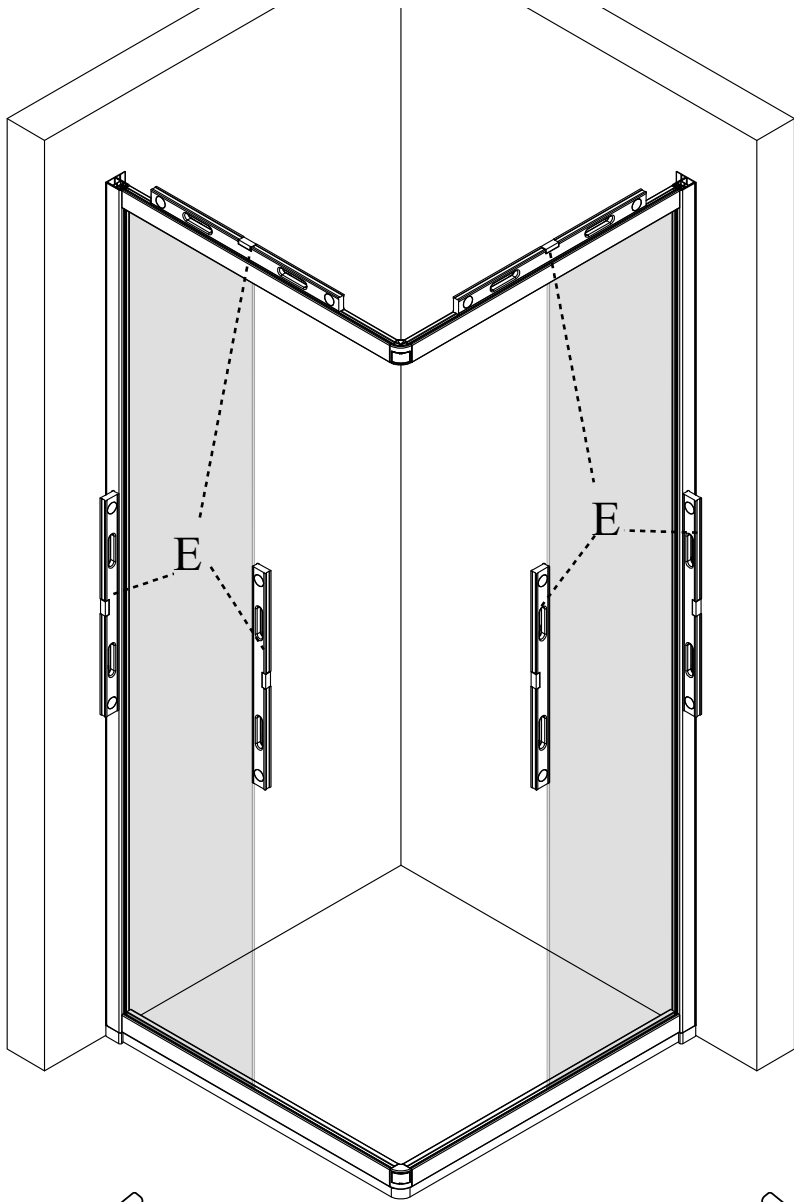
2.4



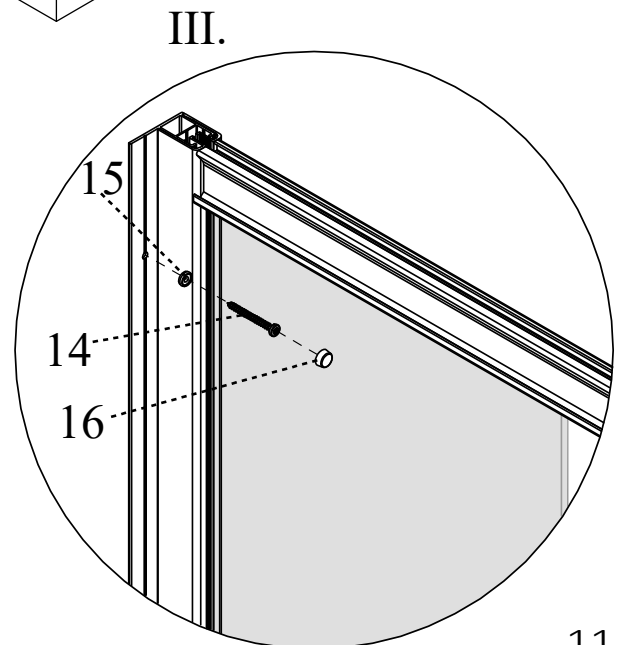
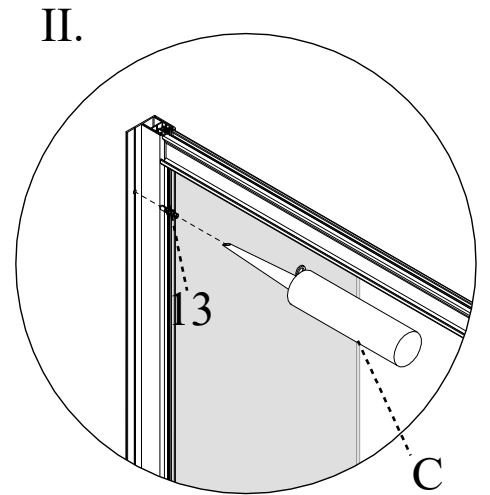
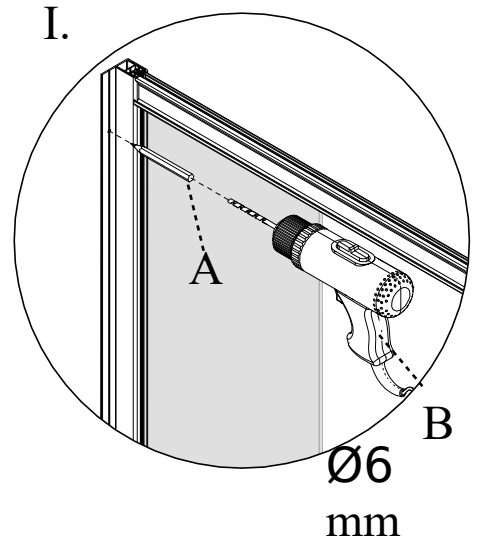
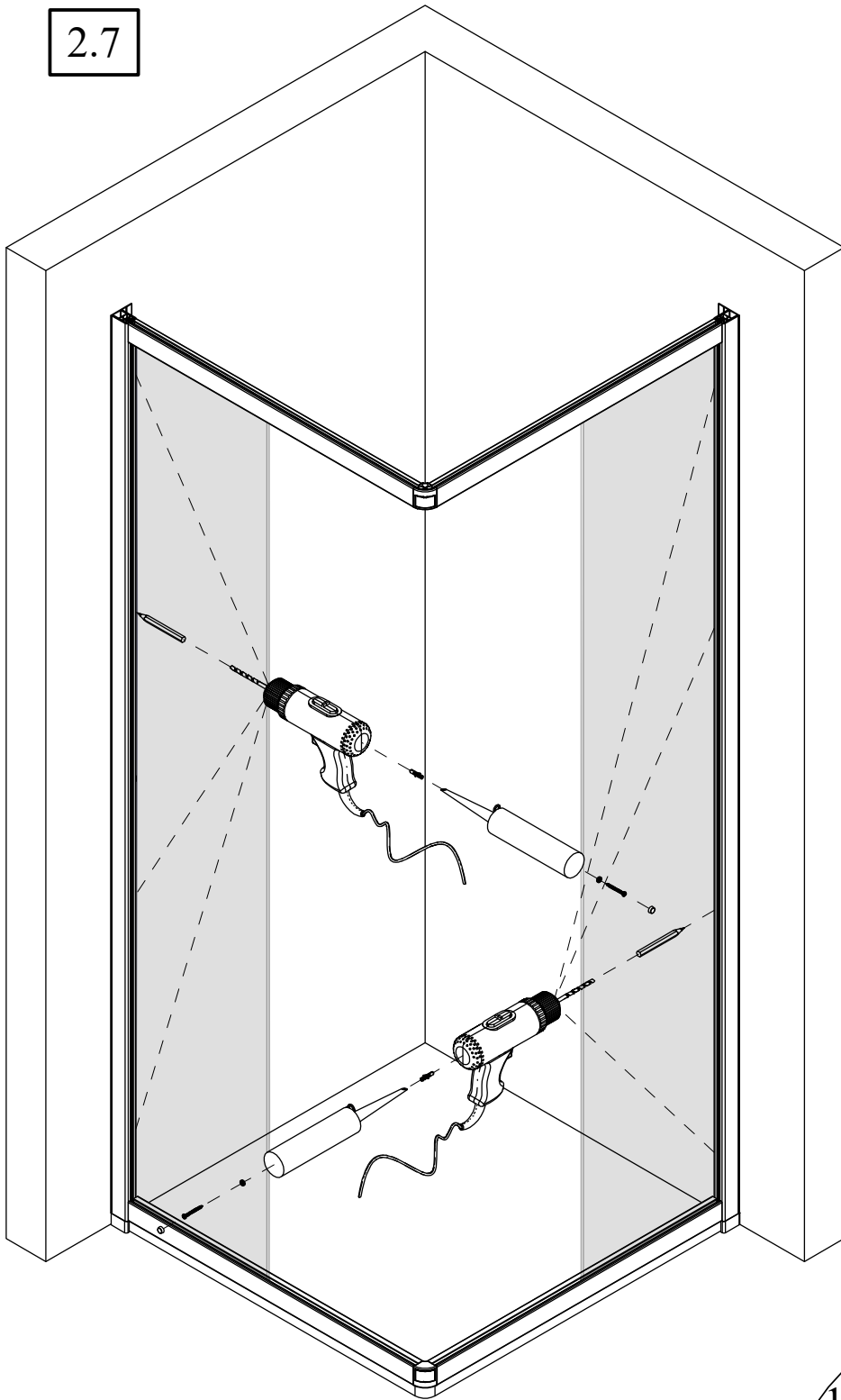
2.5



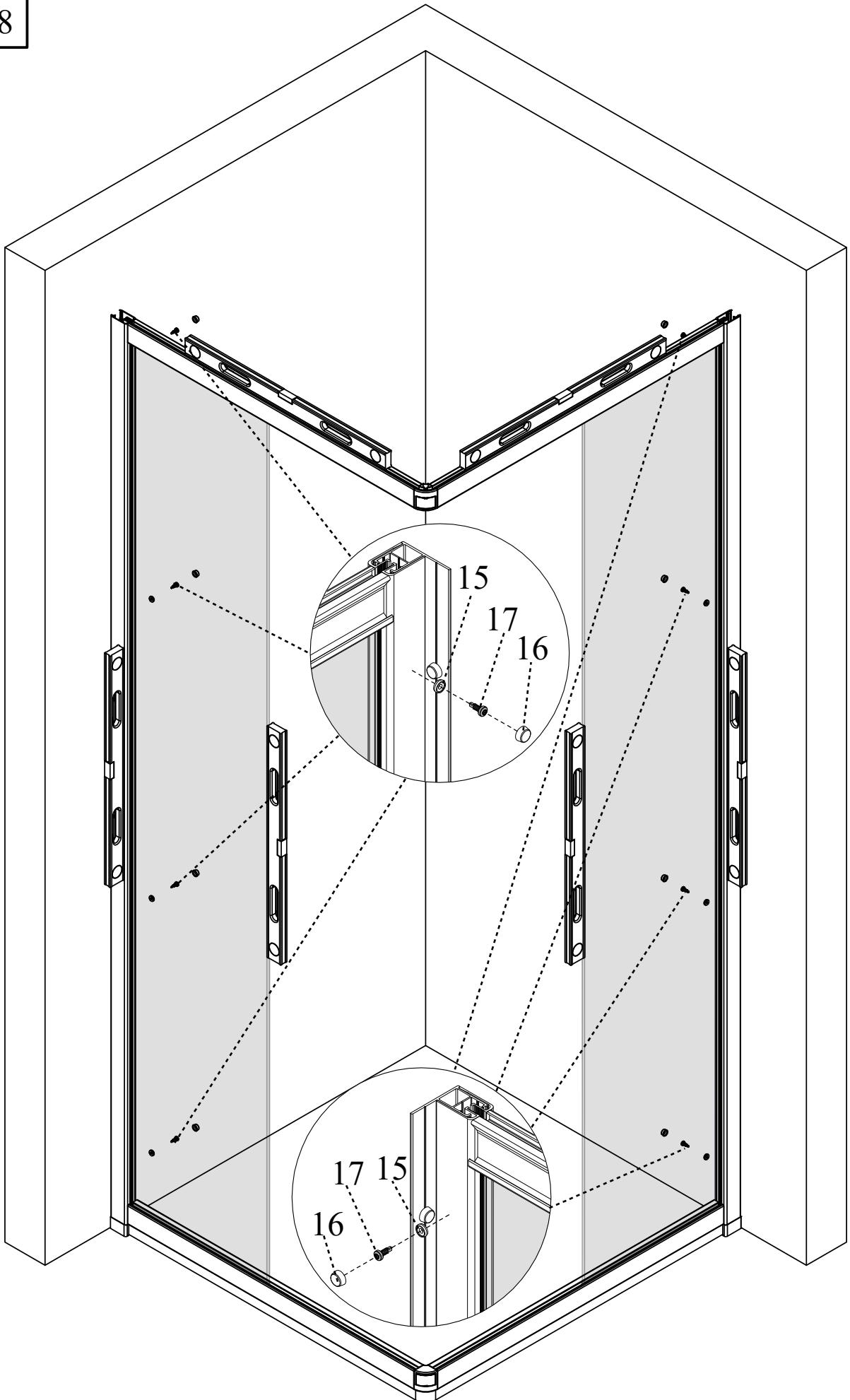
2.6



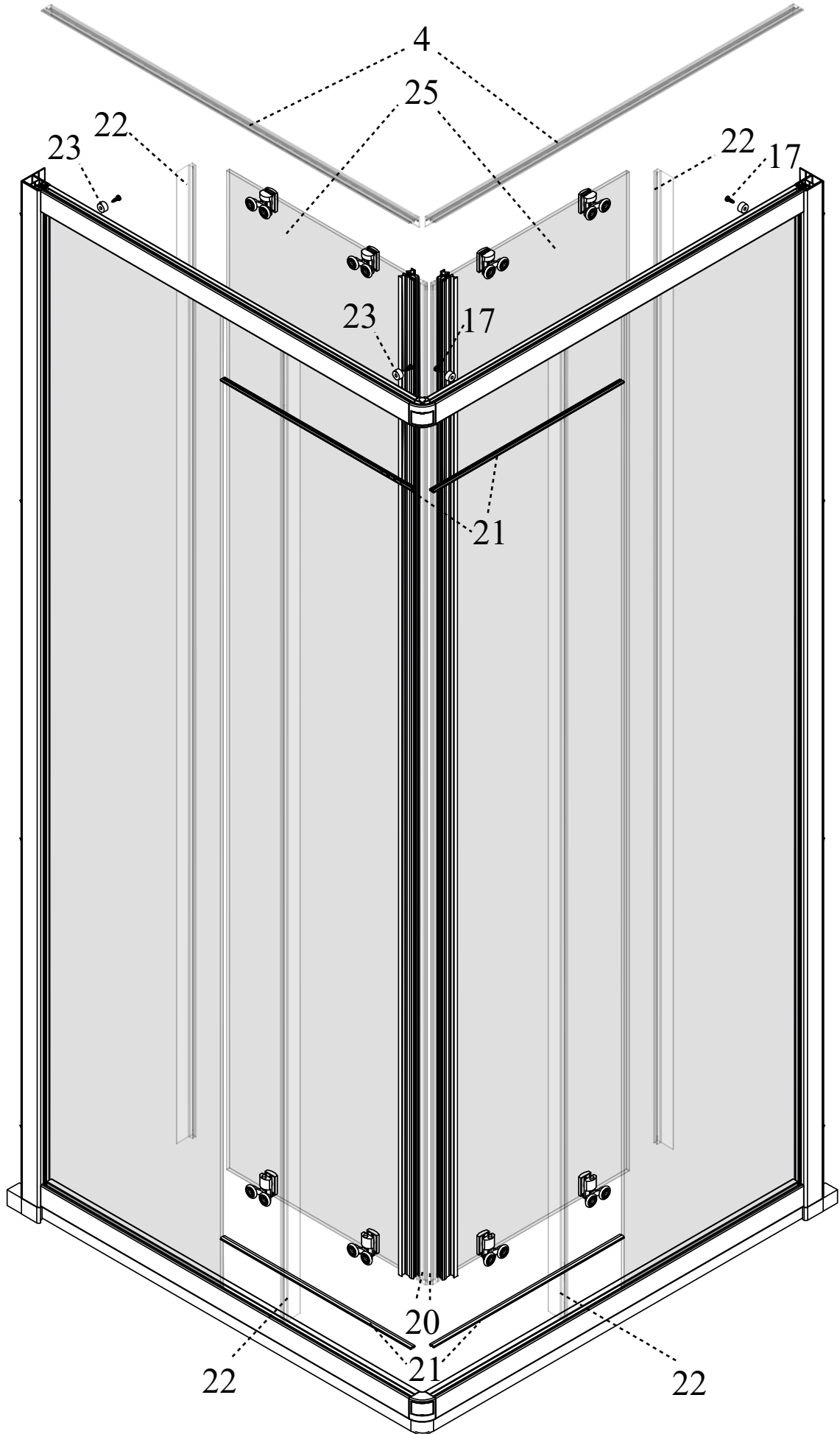
2.7



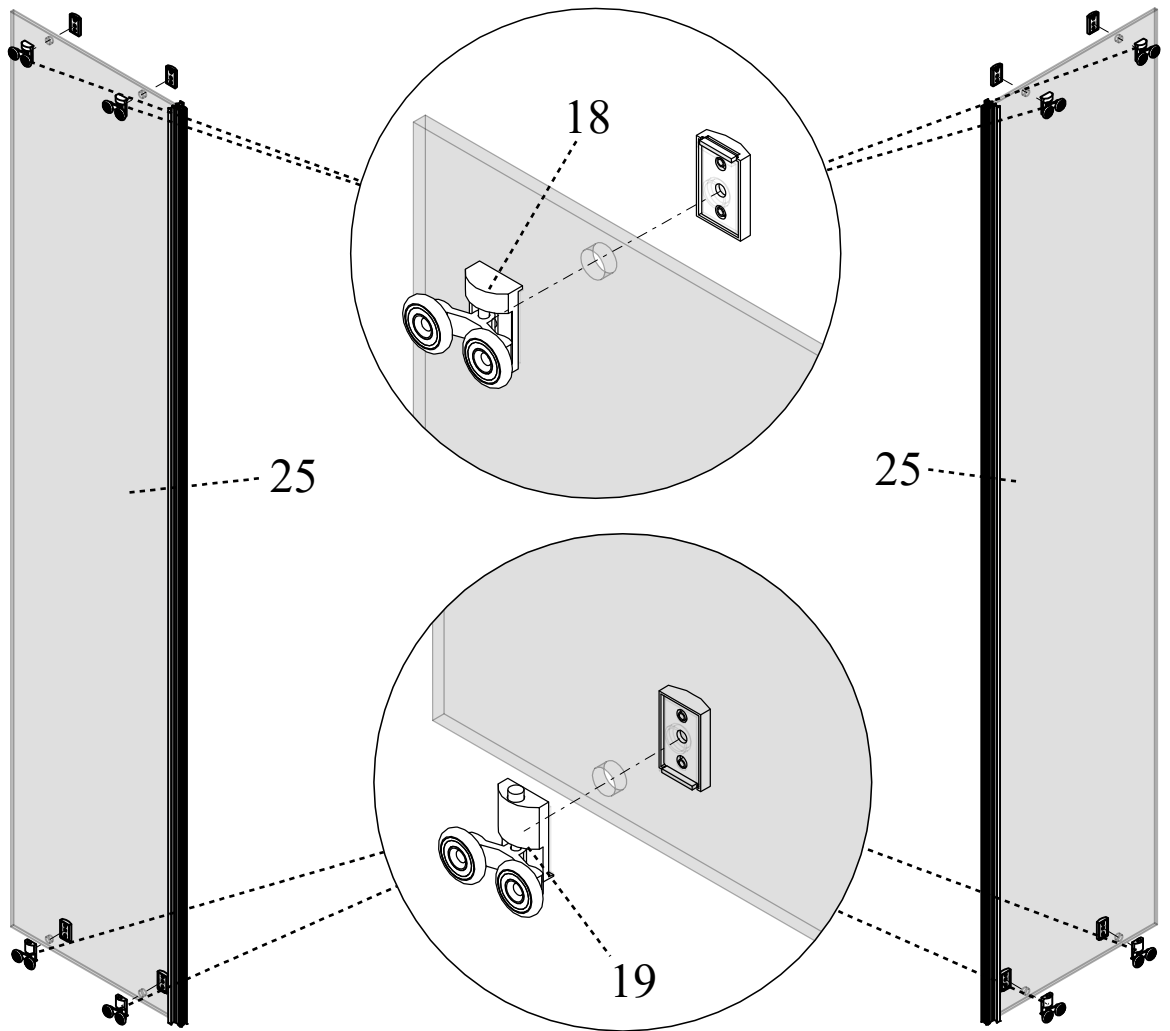
2.8



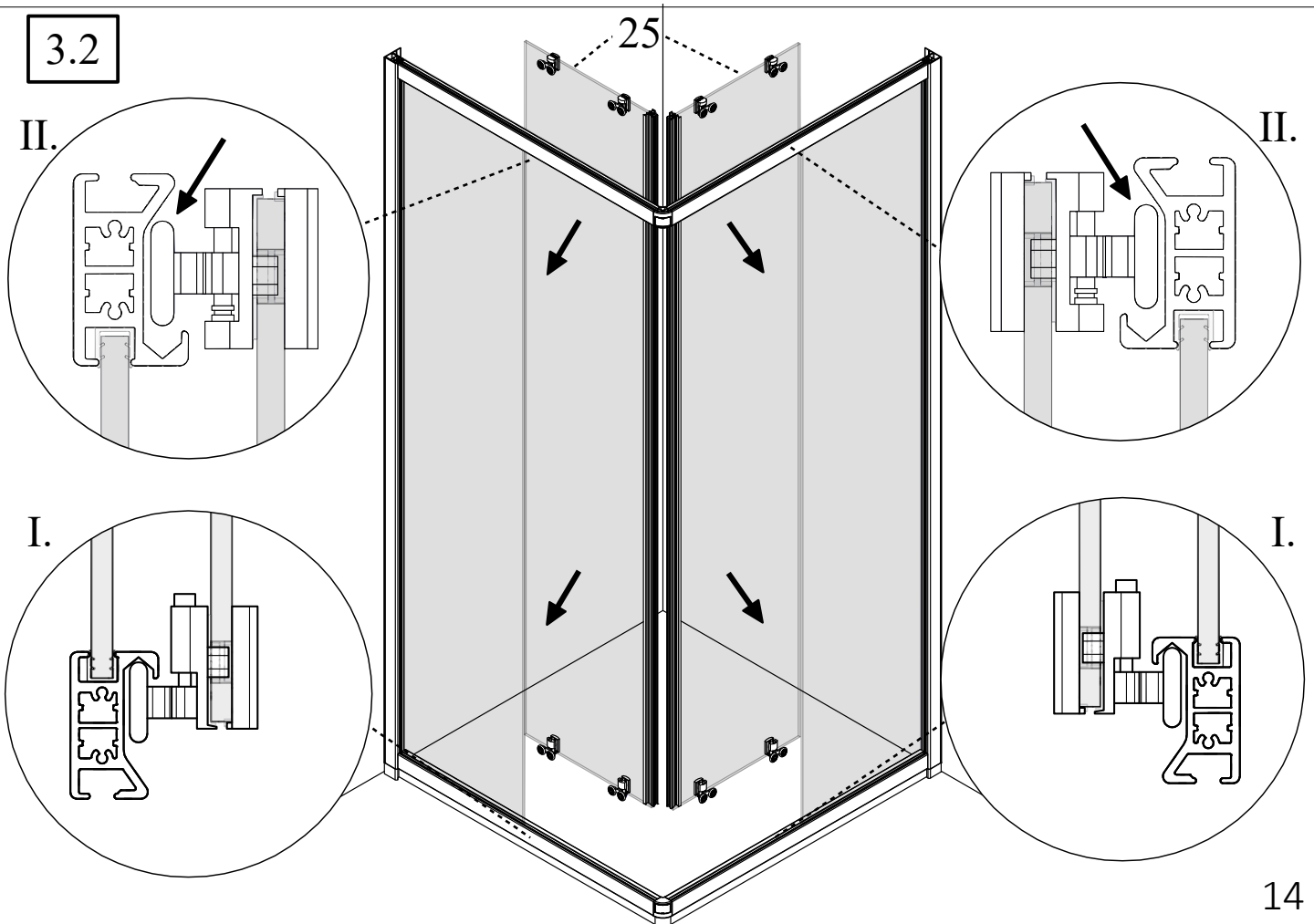
STEP 3/3



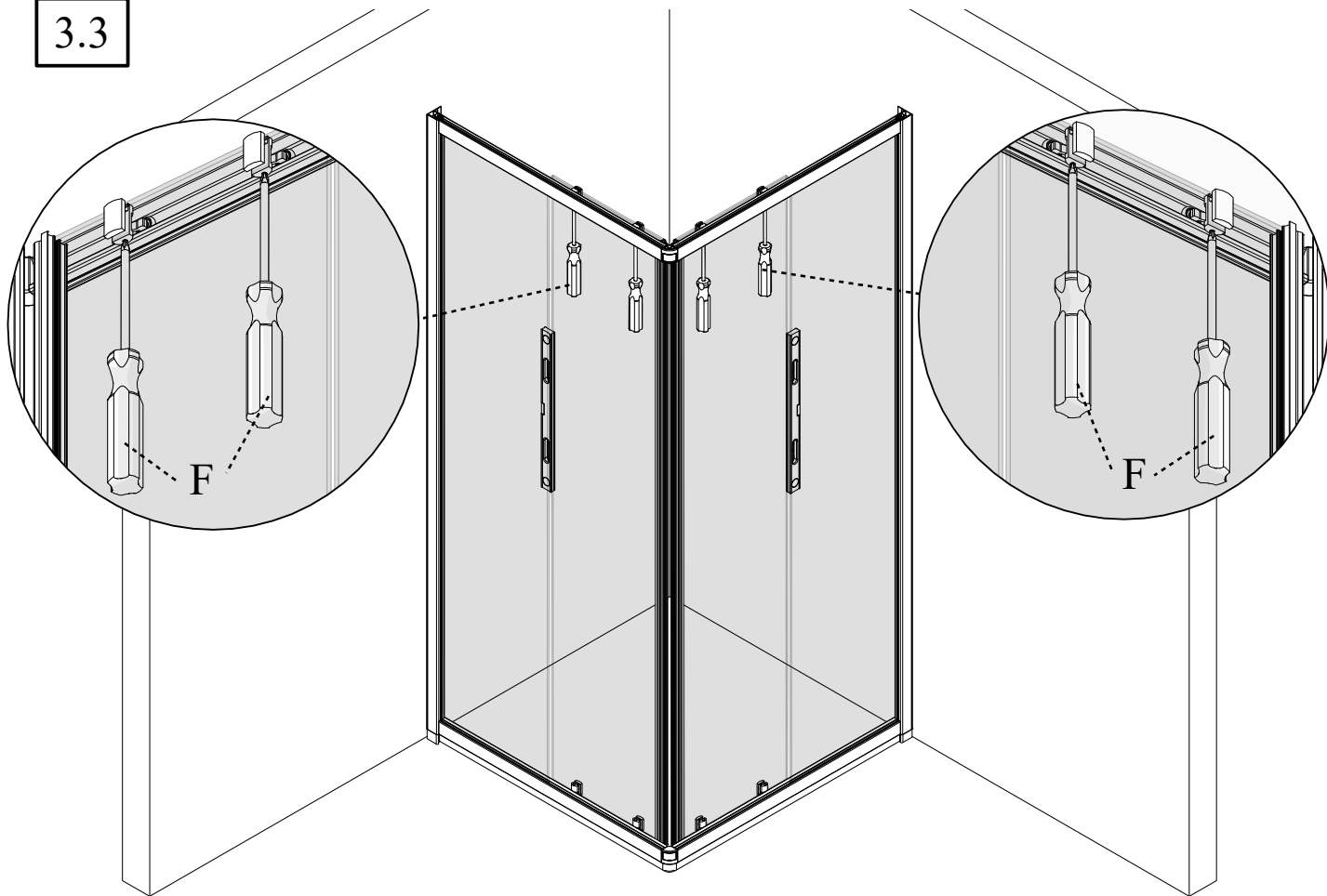
3.1



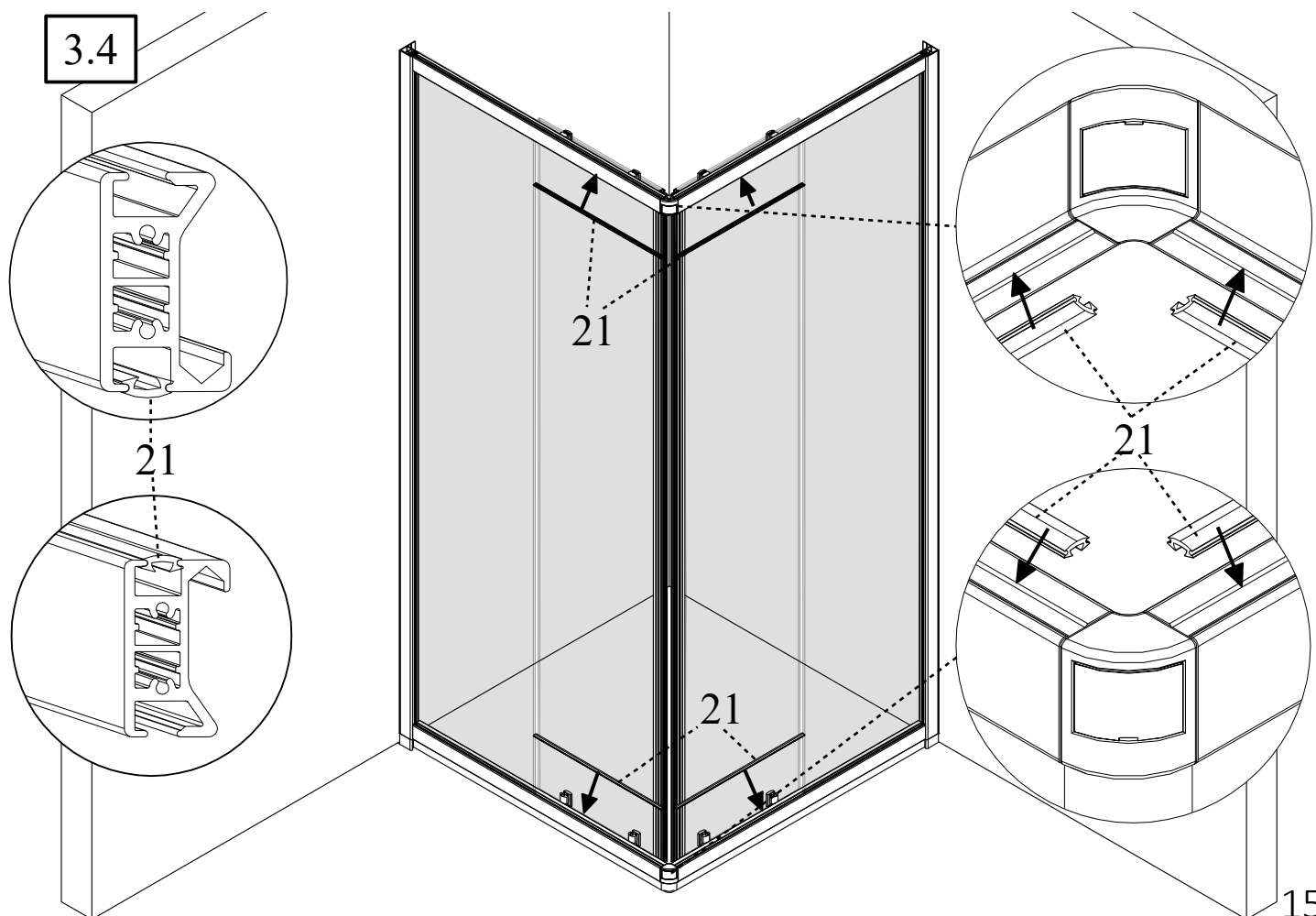
3.2



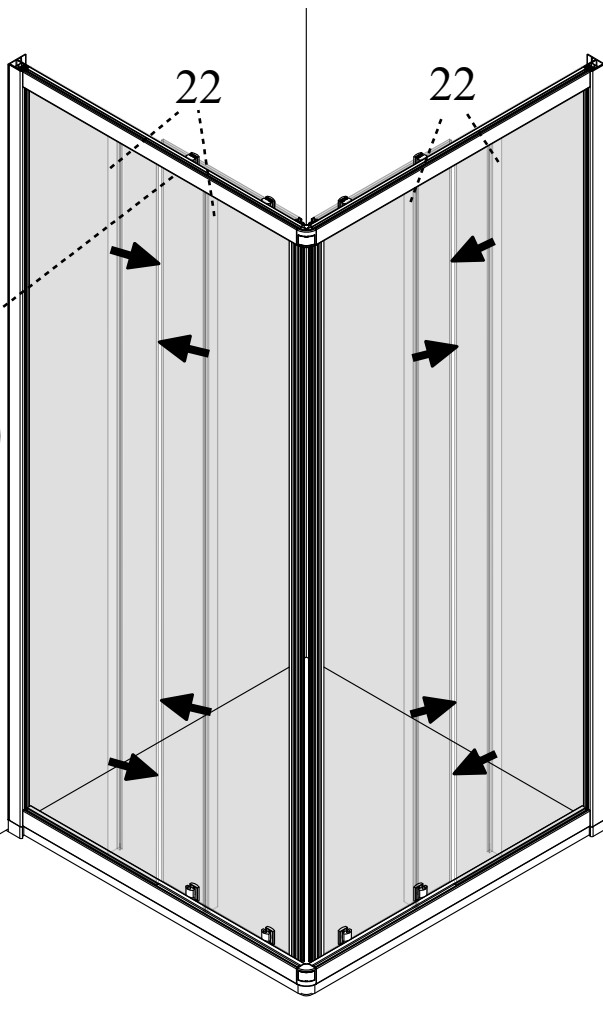
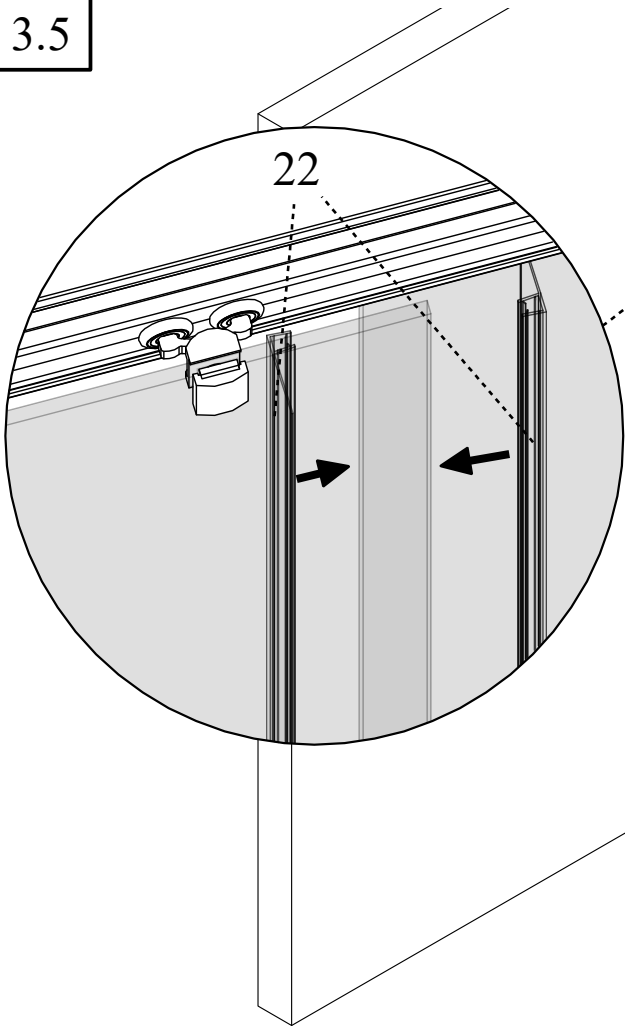
3.3



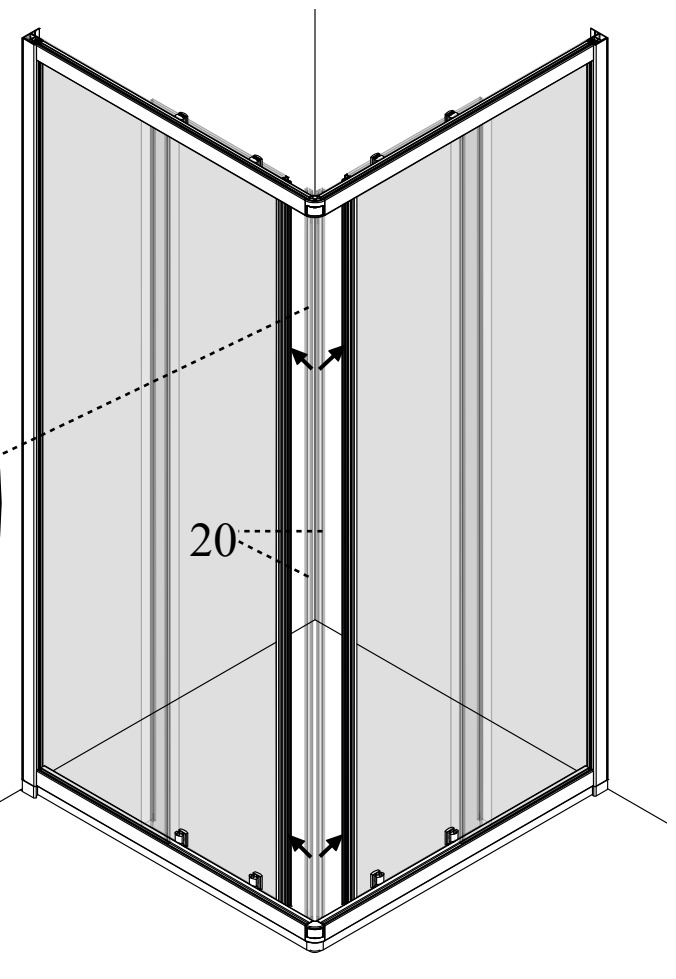
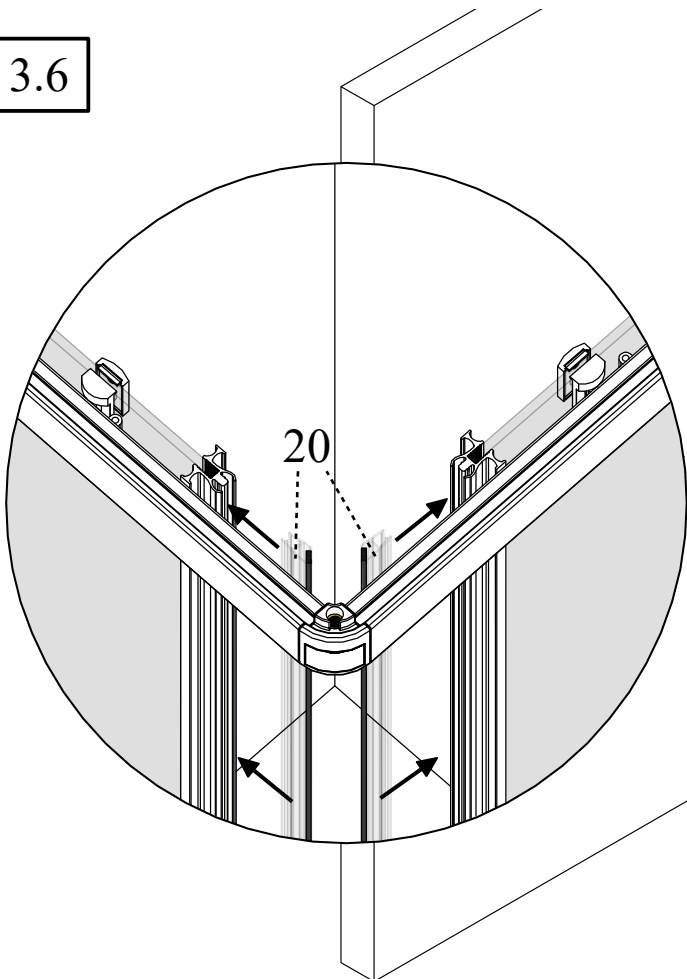
3.4



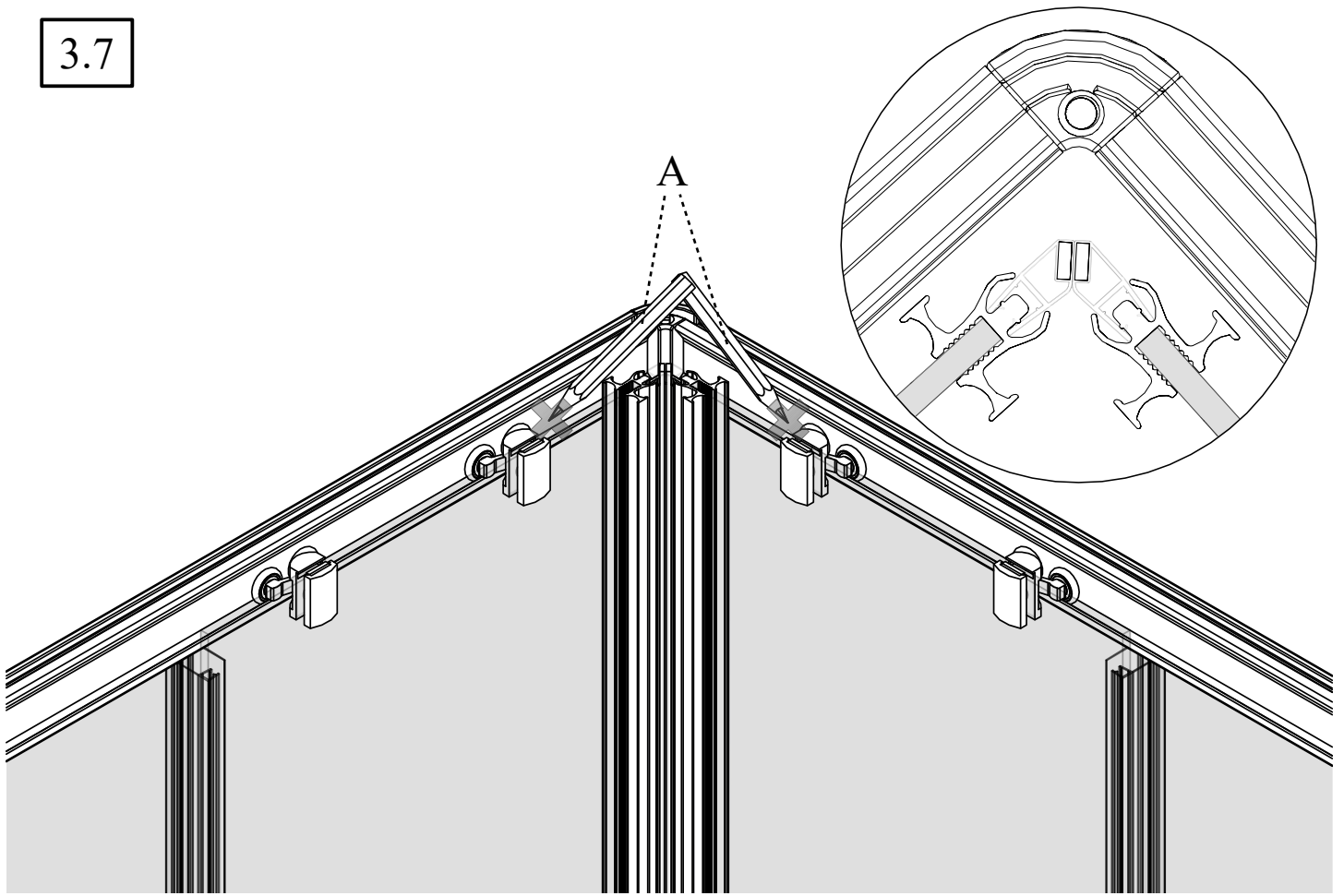
3.5



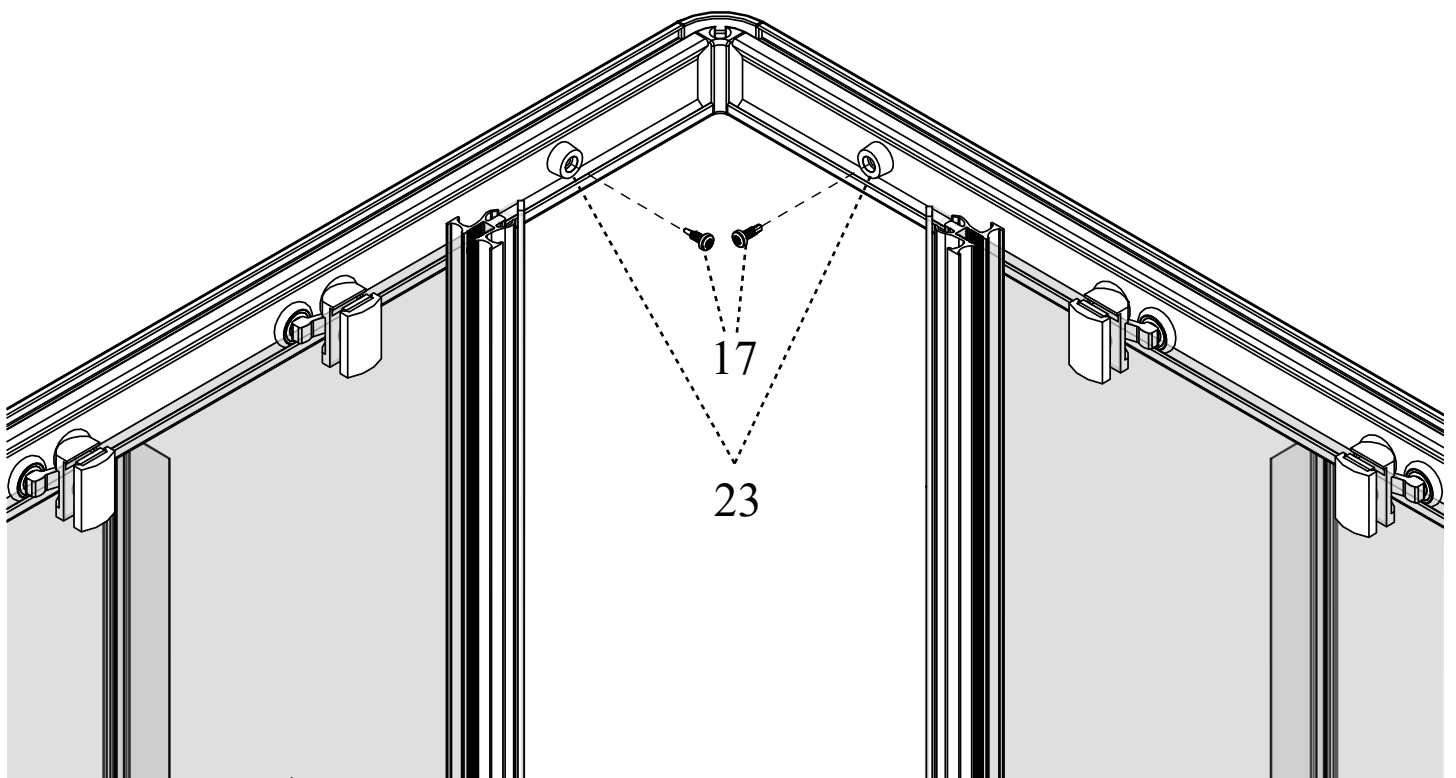
3.6



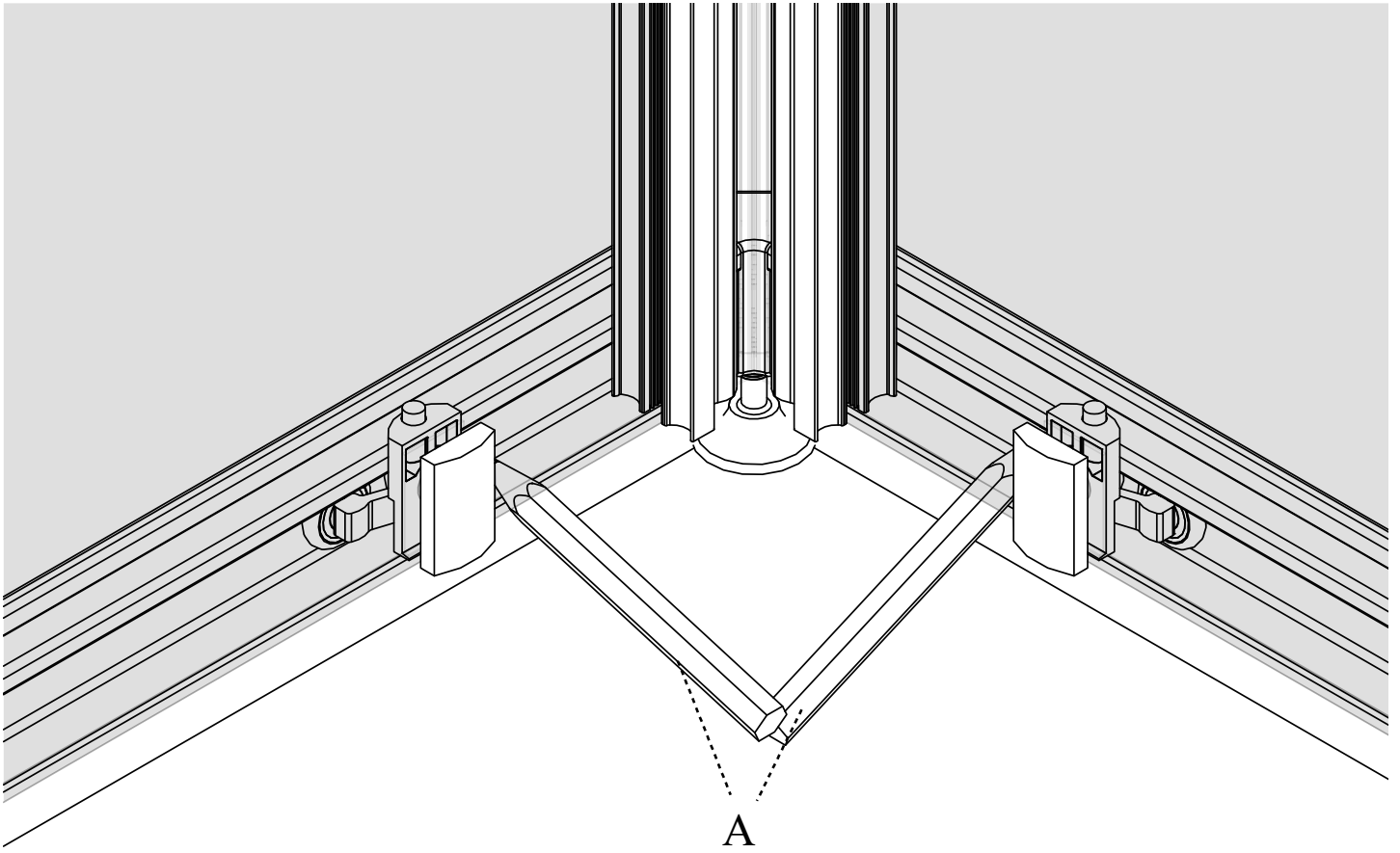
3.7



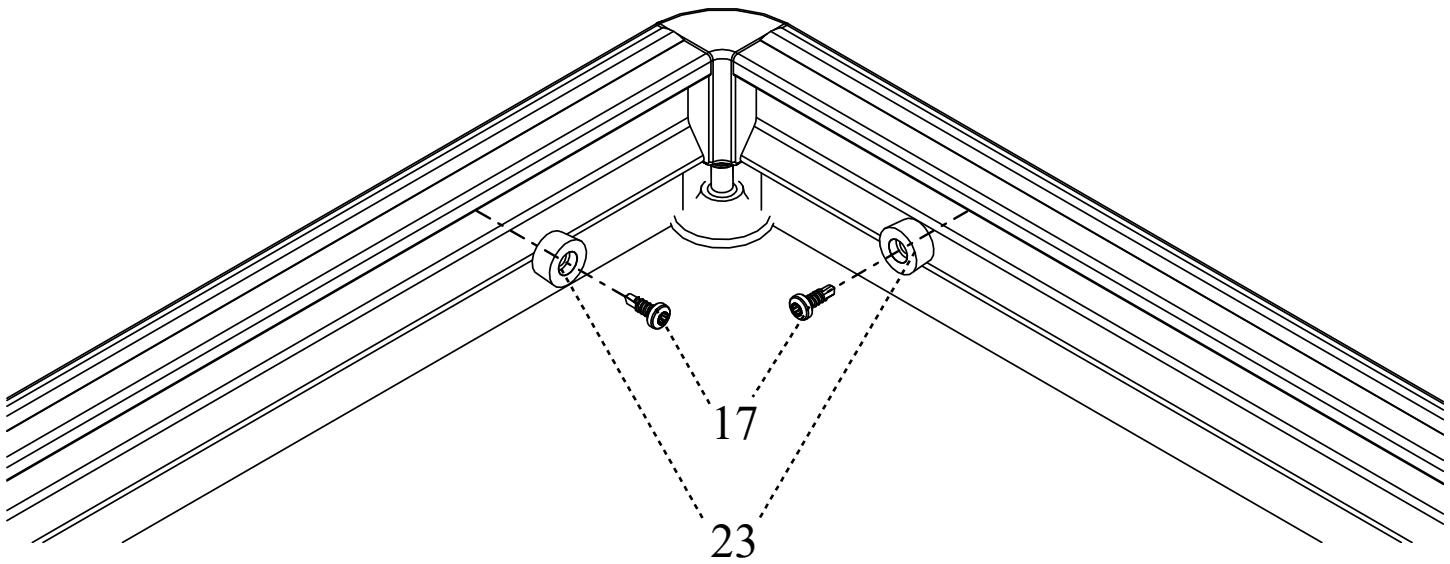
3.8



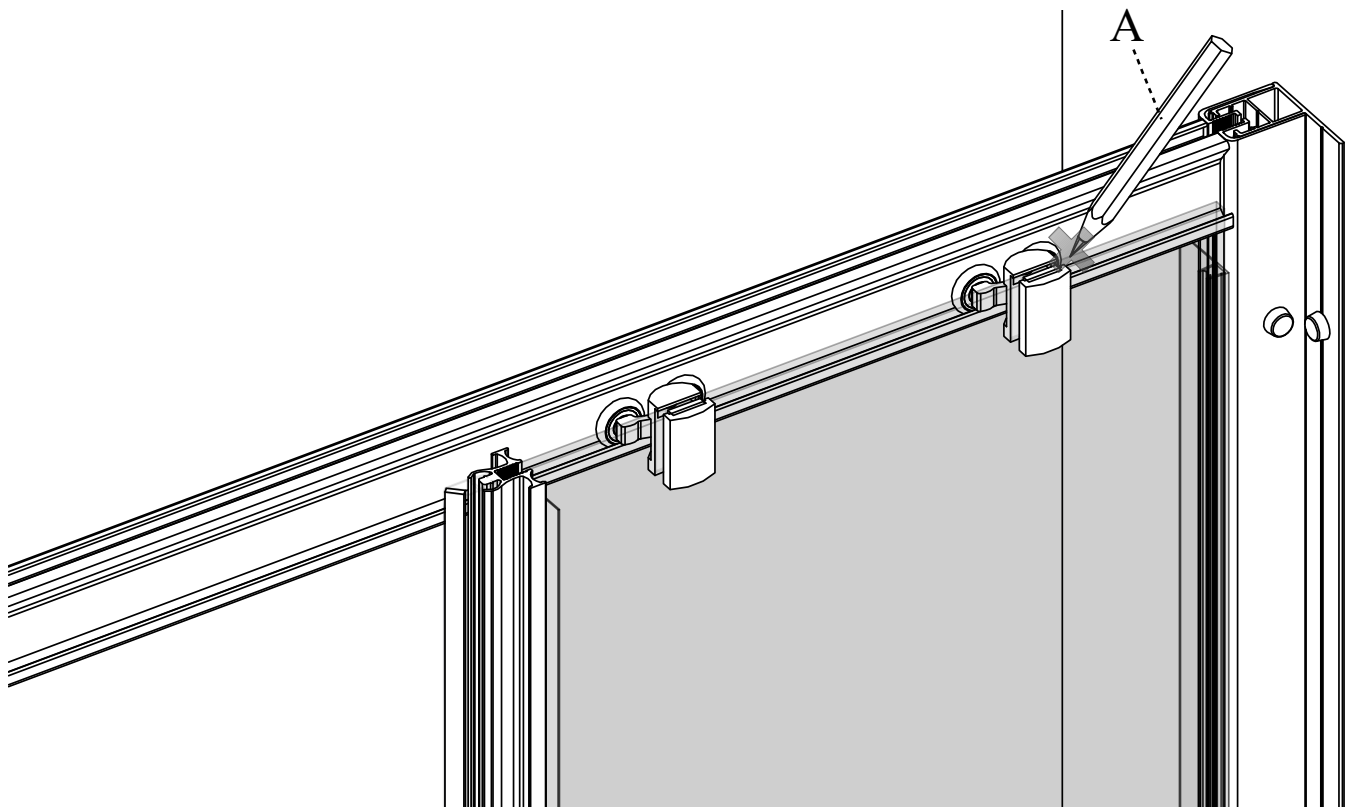
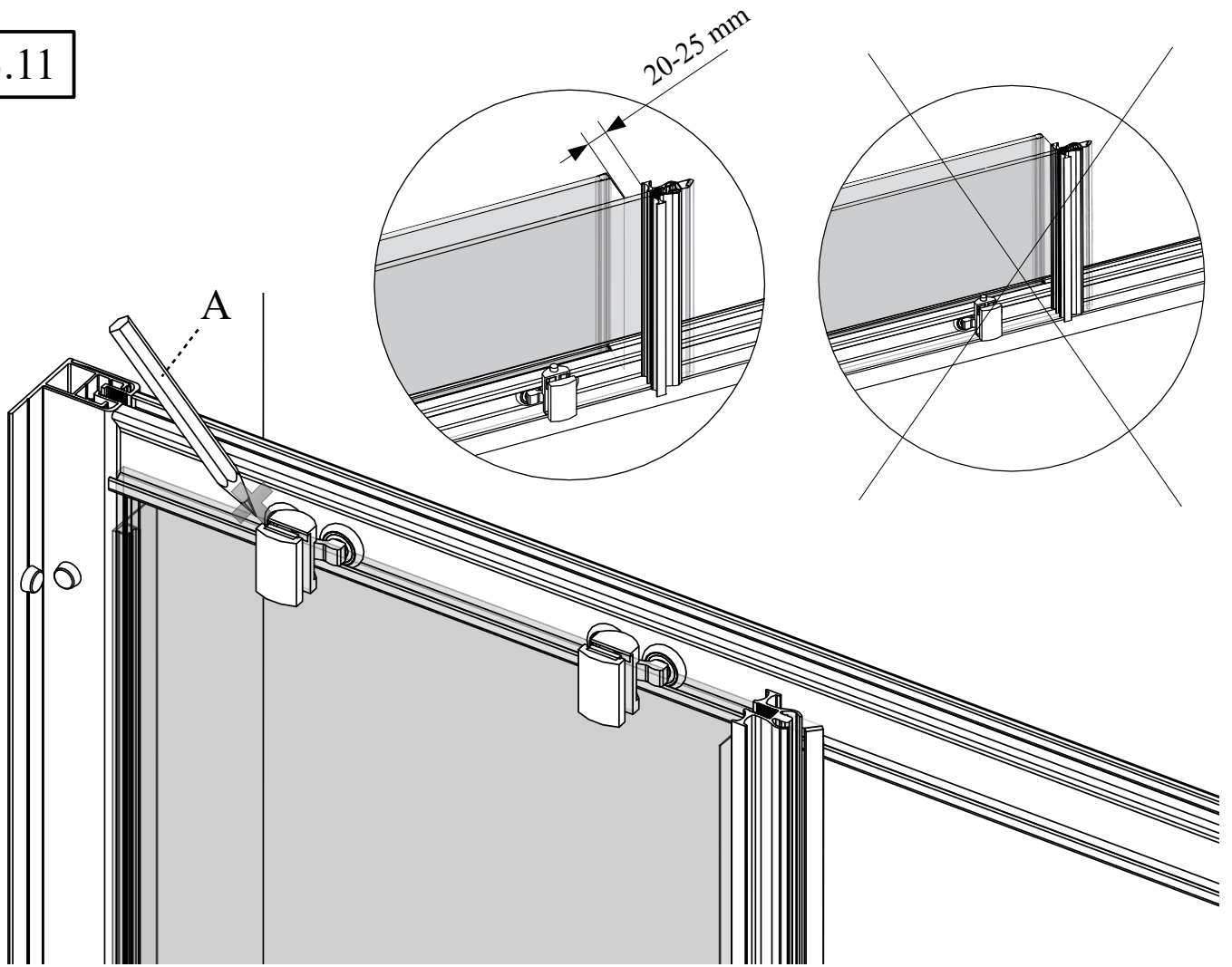
3.9



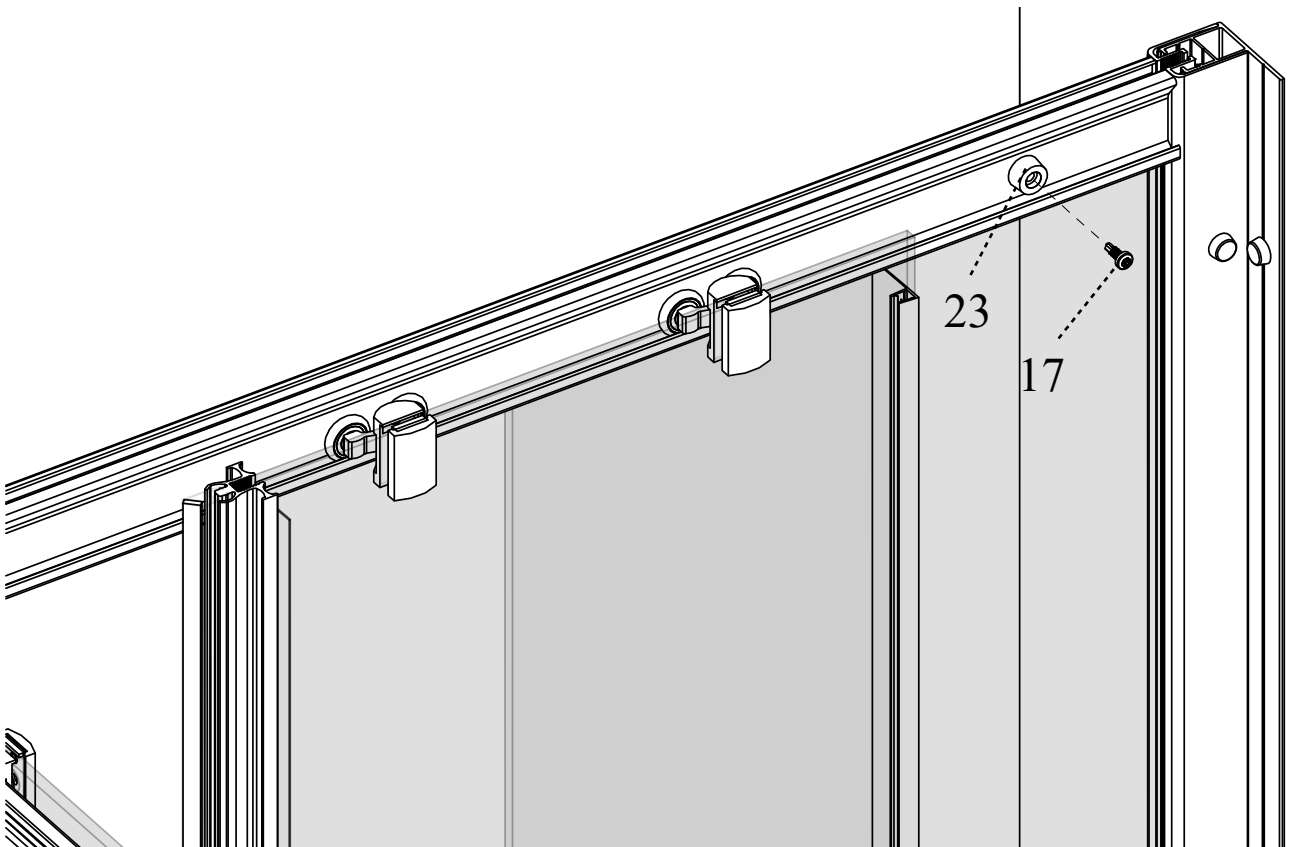
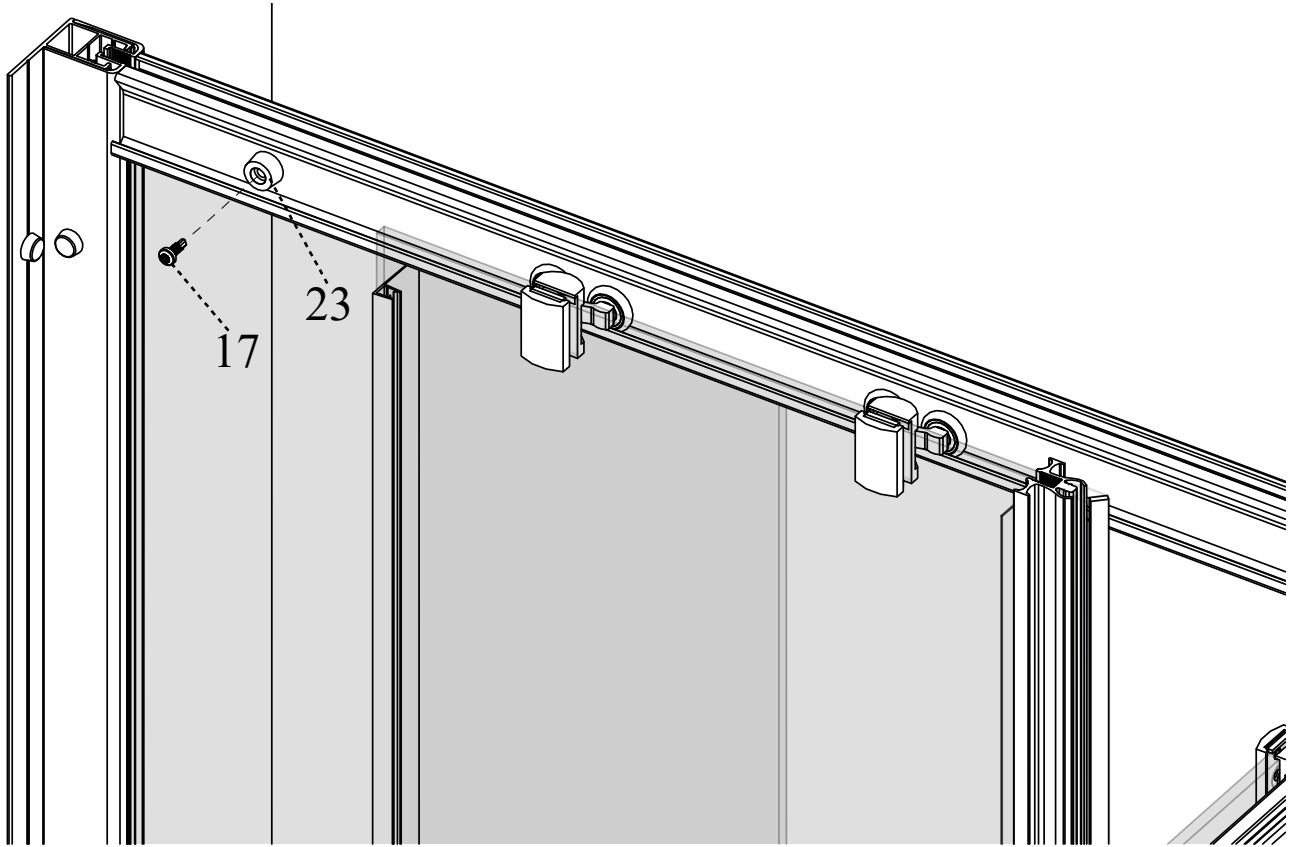
3.10



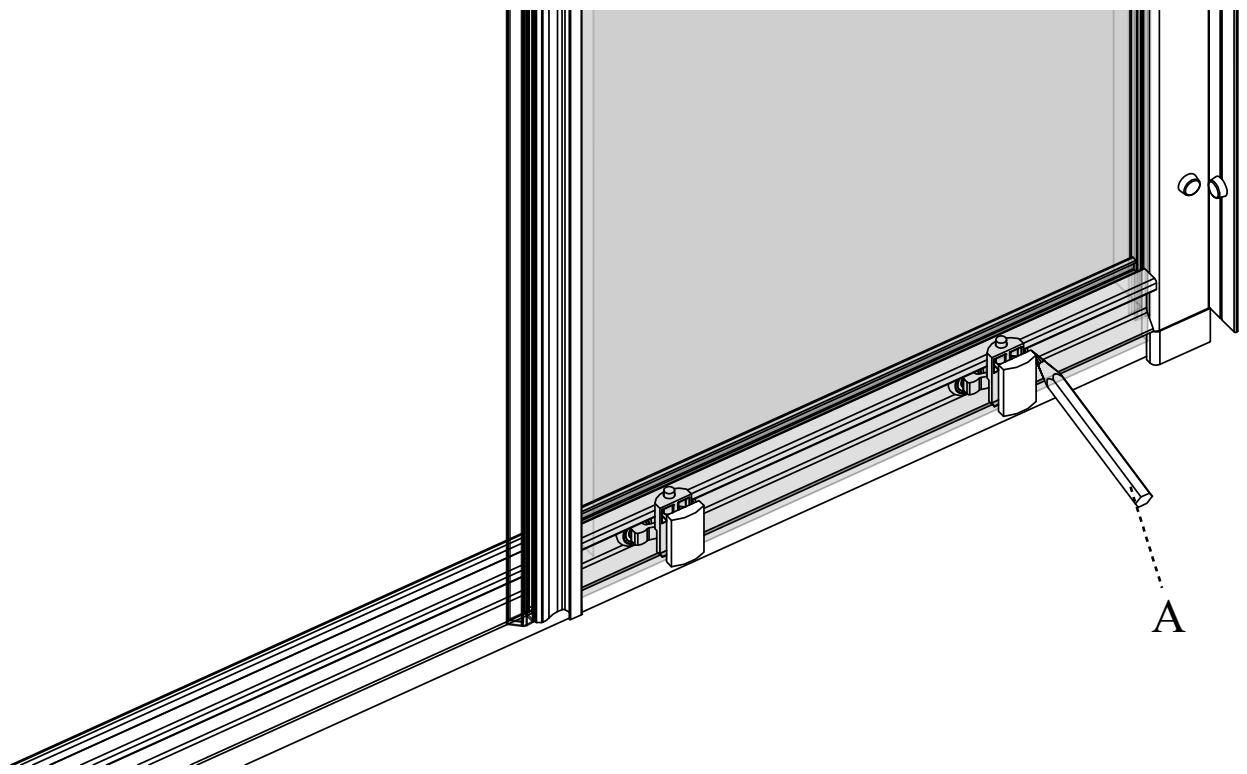
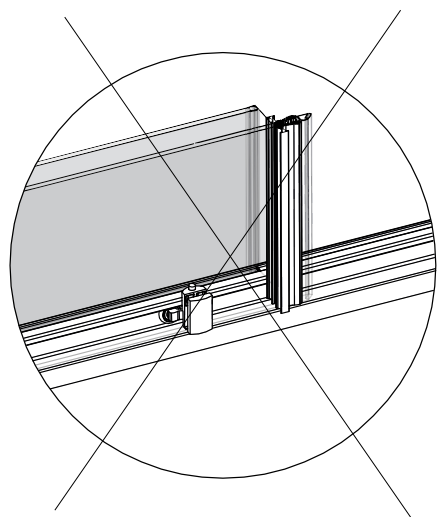
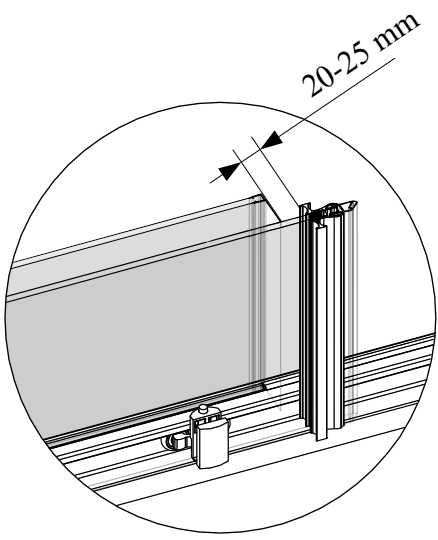
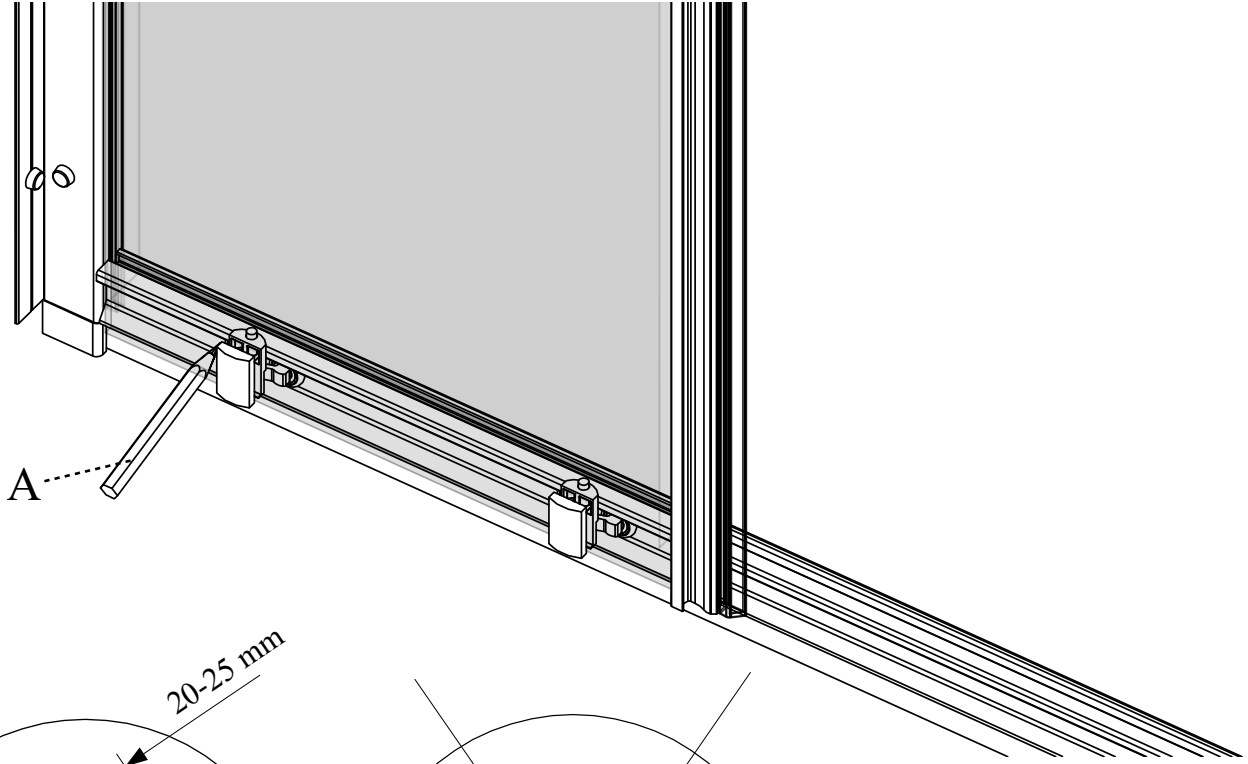
3.11



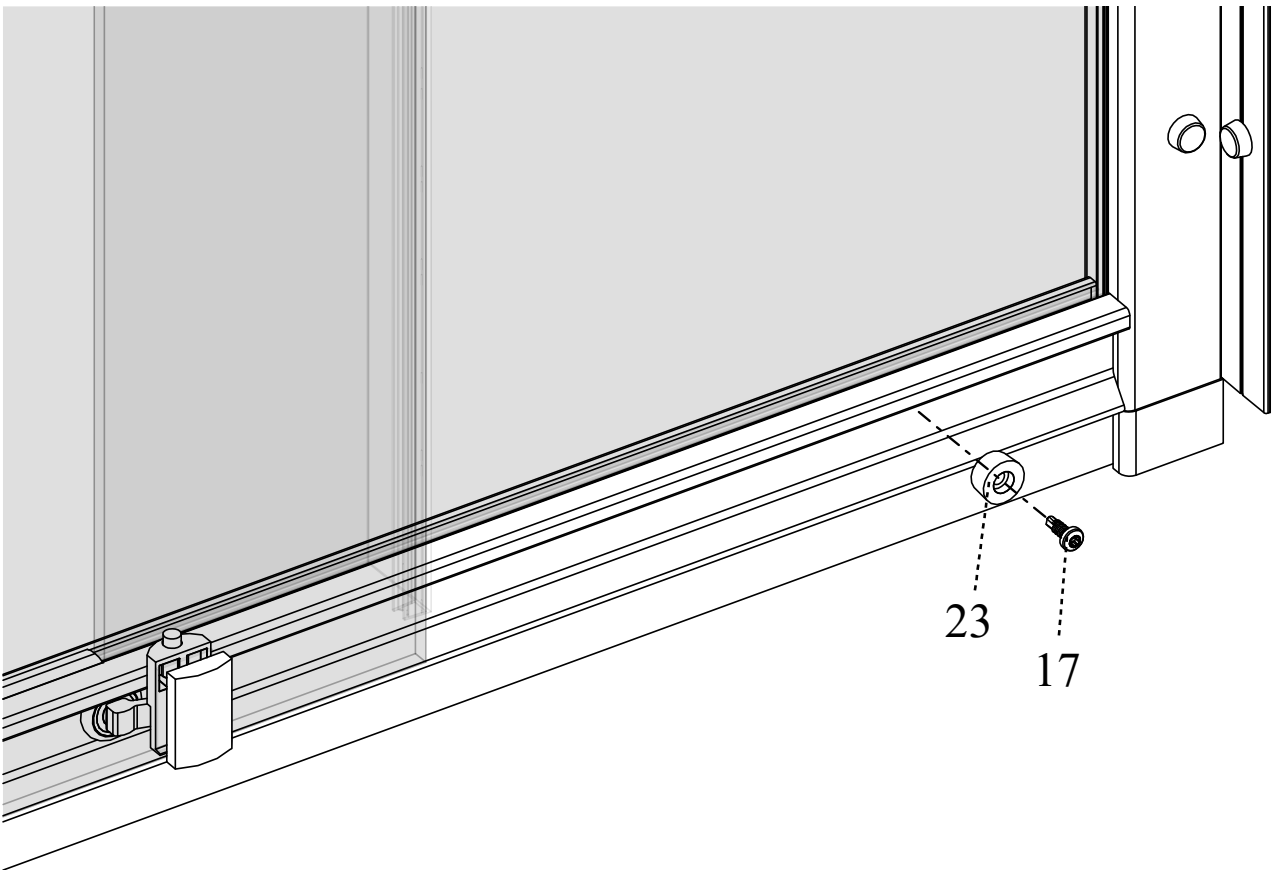
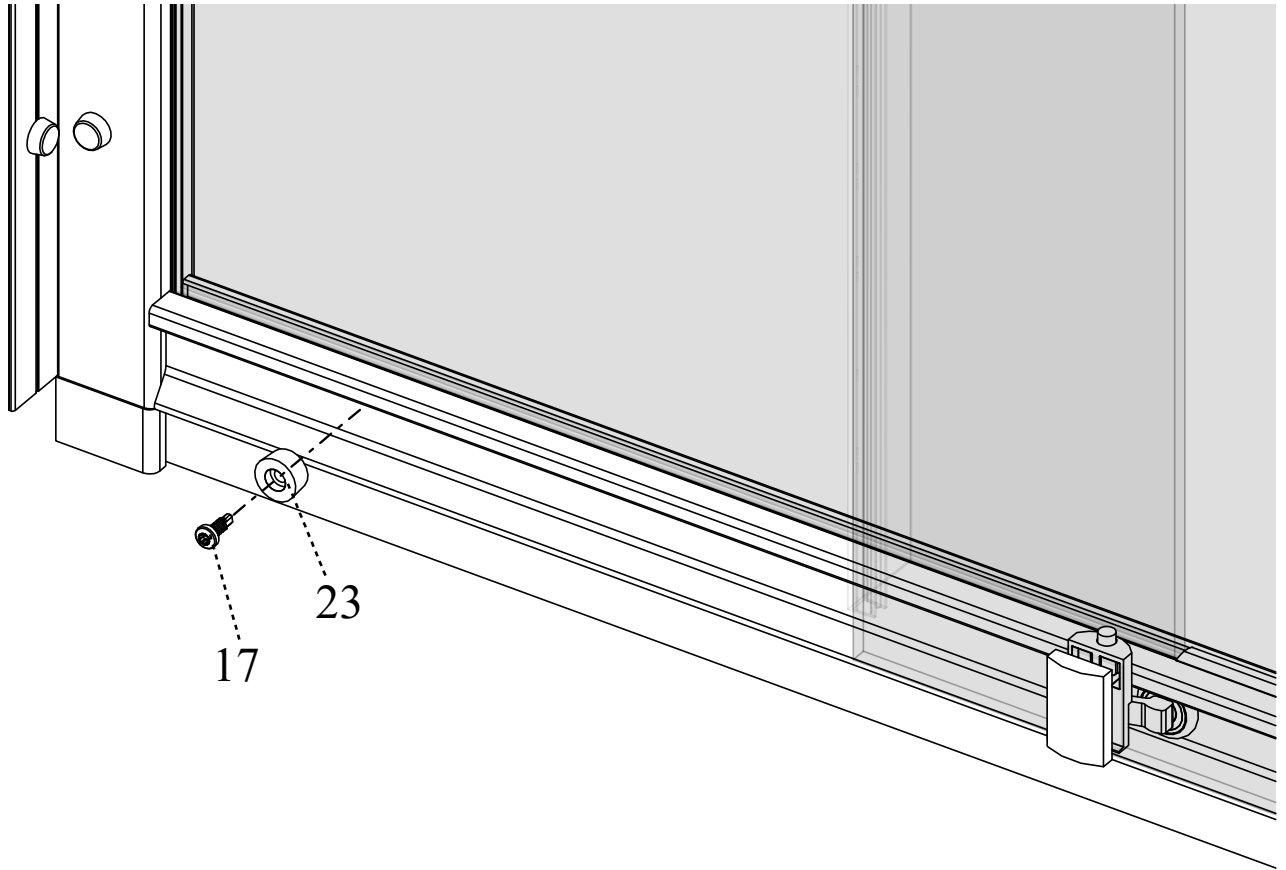
3.12



3.13



3.14



3.15

