

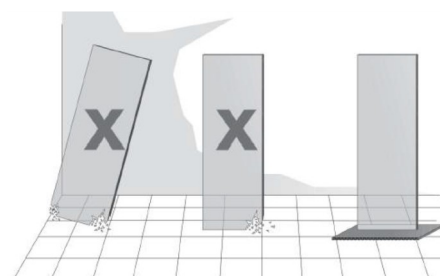
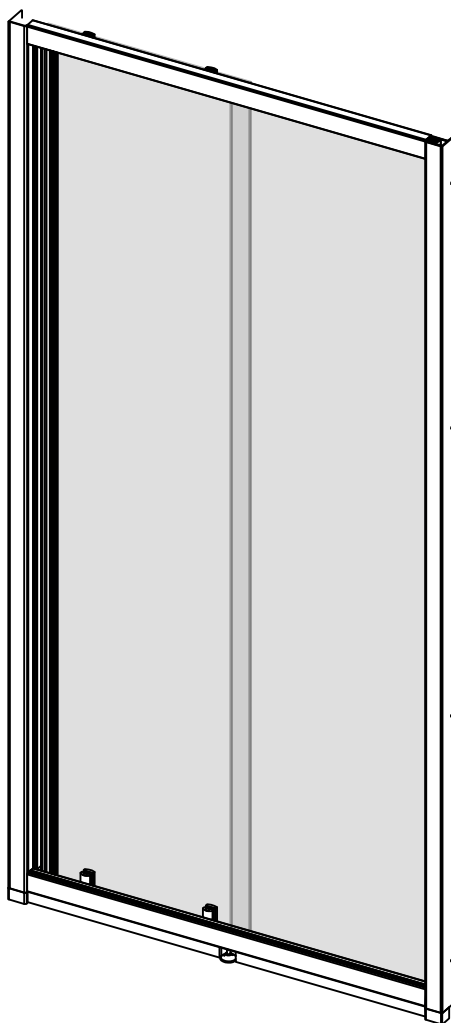


HIETAKARI®

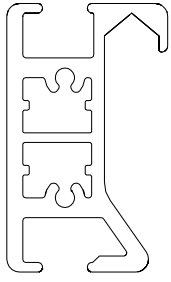


8/25 75RLM

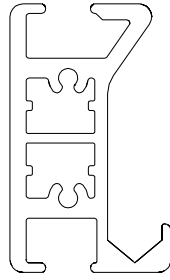
# INFINIA 452



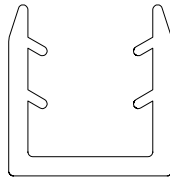
# Parts



1. x1

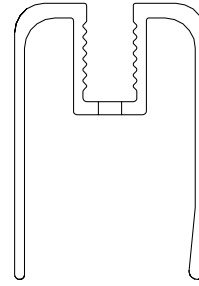


2. x1



3. x2

1/41 E0RLM

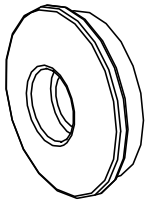


4. x1



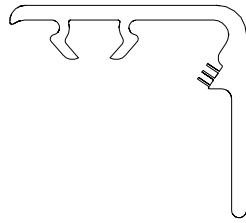
4/83 11RLM

5. 3.5x39 mm



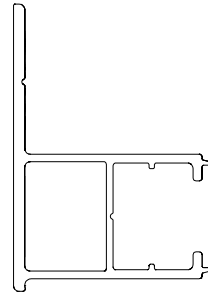
4/83 42RLM

6. x8

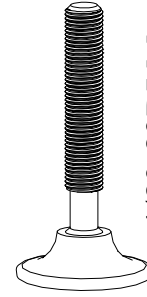


1/42 M0RLM

7. x1

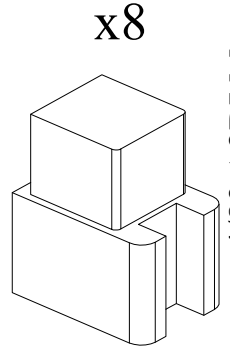


8. x2



4/83 83RLM

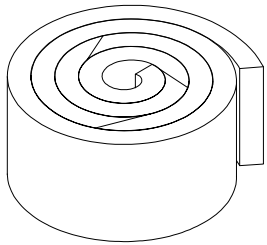
9. x1



x8

4/83 A2RLM

10. x2



4/83 61RLM

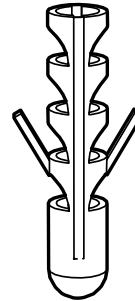
11. x1



4/83 31RLM

12. 4.5x44 mm

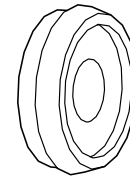
x8



4/83 13RLM

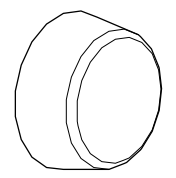
13. 6x30 mm

x8



4/83 22RLM

14. x16



4/83 23RLM

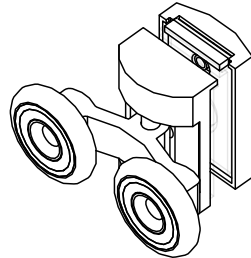
15. x16



4/83 24RLM

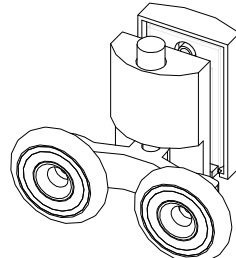
16. 4.2x13 mm

x12



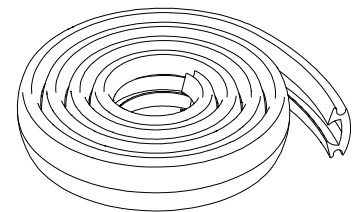
4/83 70RL1

17. x2



4/83 70RL2

18. x2



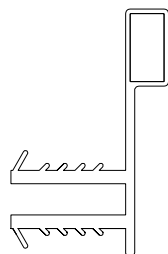
4/83 52RLM

19. x1



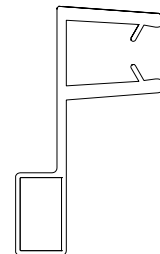
1/42 10RLM

20. x2



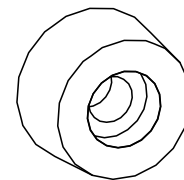
1/42 N0RLM

21. x1



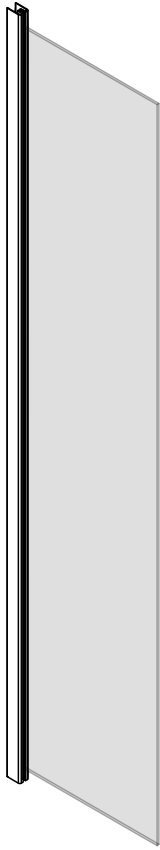
1/42 N0RLM

22. x1



4/83 30RLM

23. x4

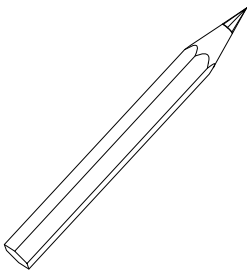


24. x1

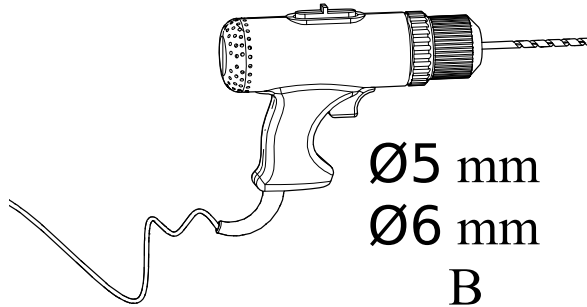


25. x1

# Tools



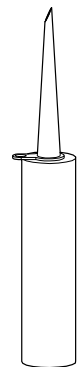
A



Ø5 mm

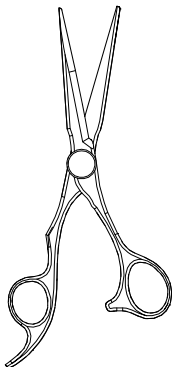
Ø6 mm

B



Silicone

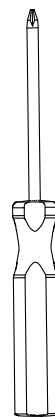
C



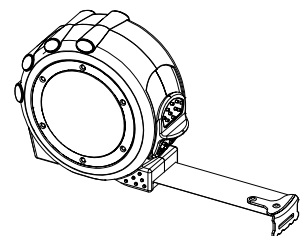
D



E

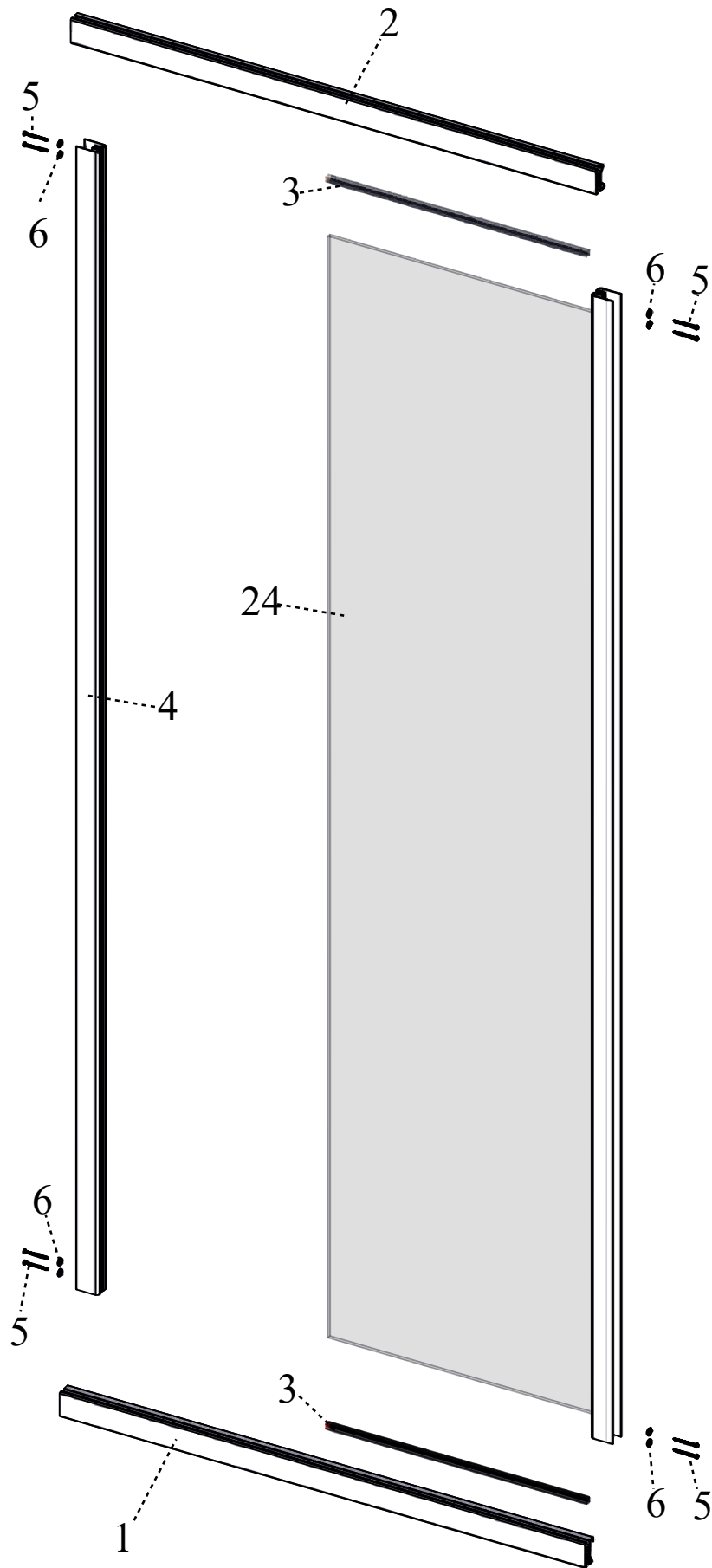


F

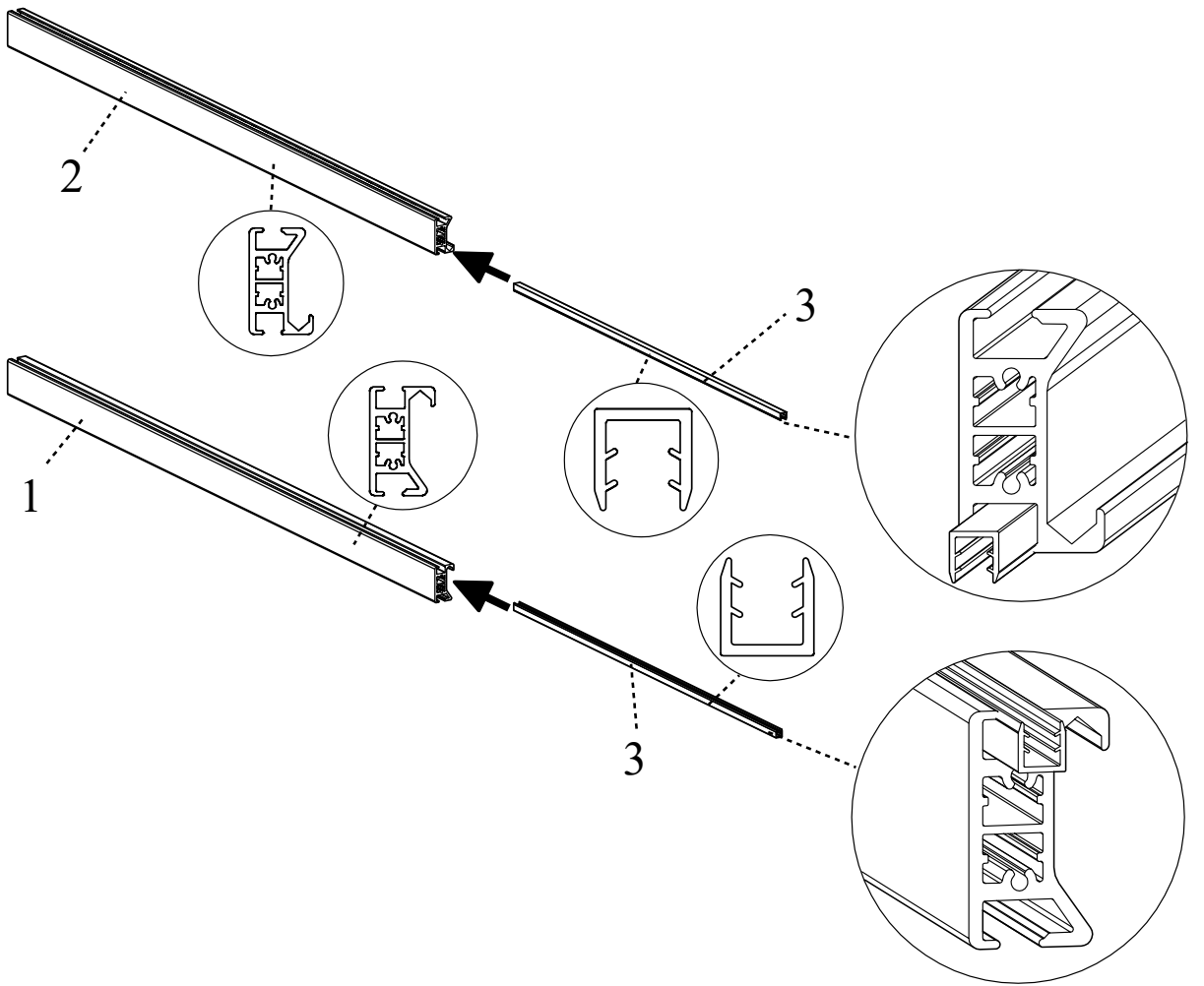


G

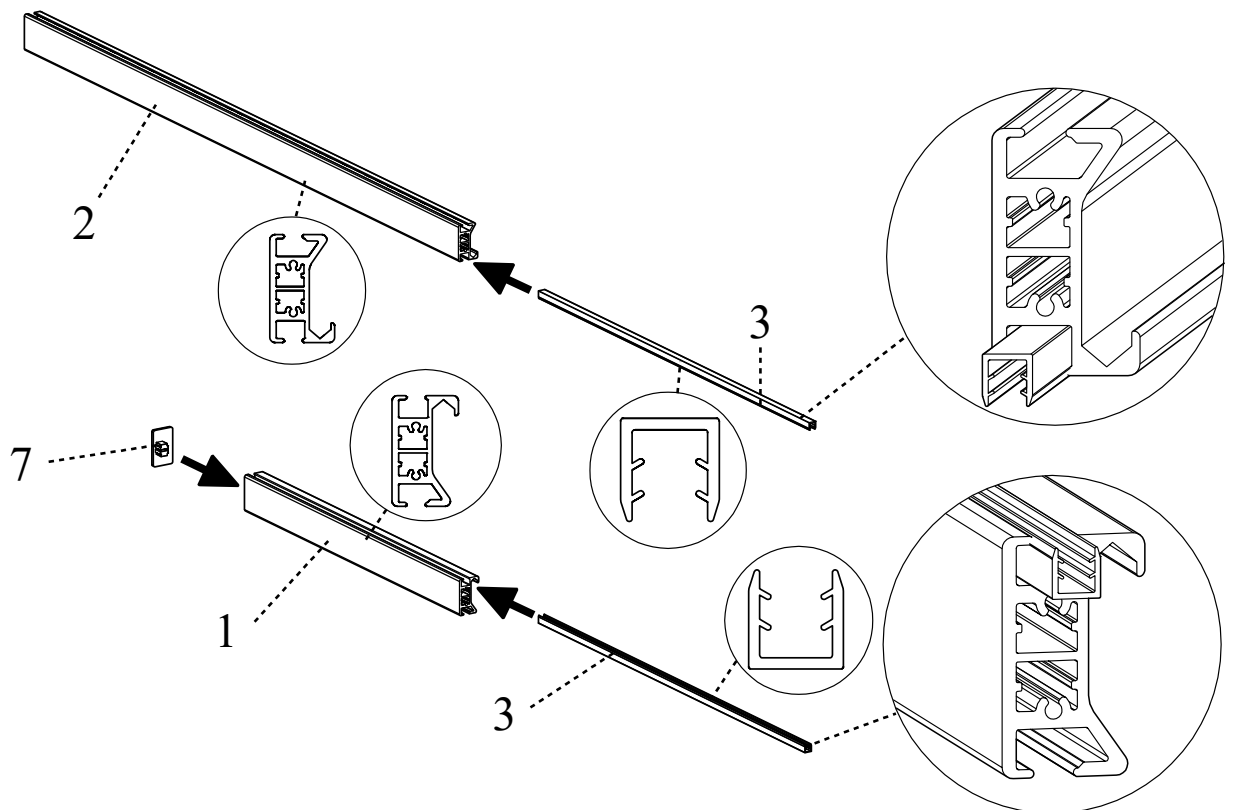
# STEP 1/3



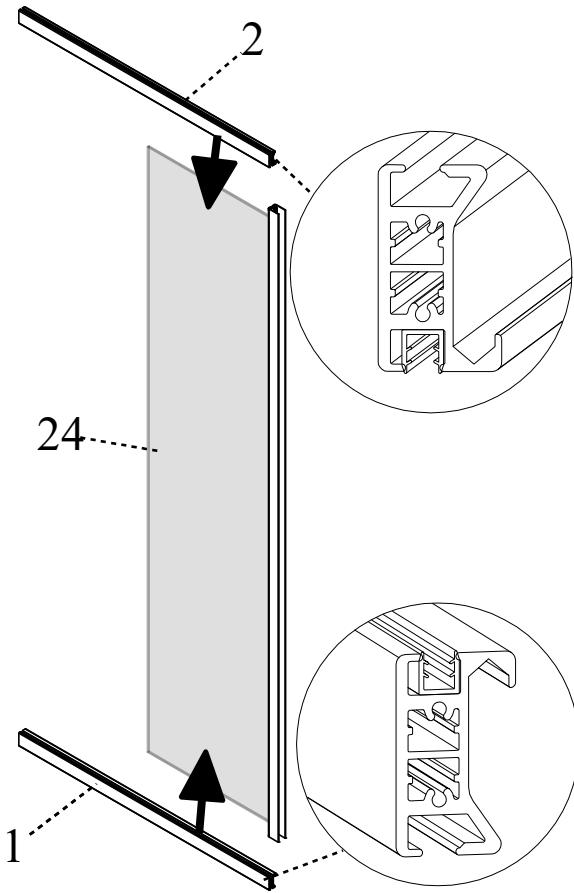
1.1A



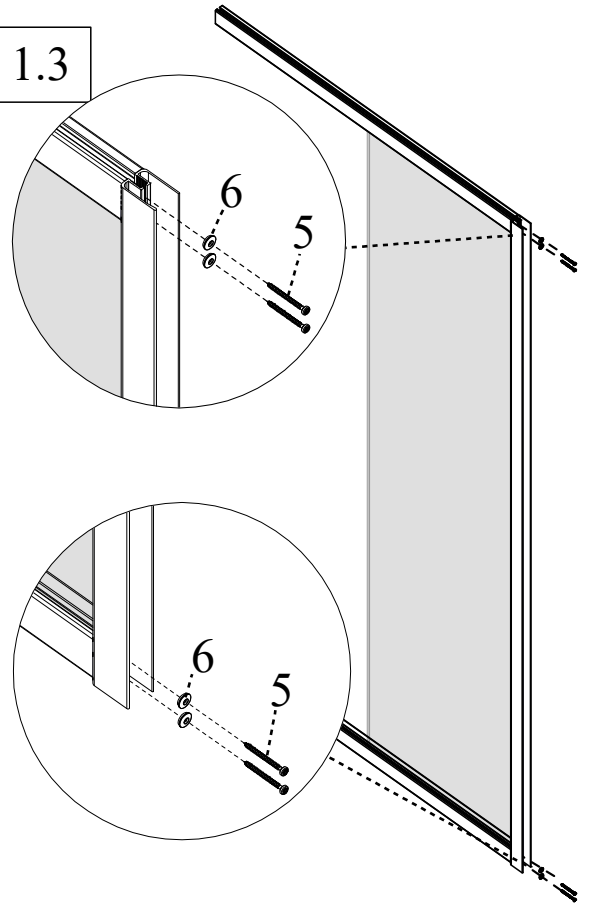
1.1B



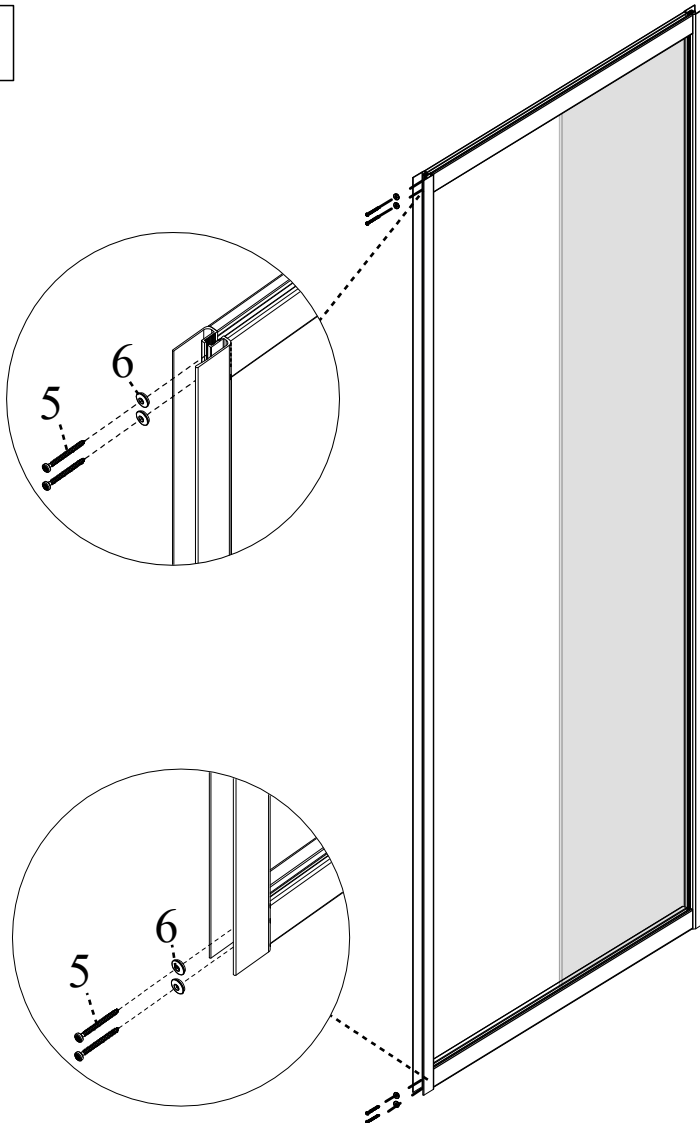
1.2



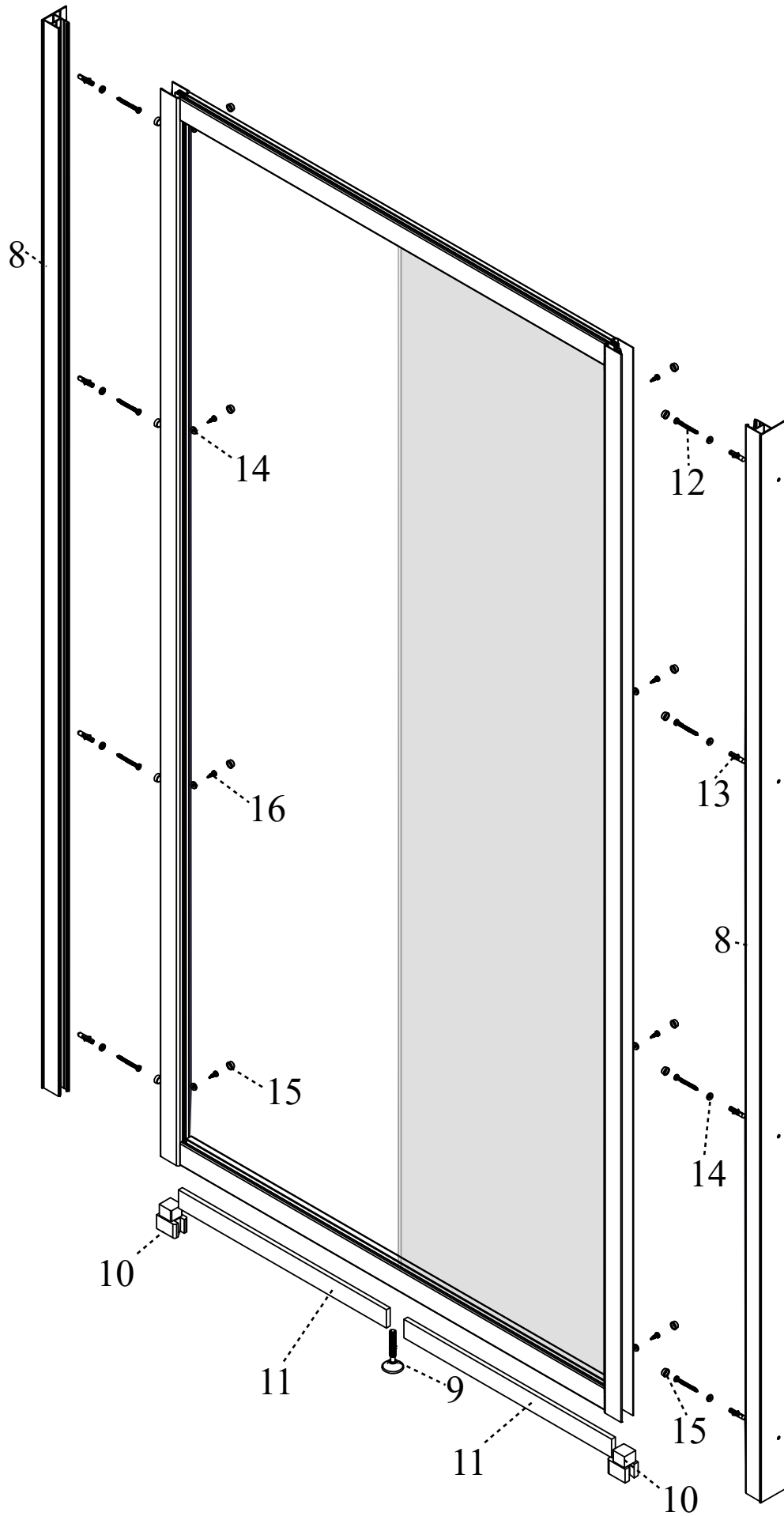
1.3

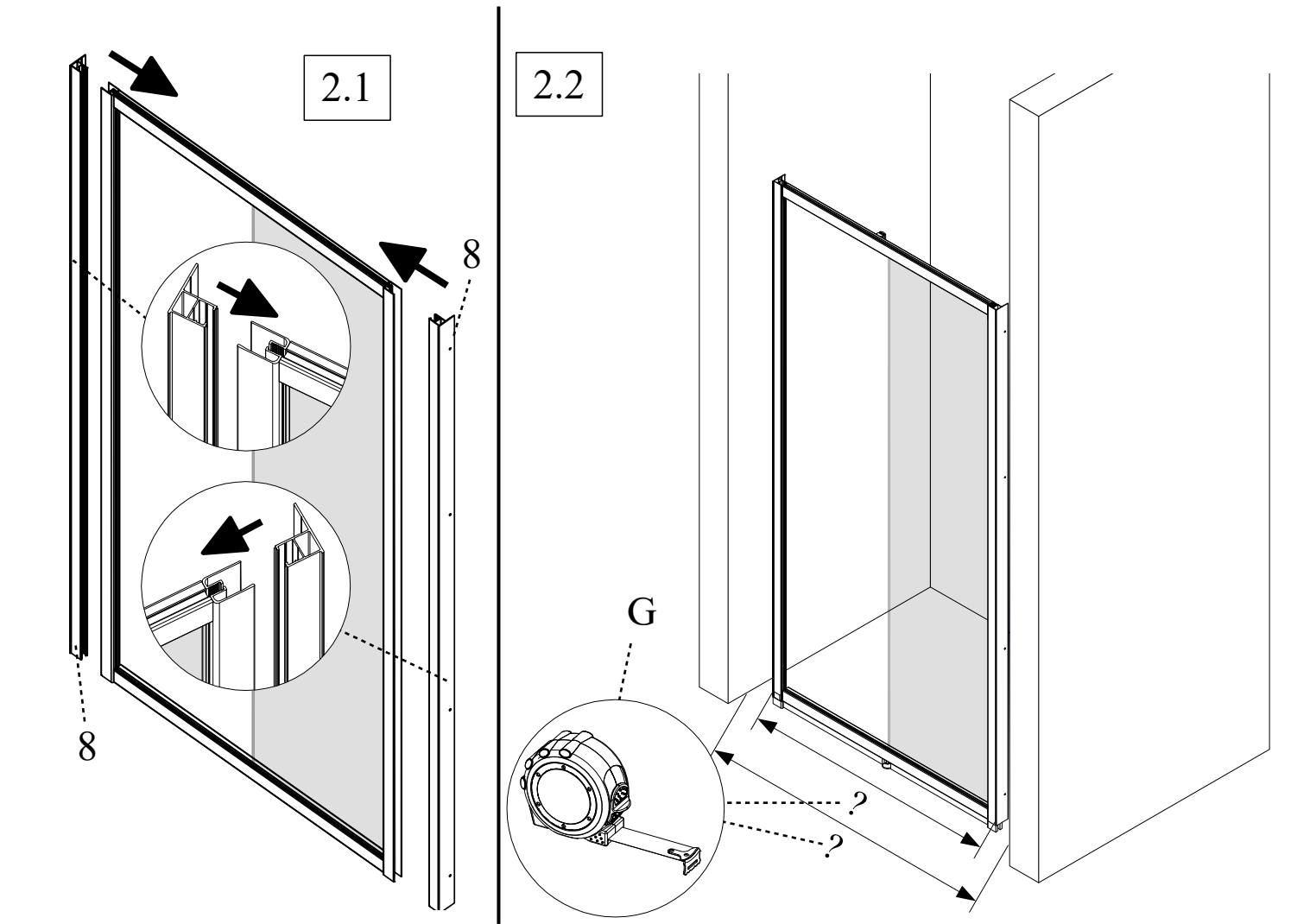


1.4A



# STEP 2/3

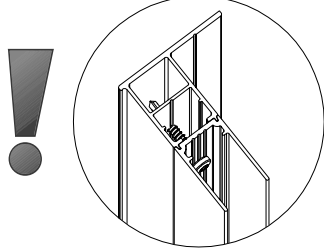
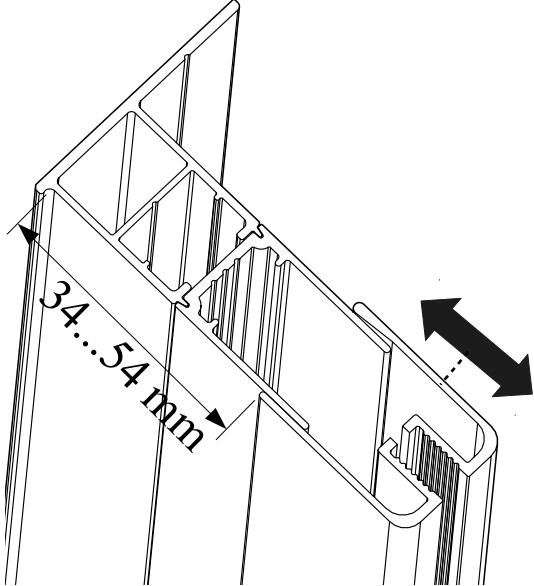
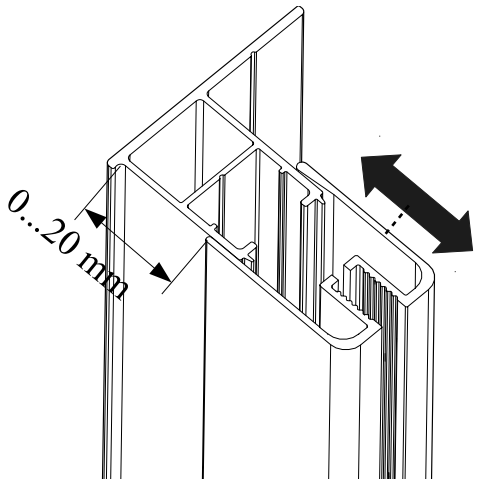




2.3

0 min...20 max

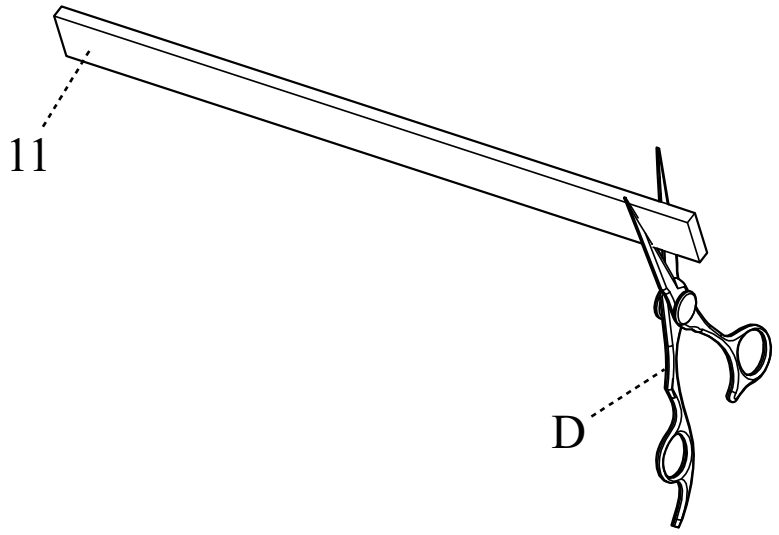
34 min...54 max



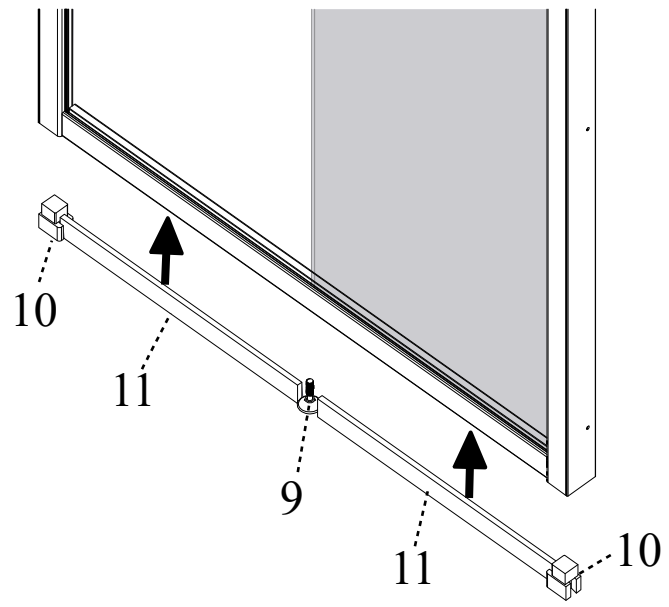
(EXTRA, Page 20-22)



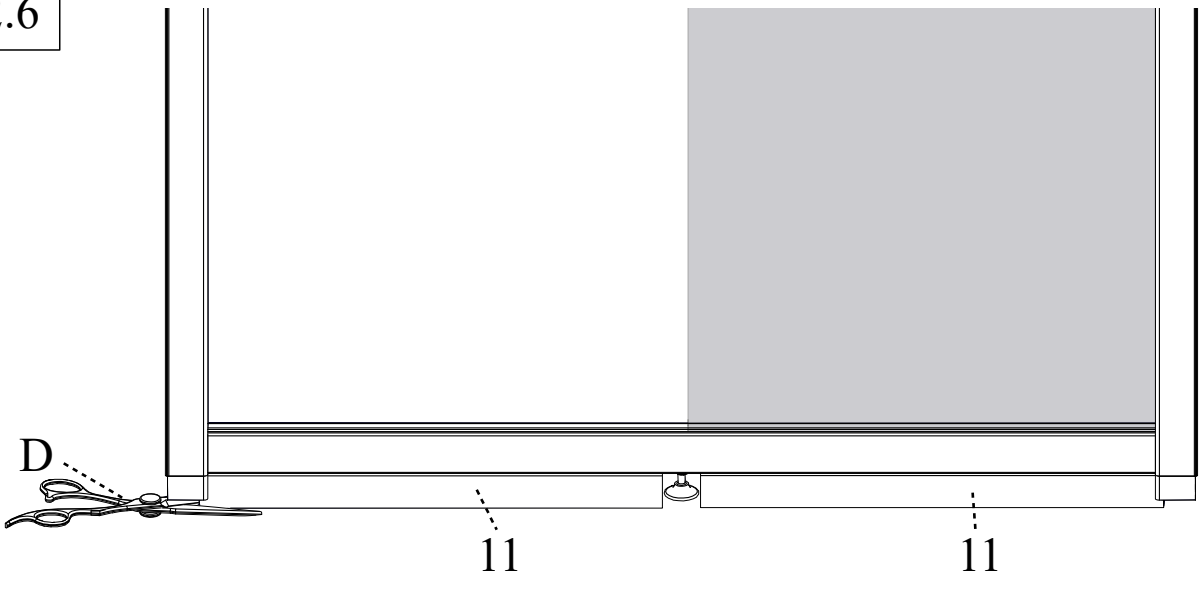
2.4



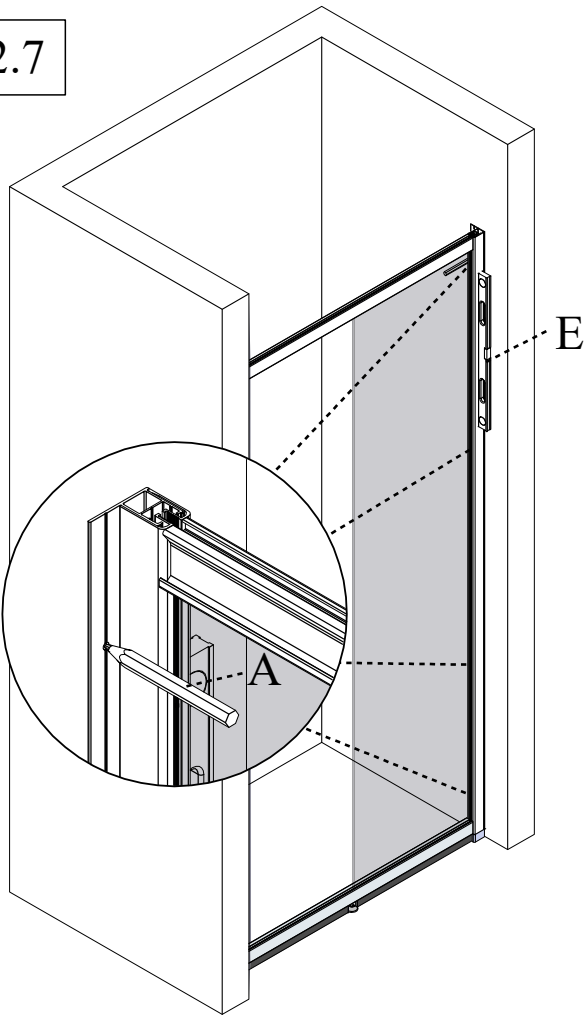
2.5



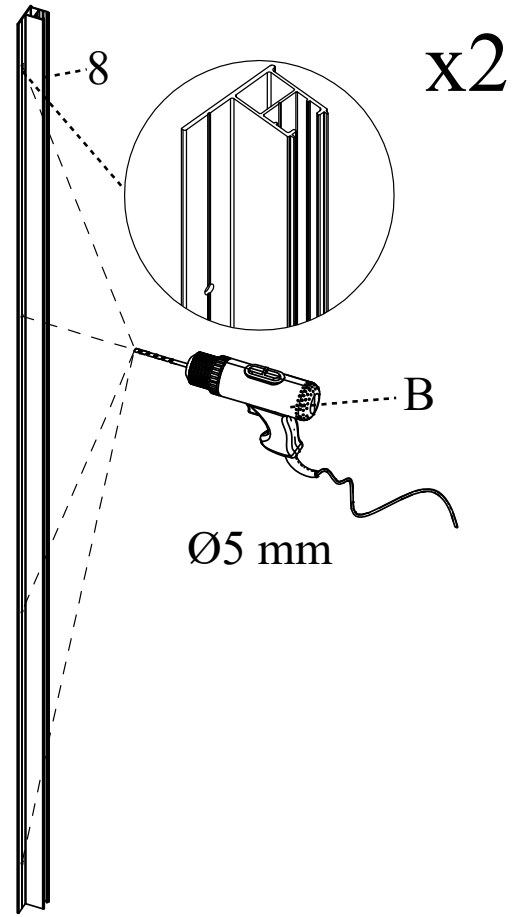
2.6



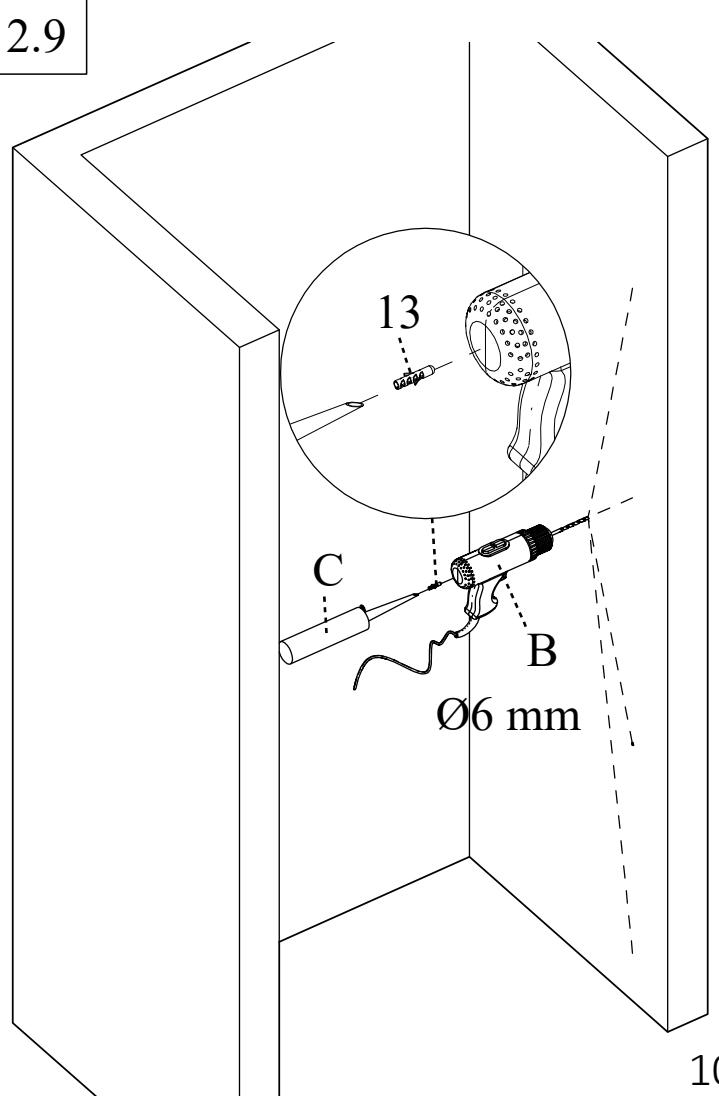
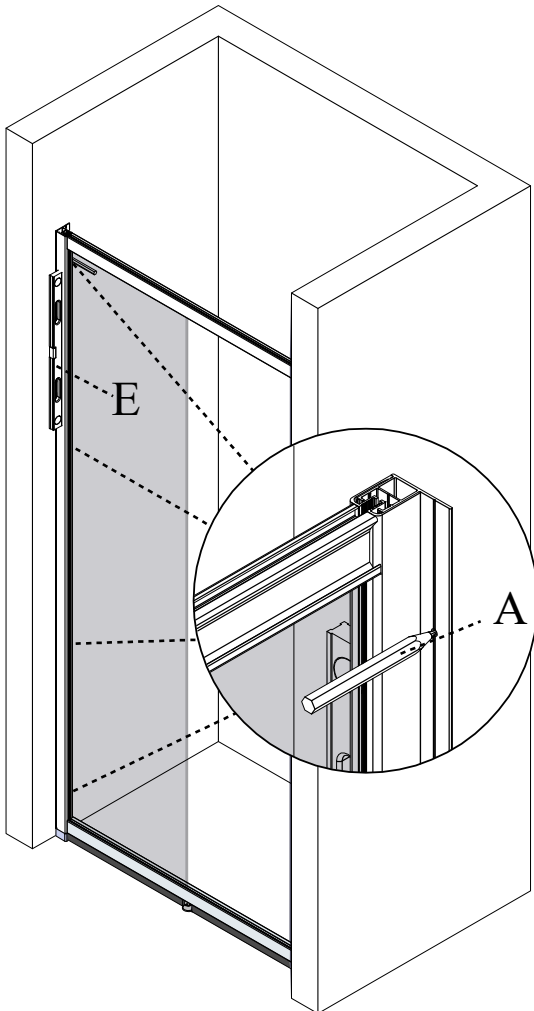
2.7



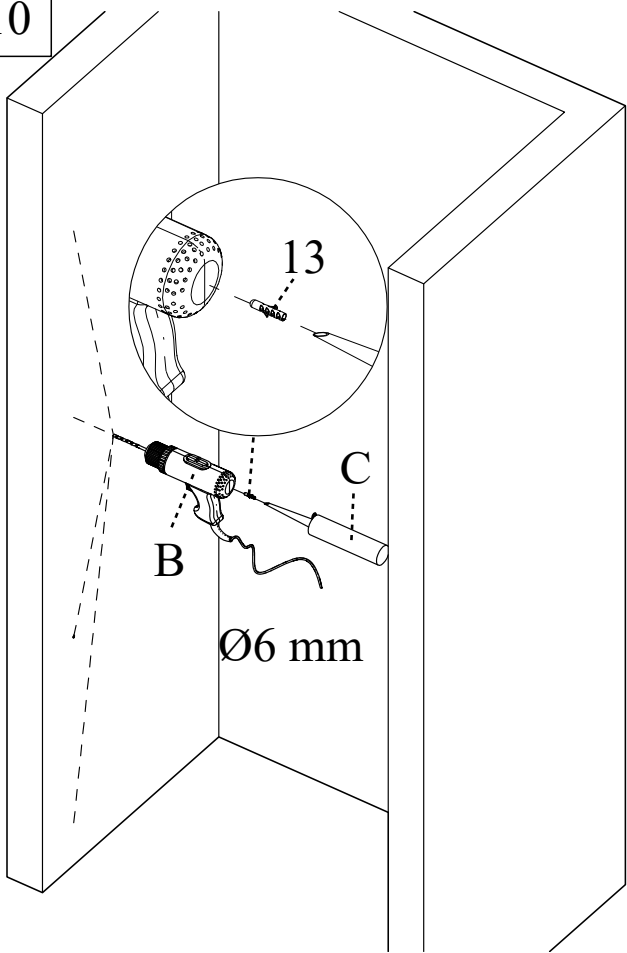
2.8



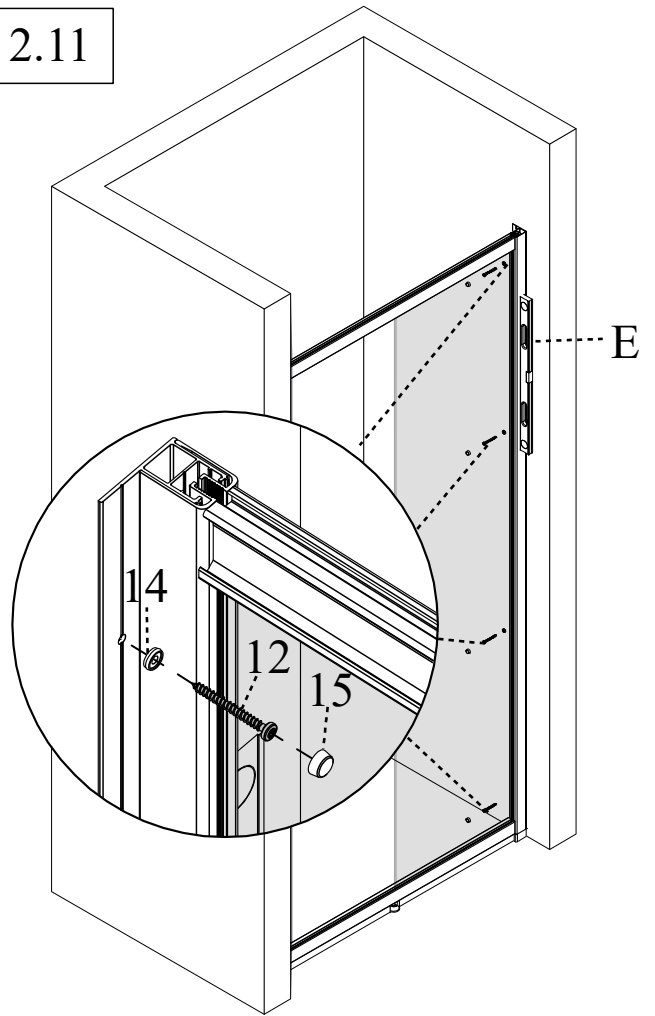
2.9



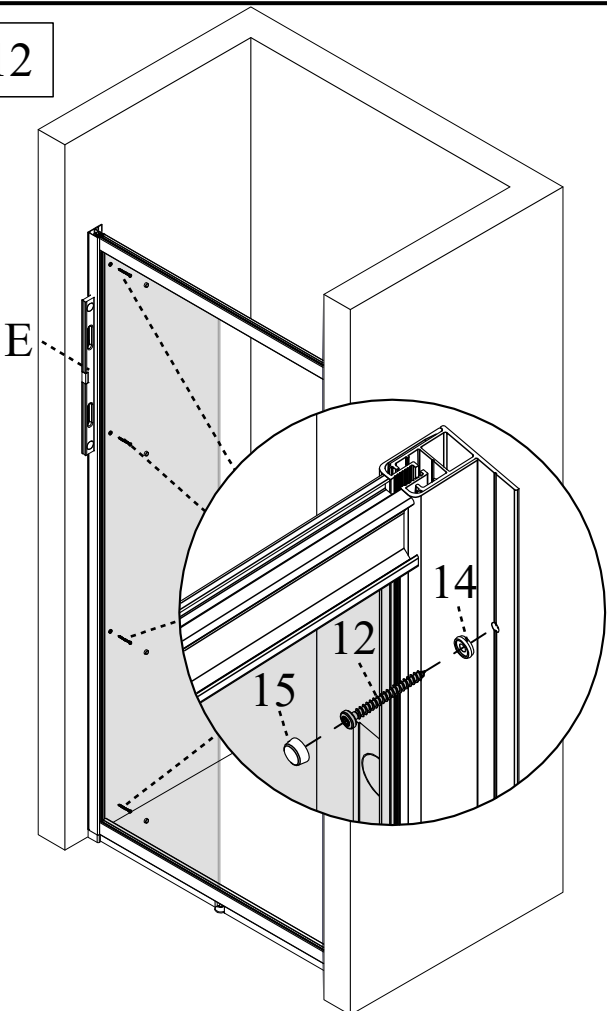
2.10



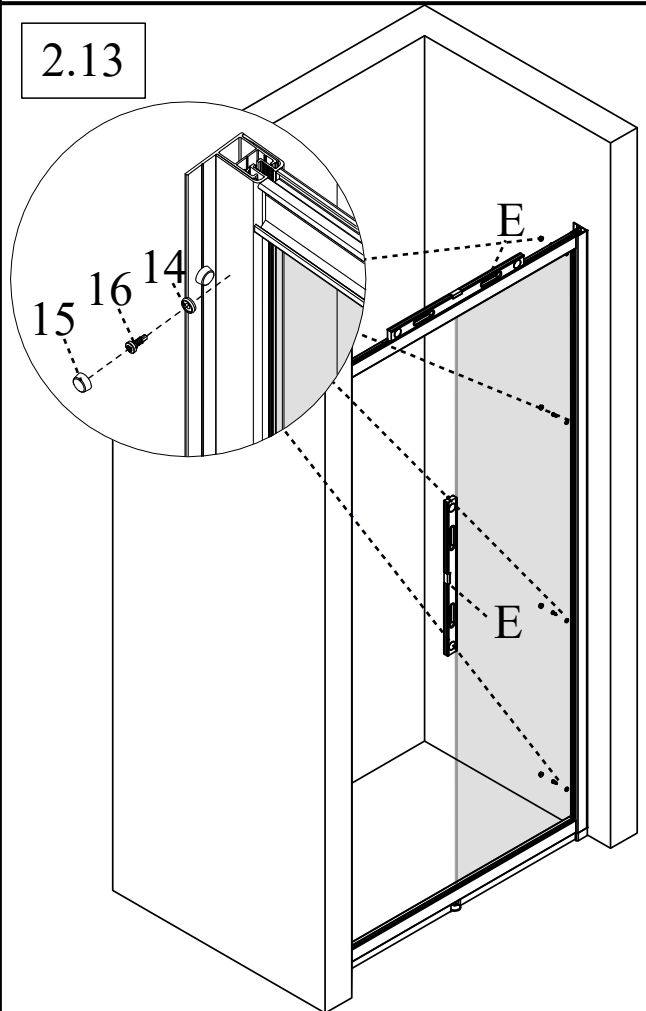
2.11

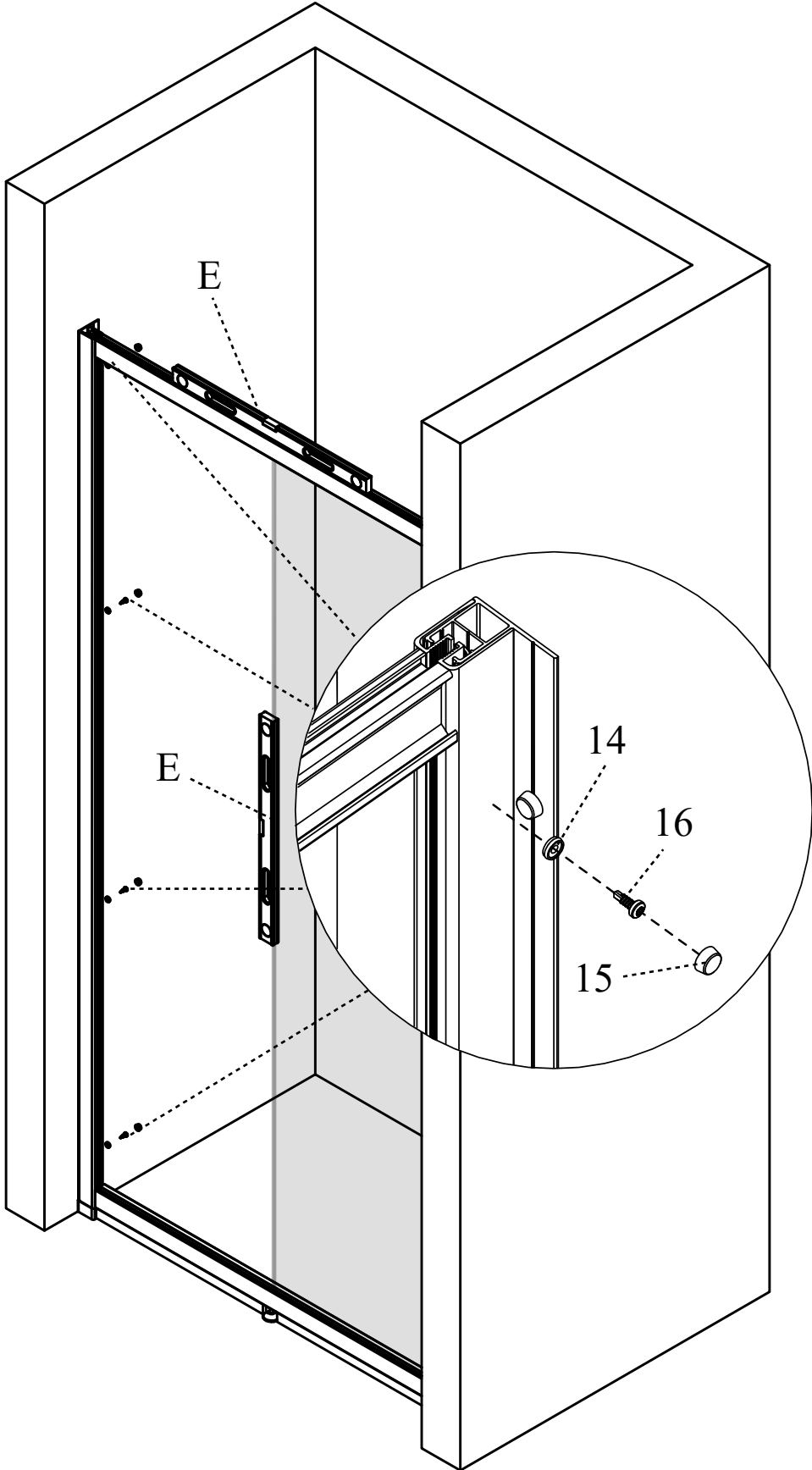


2.12

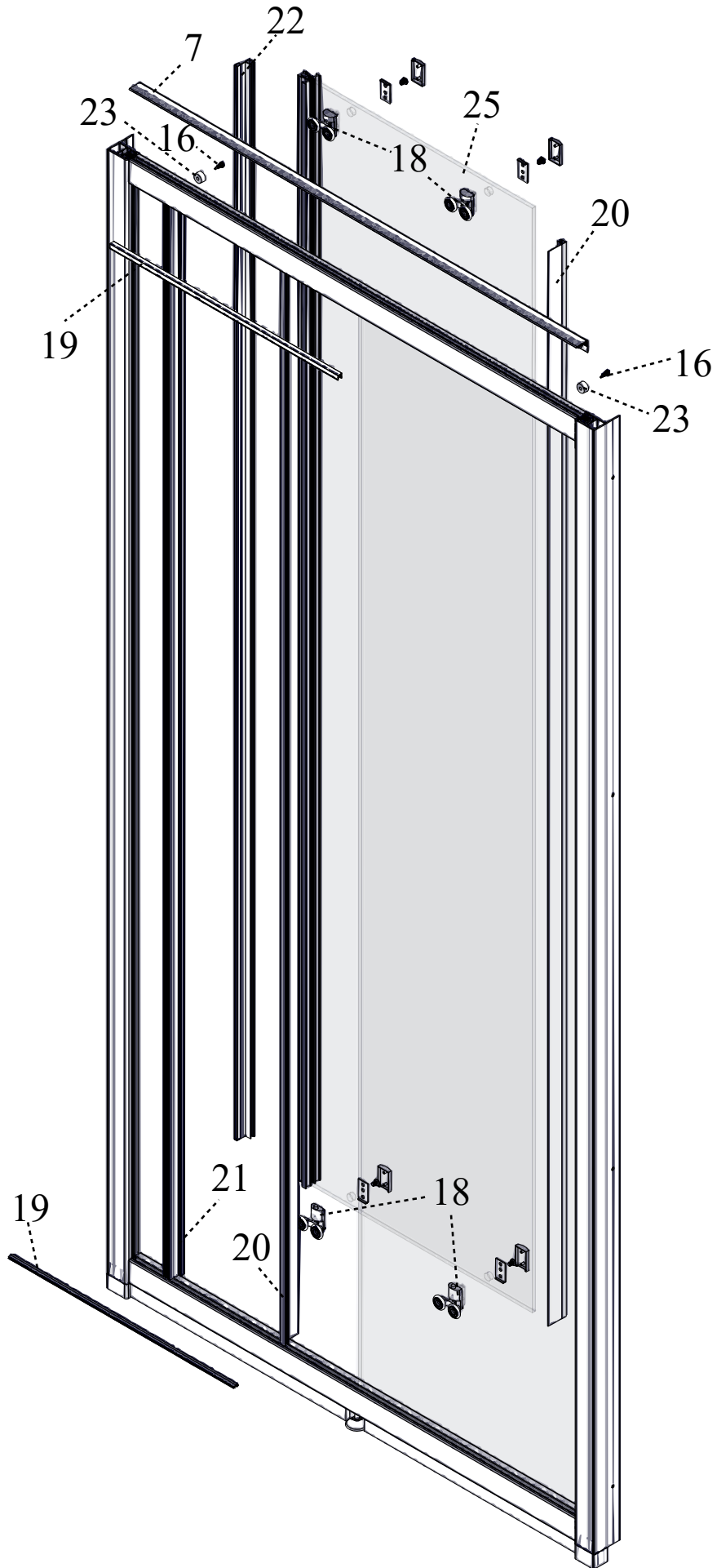


2.13

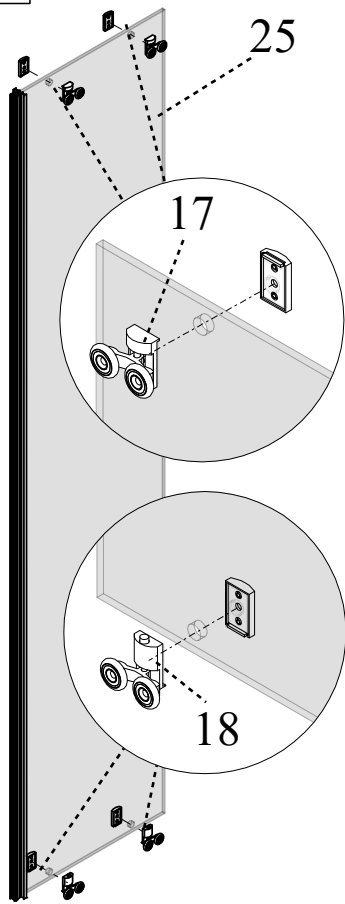




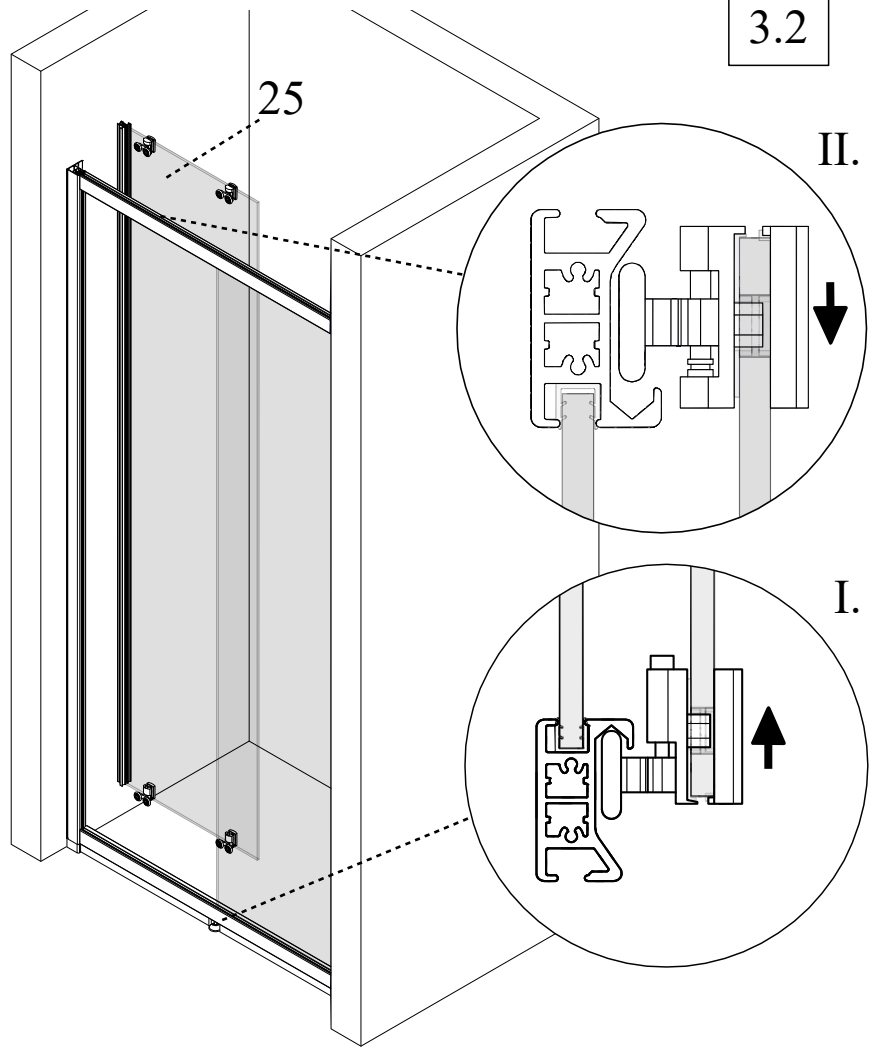
# STEP 3/3



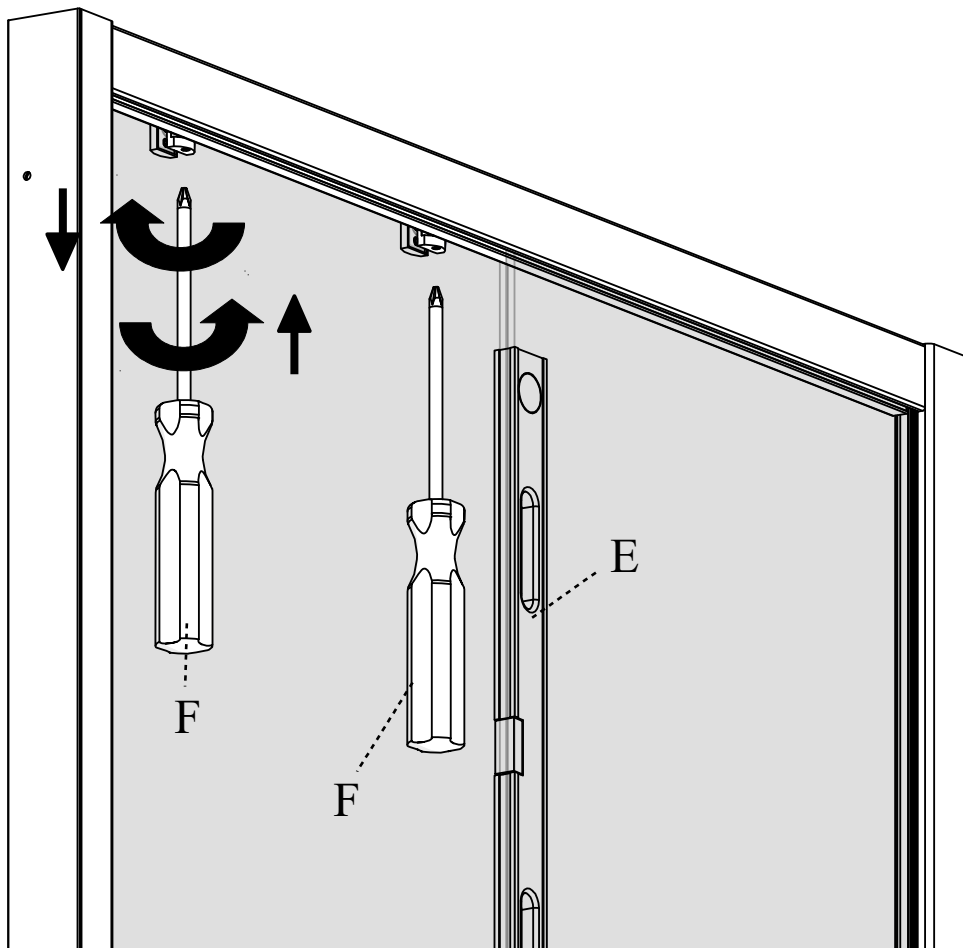
3.1

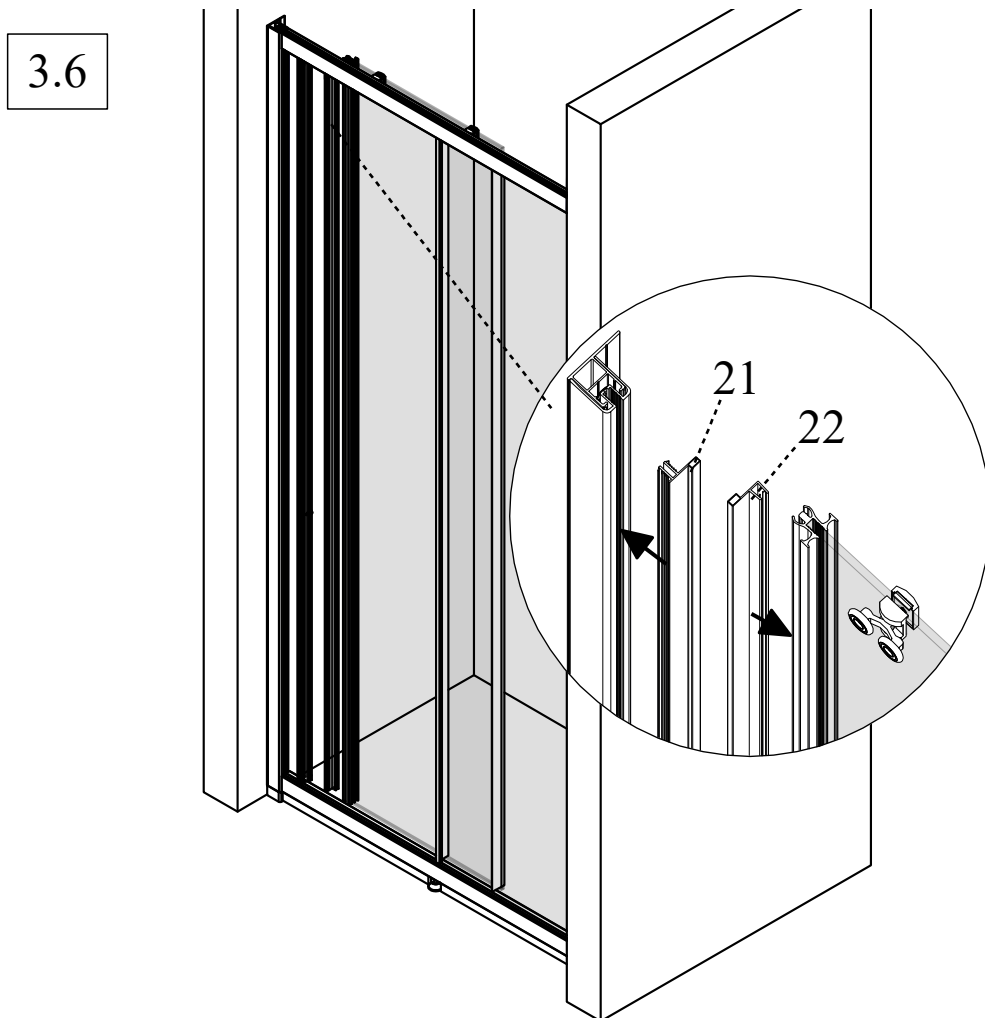
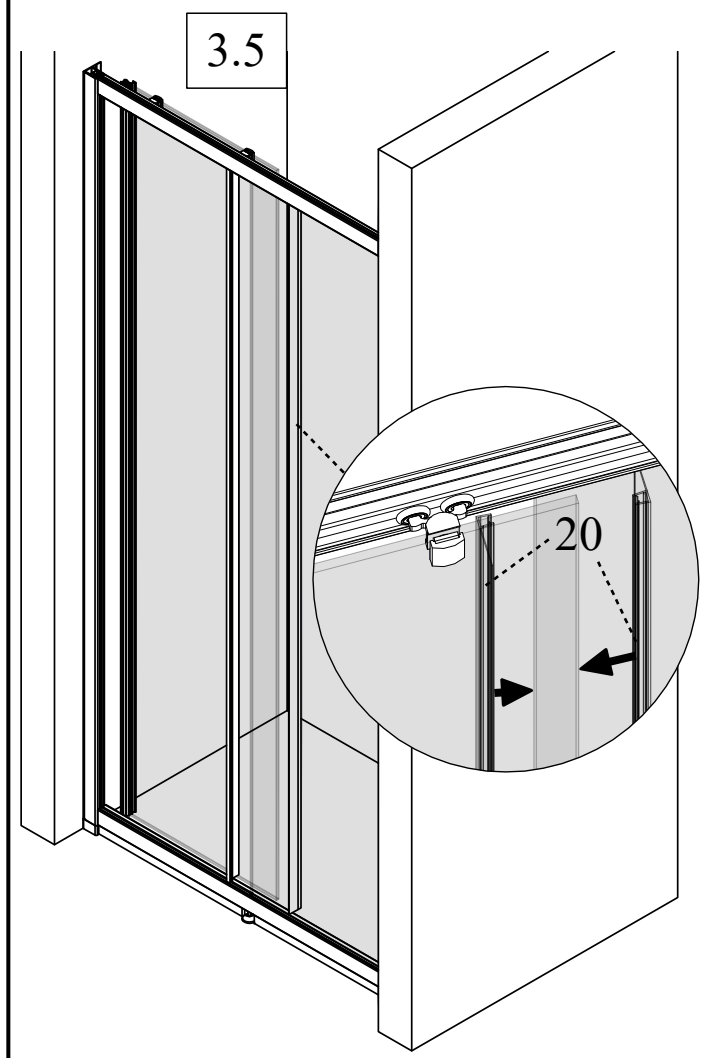
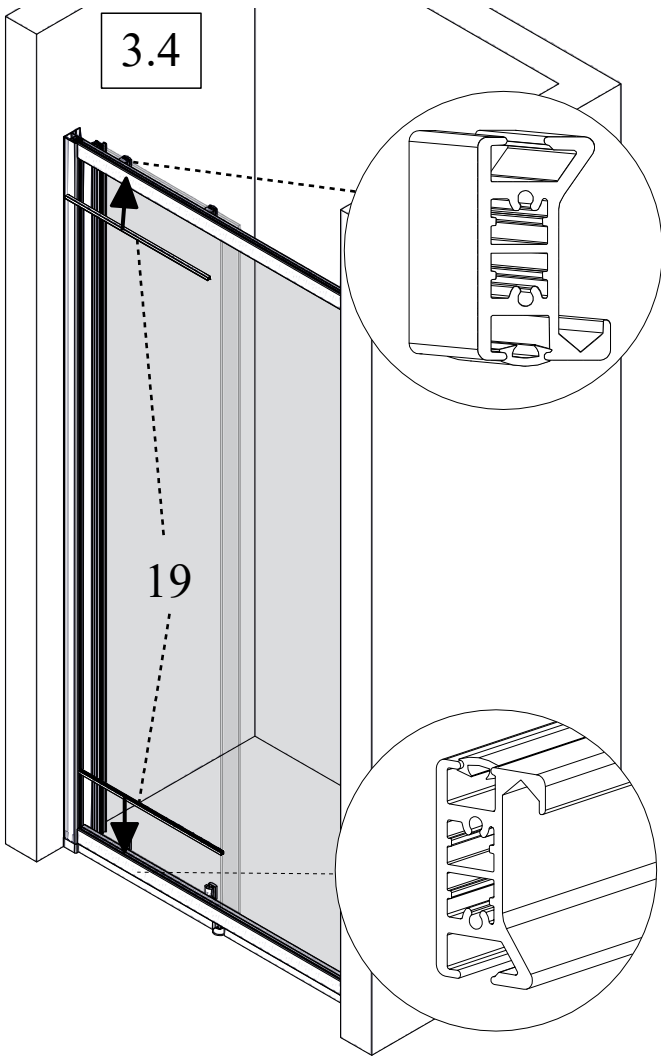


3.2

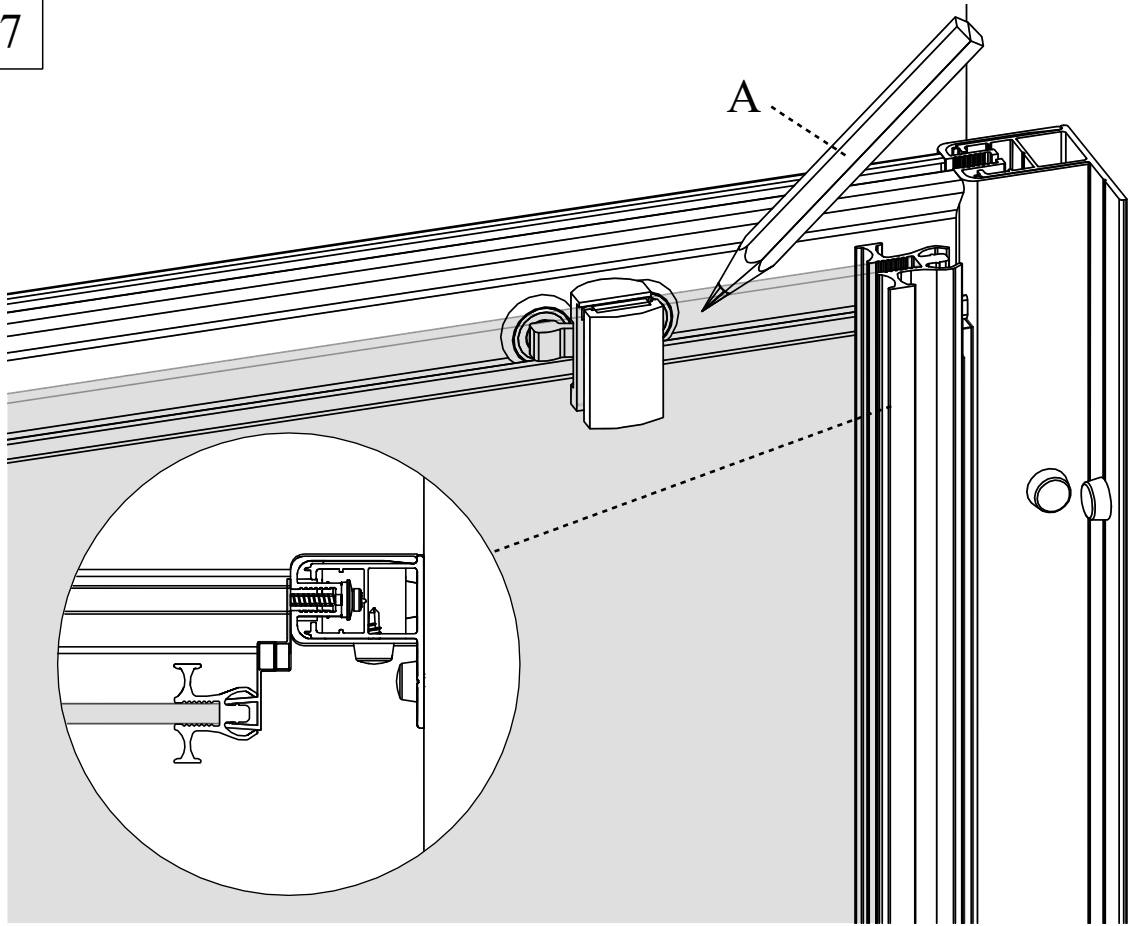


3.3

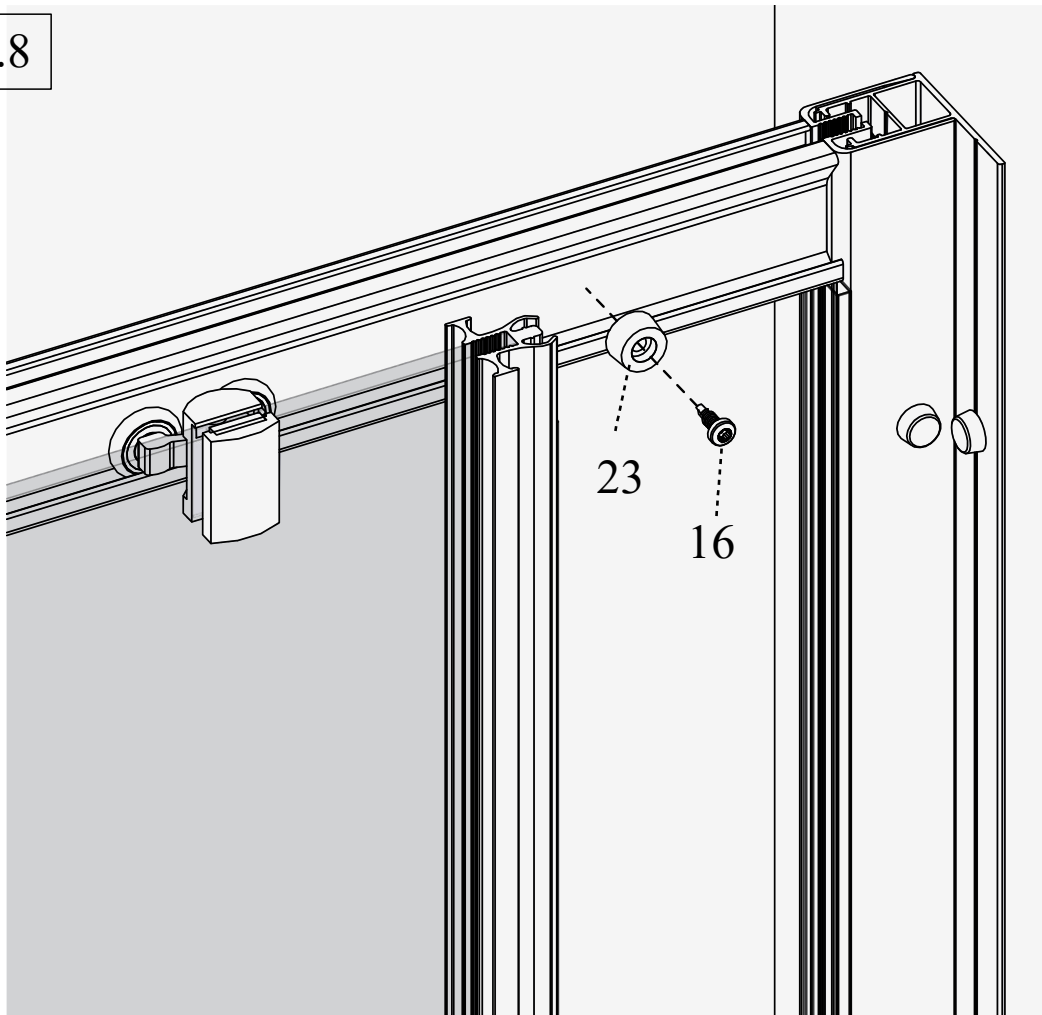




3.7

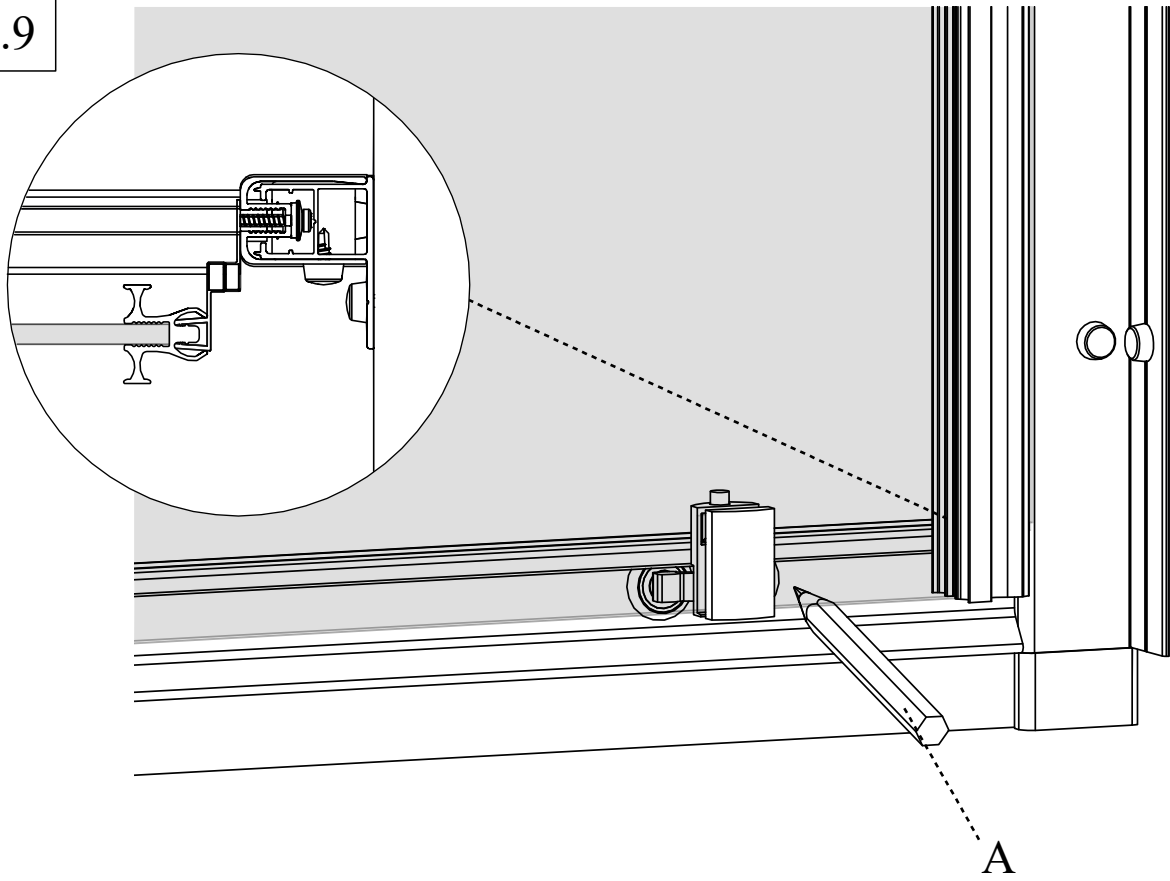


3.8

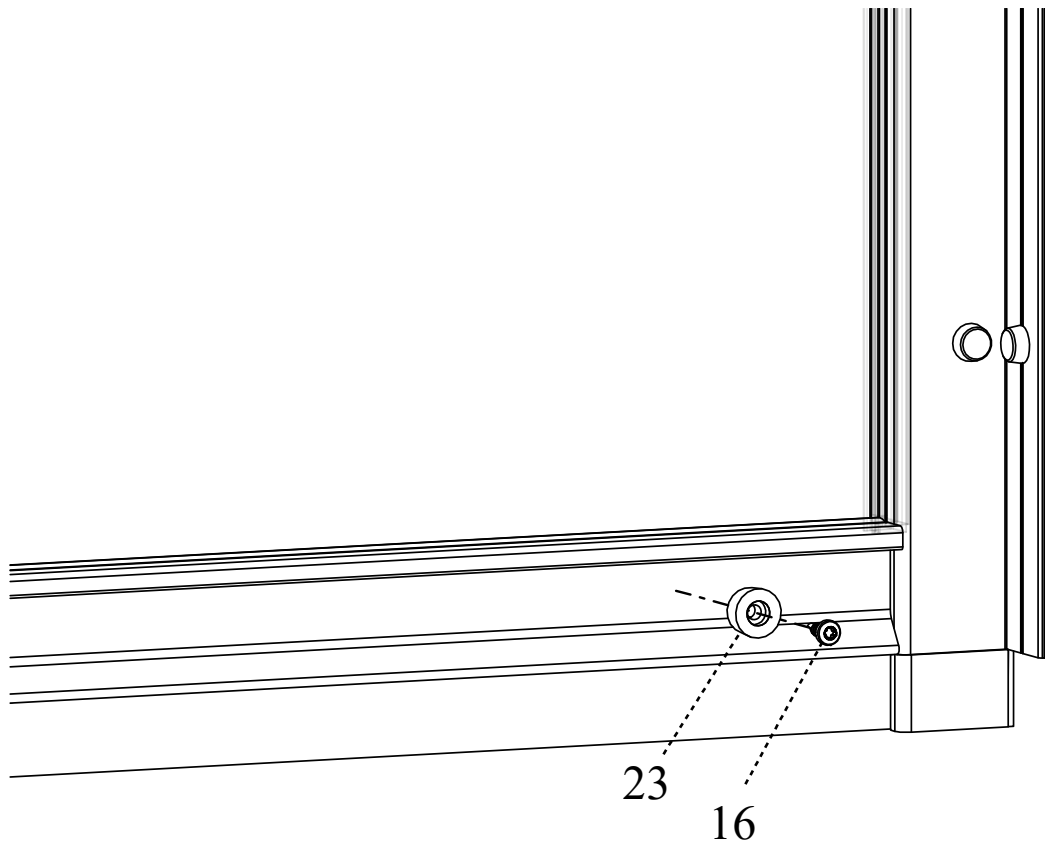




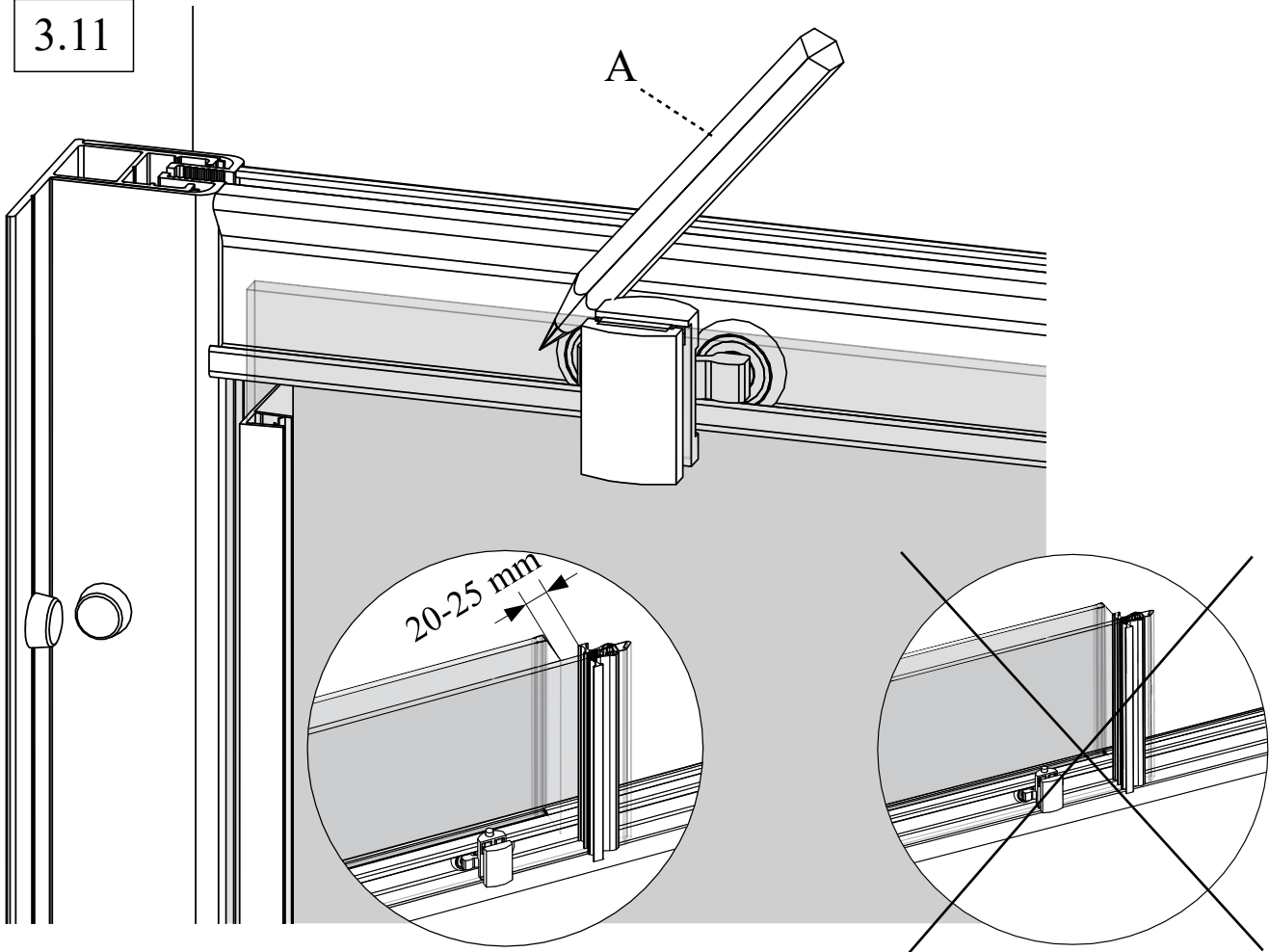
3.9



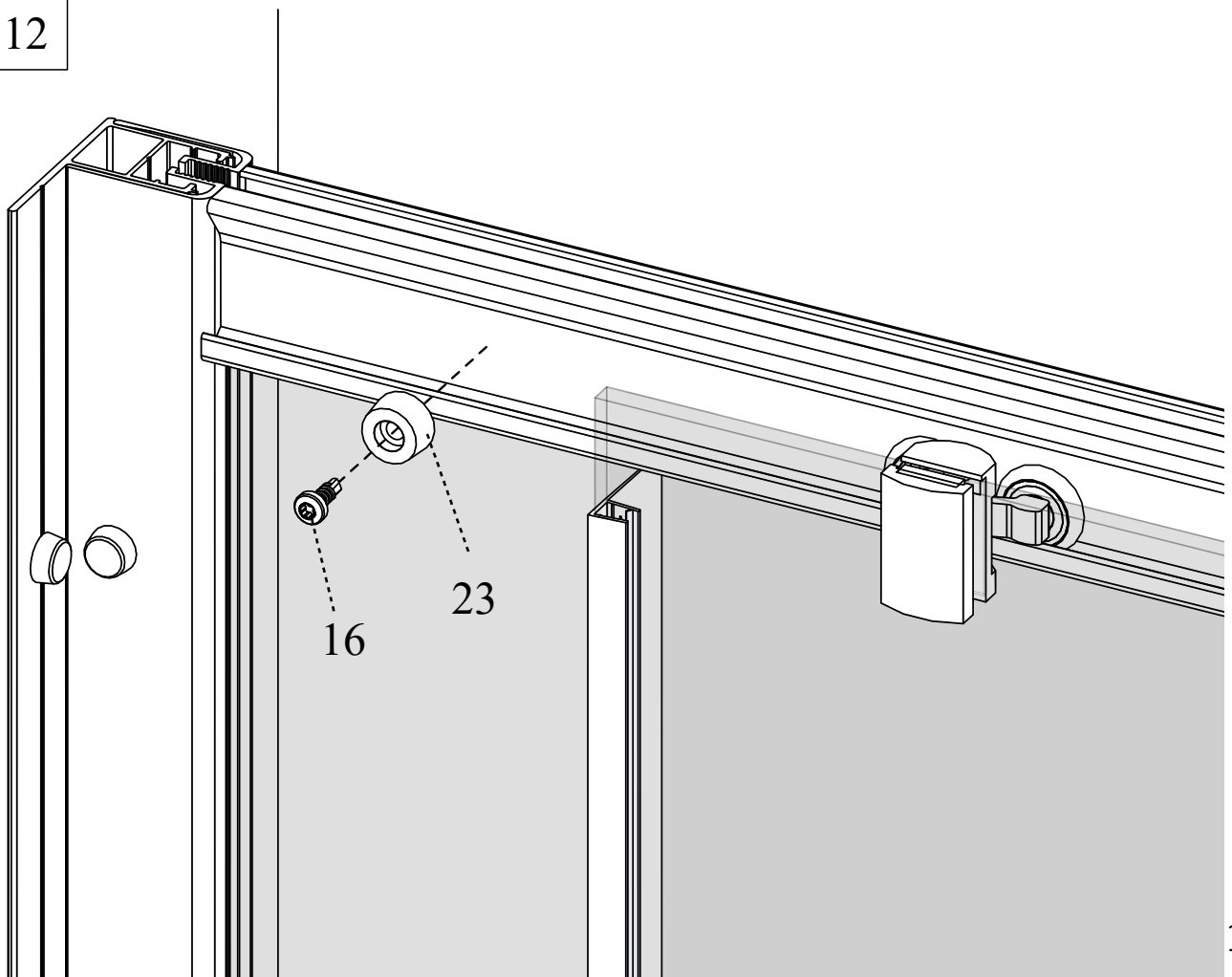
3.10



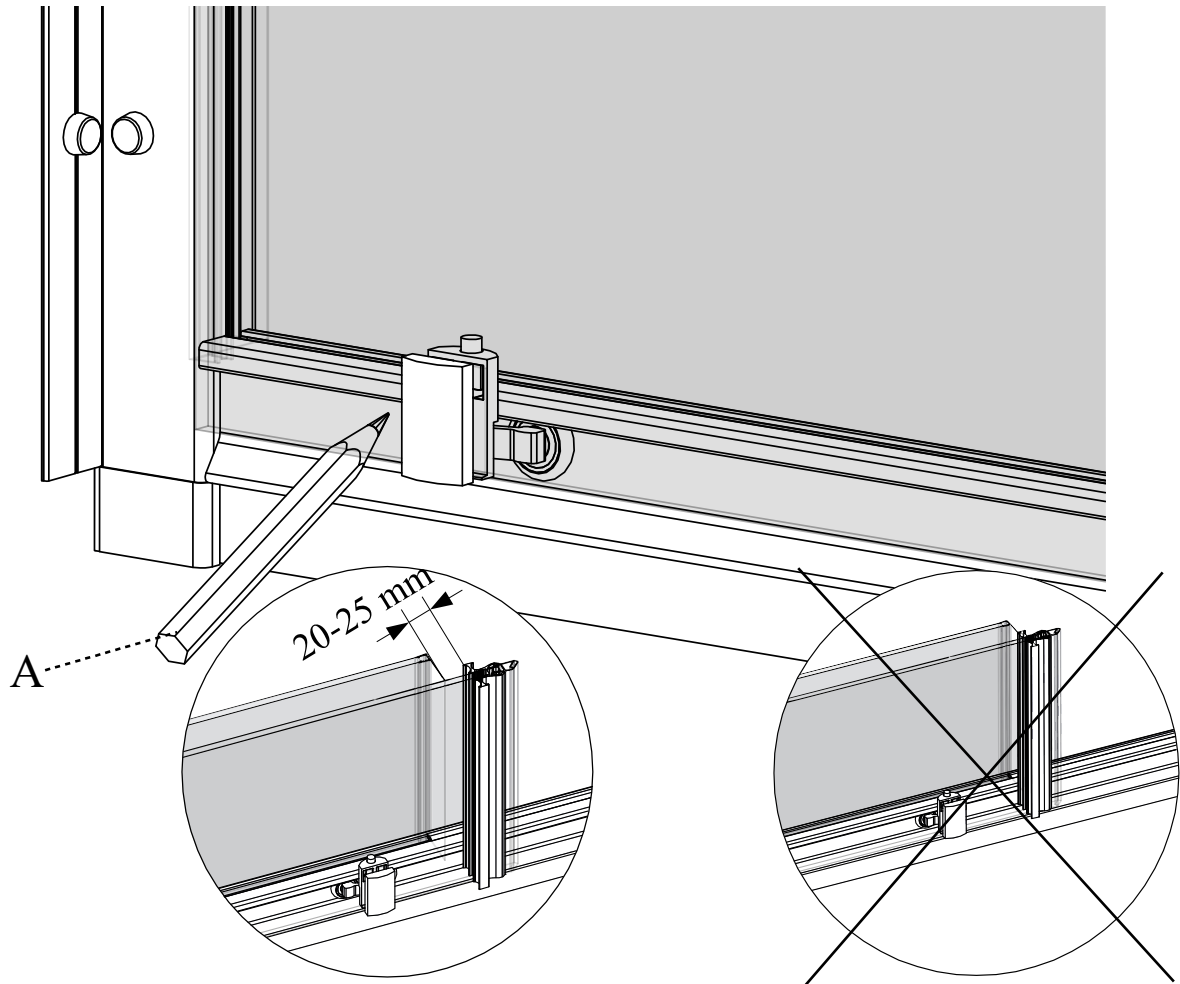
3.11



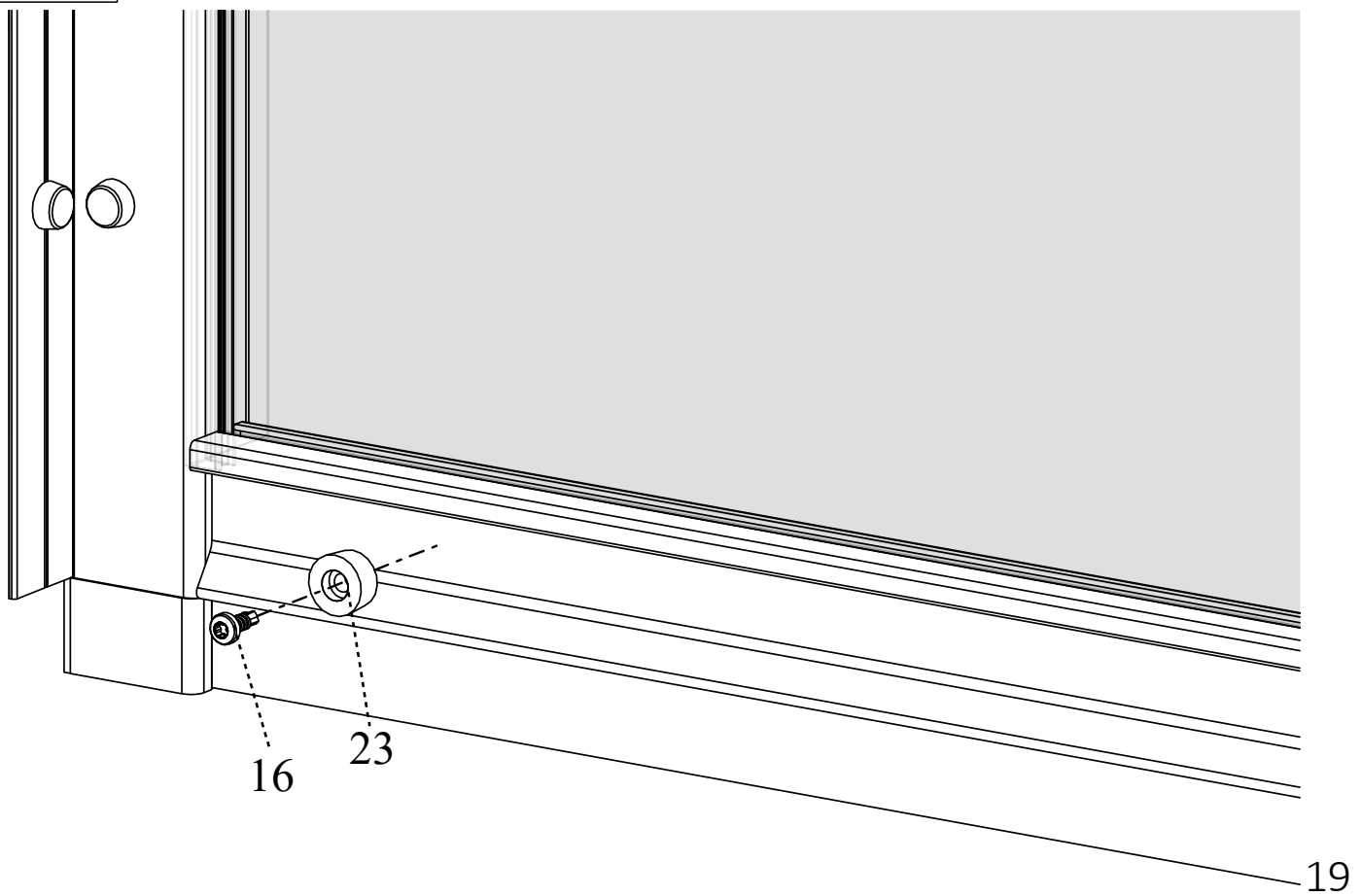
3.12



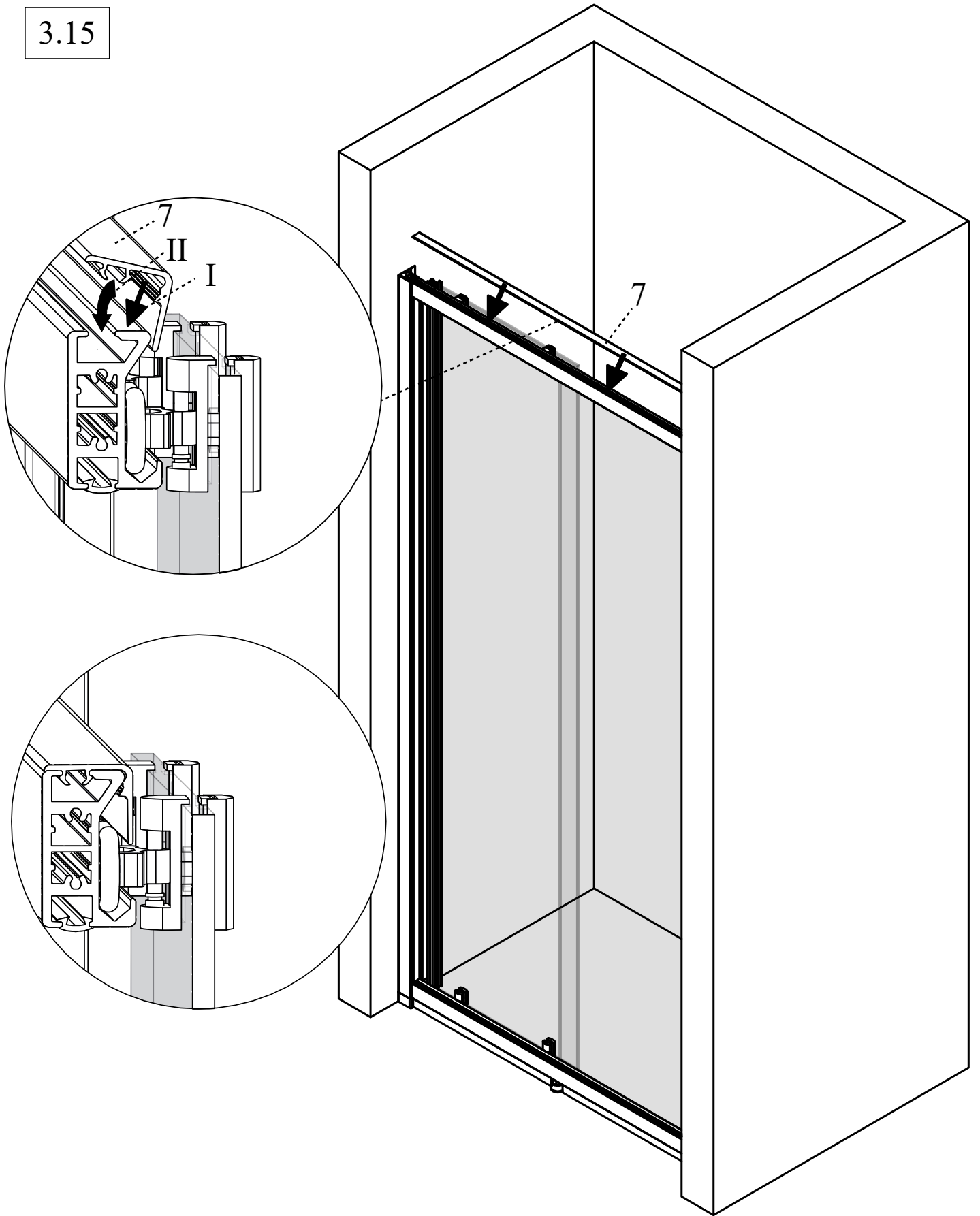
3.13



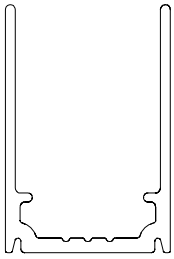
3.14



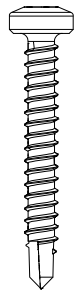
3.15



# 4. EXTRA

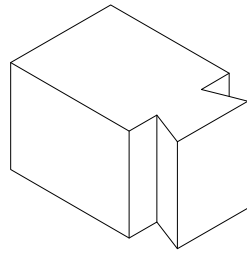


26. x2



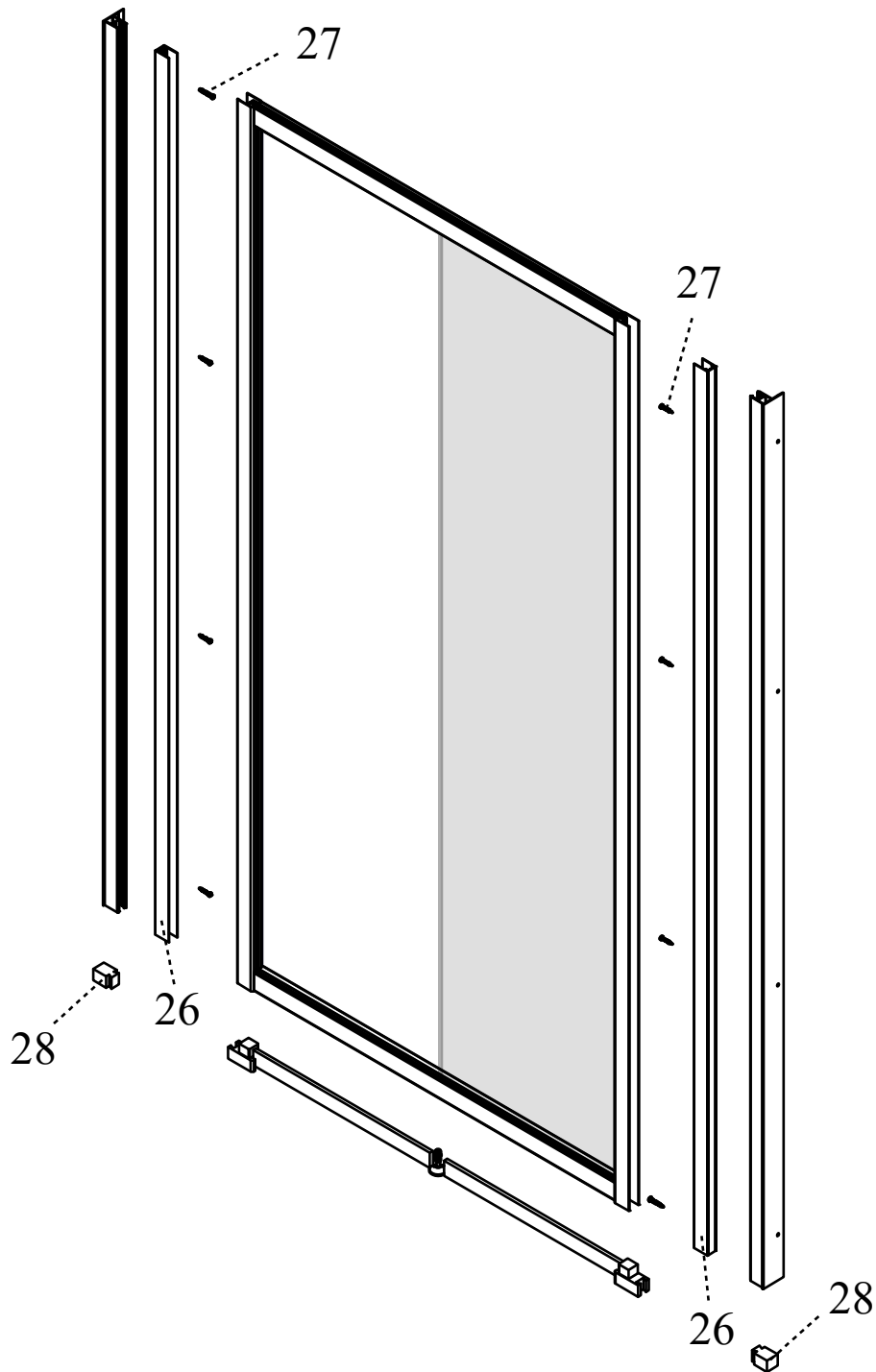
4/83 84RLM

27. 4.2x32 mm  
x8

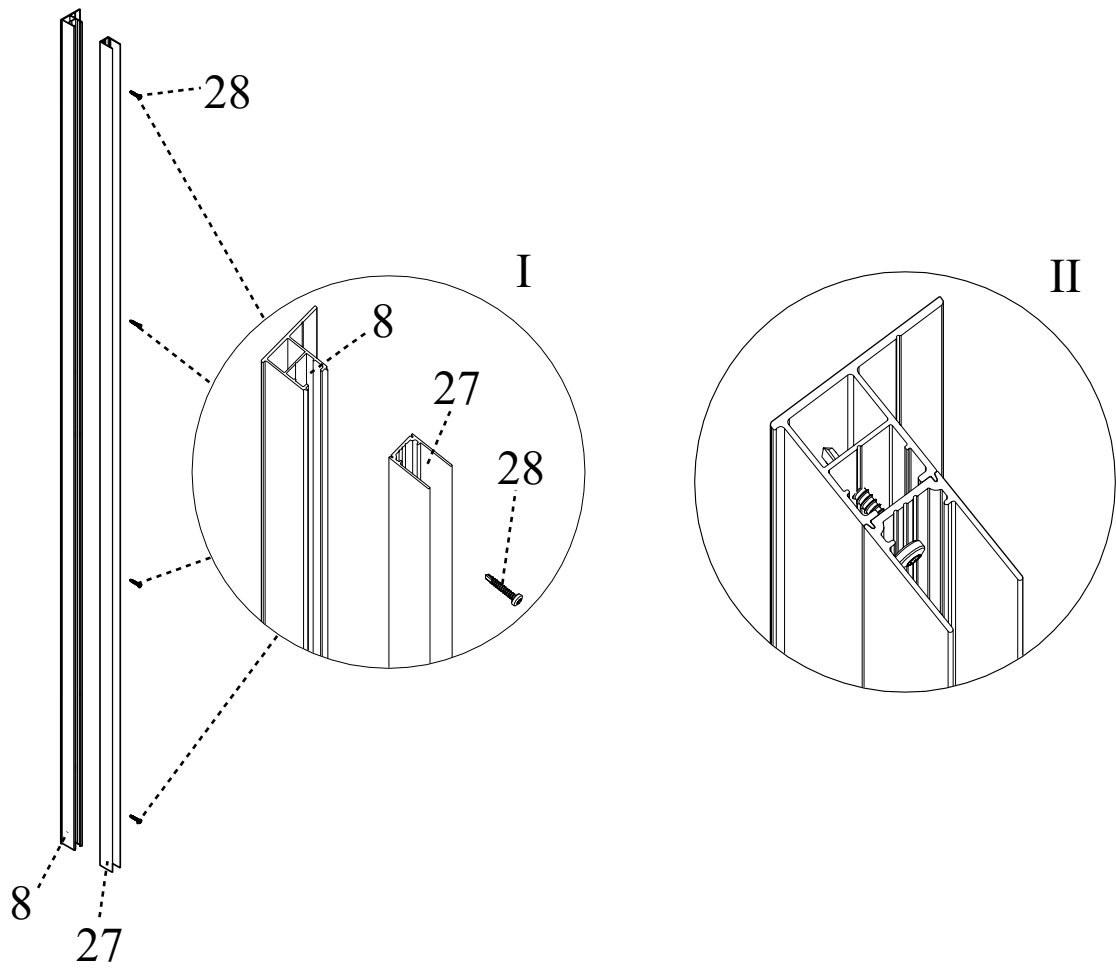


4/83 A3RLM

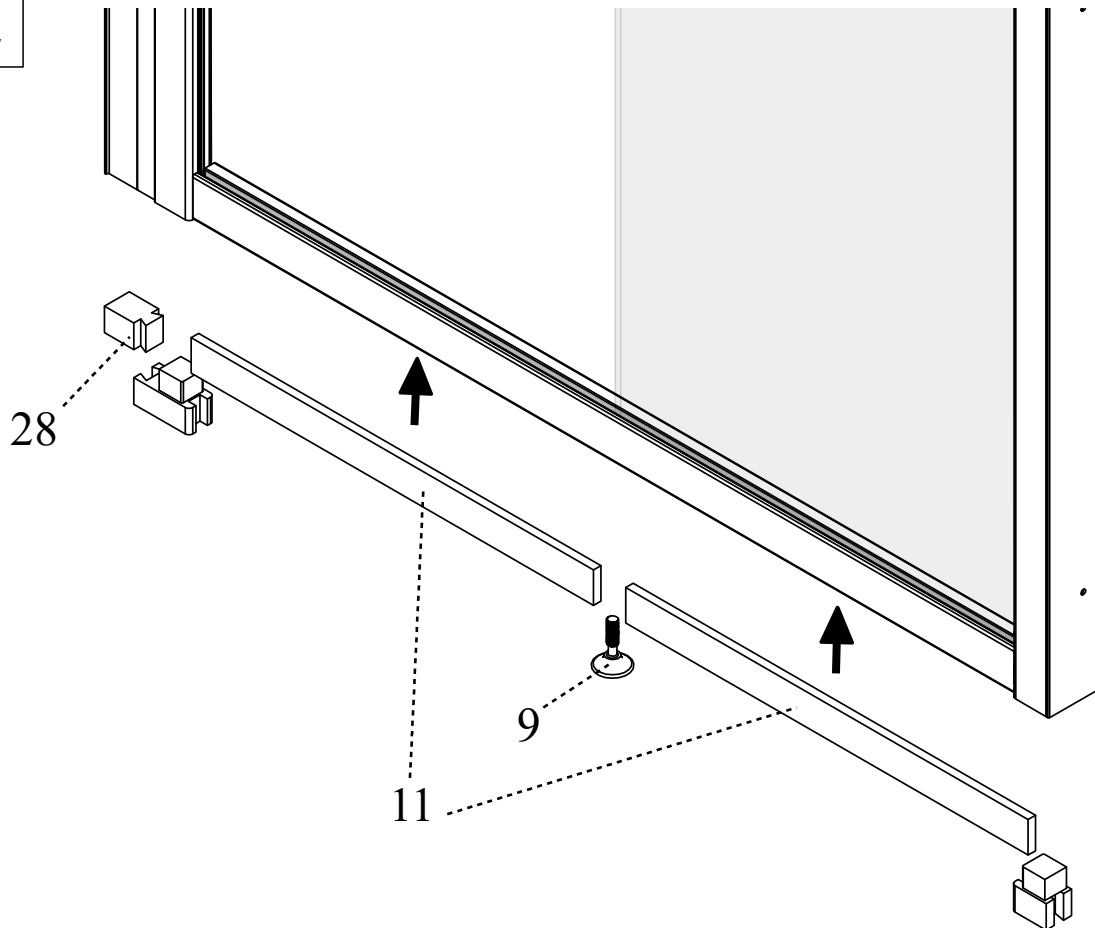
28. x2



4.1



4.2



4.3

