

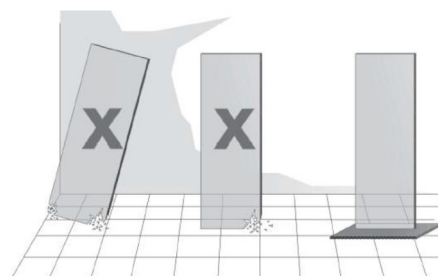
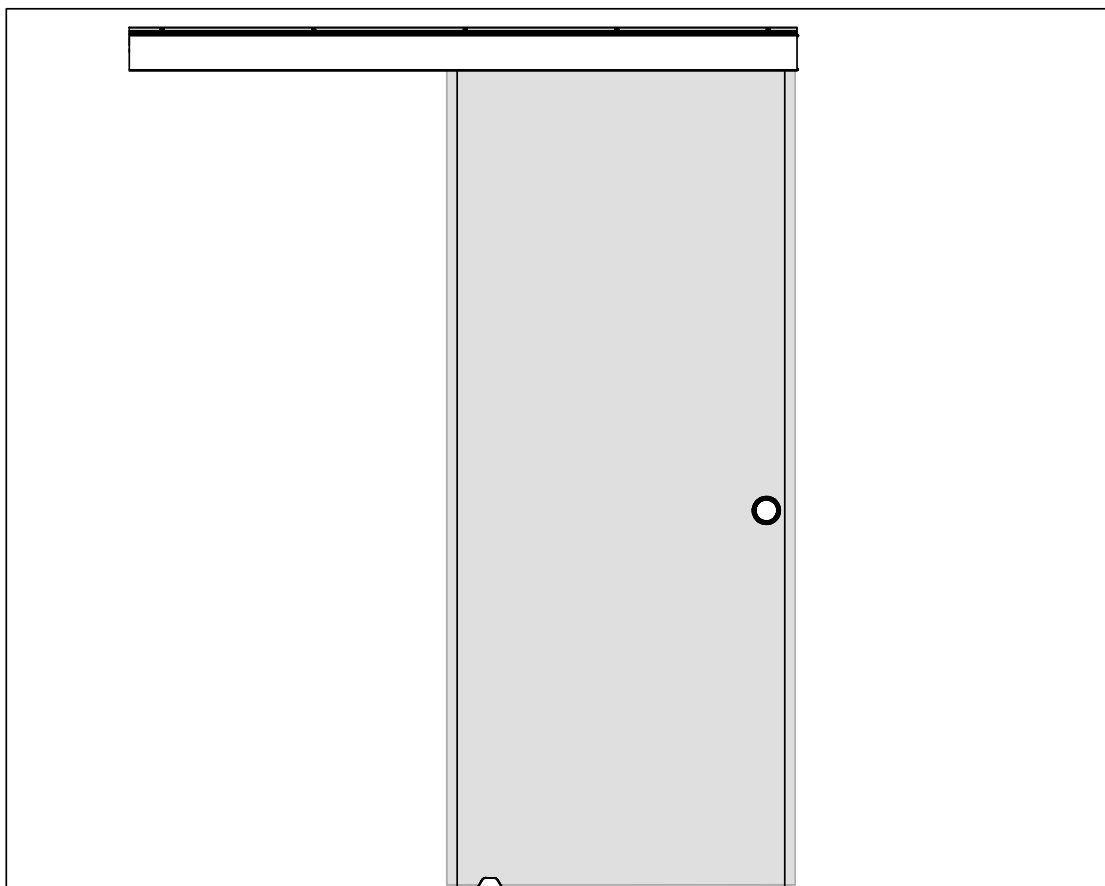


HIETAKARI®

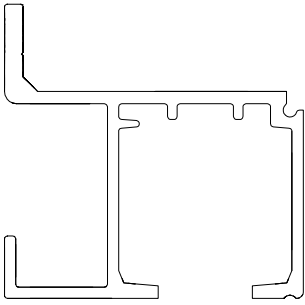


8/25 9ERLM

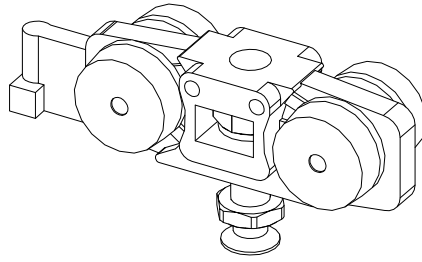
# 611



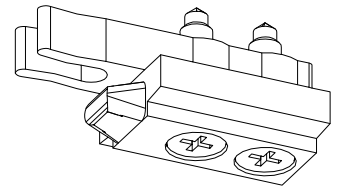
# Parts



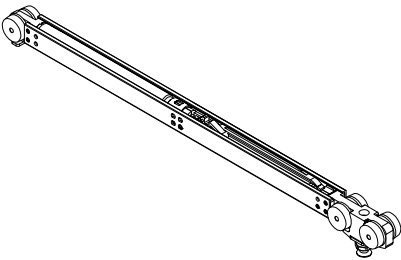
1. x1



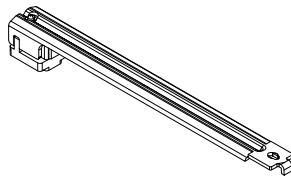
2. A x1  
B x0



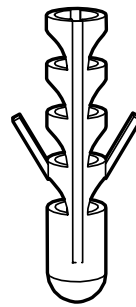
3. A x1  
B x0



4. A x1  
B x2



5. A x1  
B x2

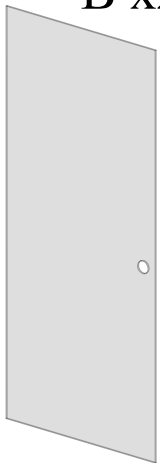


4/83 13RLM

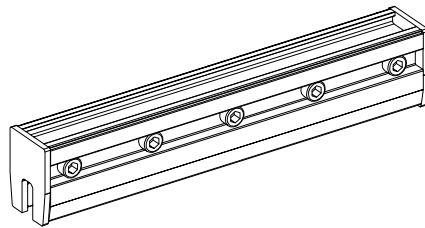


4/83 11RLM

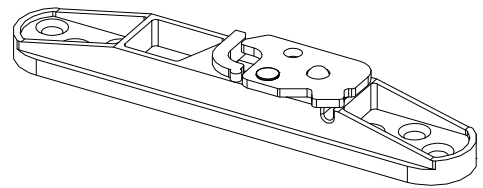
6. 6x30 mm x11    7. 3.5x39 mm x11



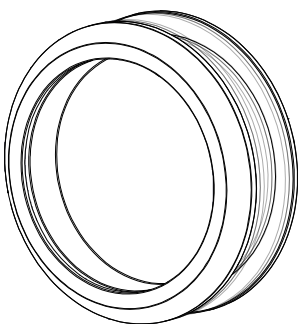
8. x1



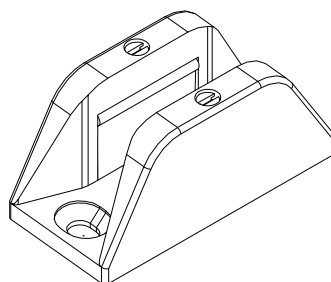
9. x2



10. x2



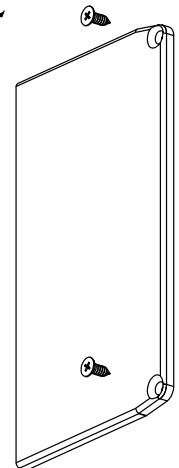
11. x1



12. x1

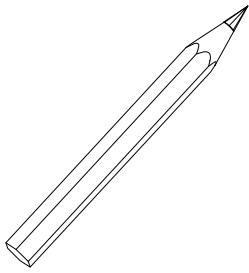


13. x1

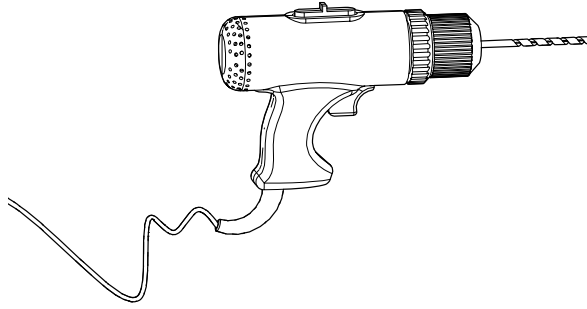


14. x2

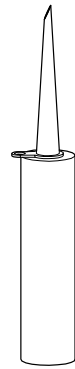
# Tools



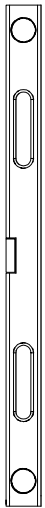
A



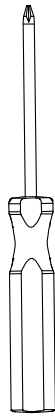
Ø6 mm  
B



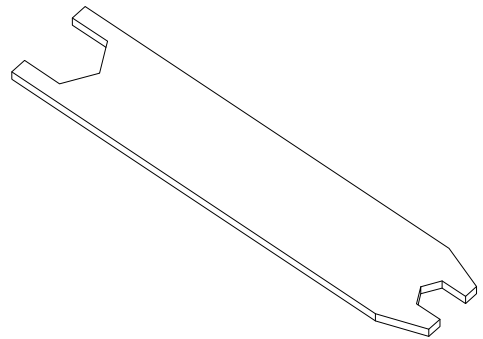
C – Silicone  
D – Glue



E

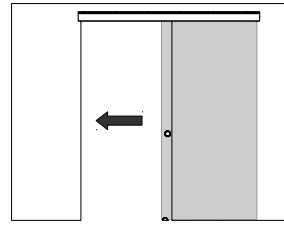
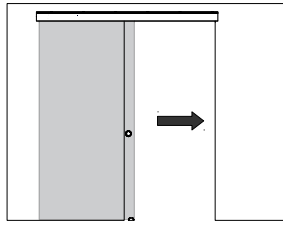


F



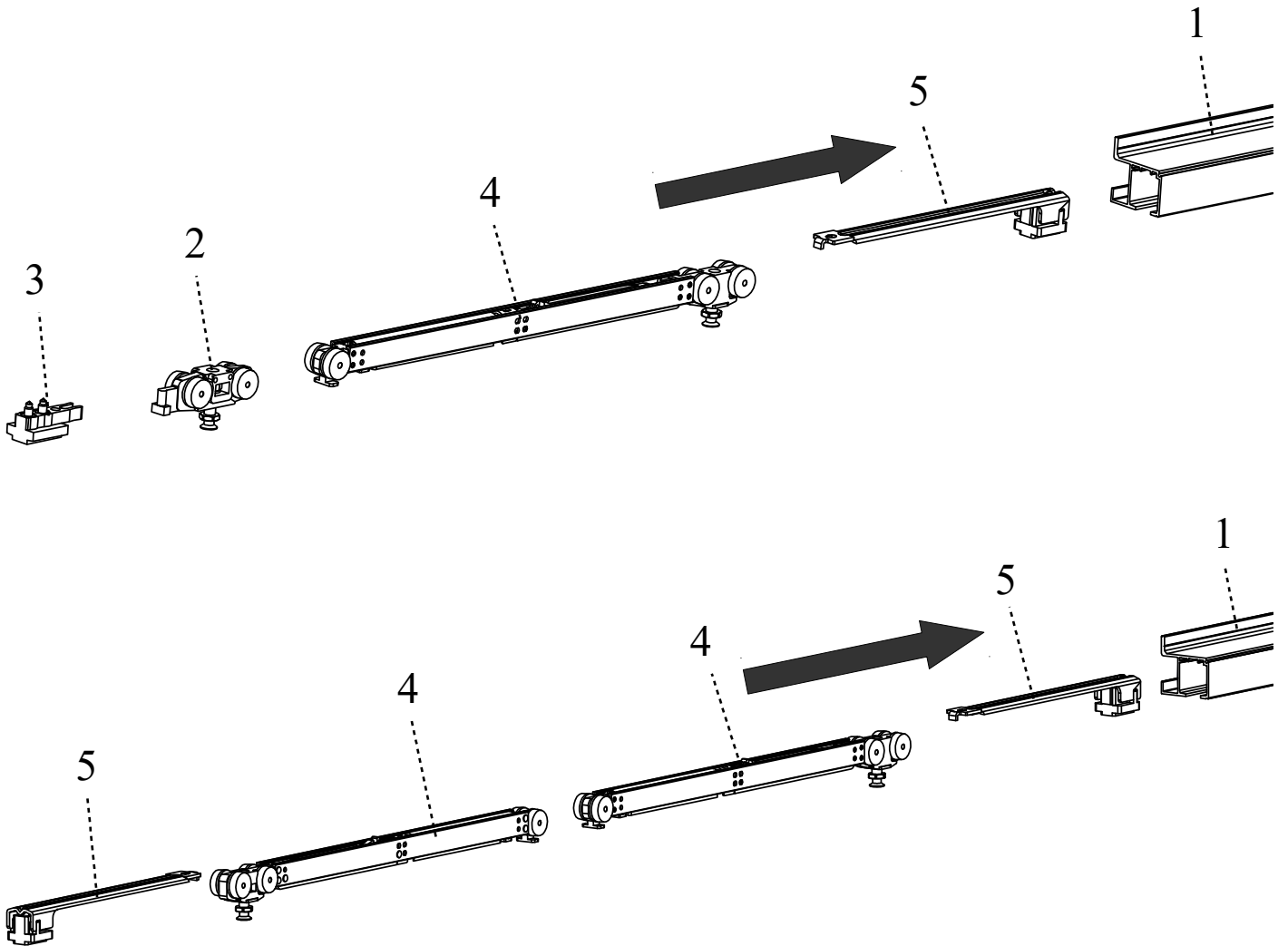
G

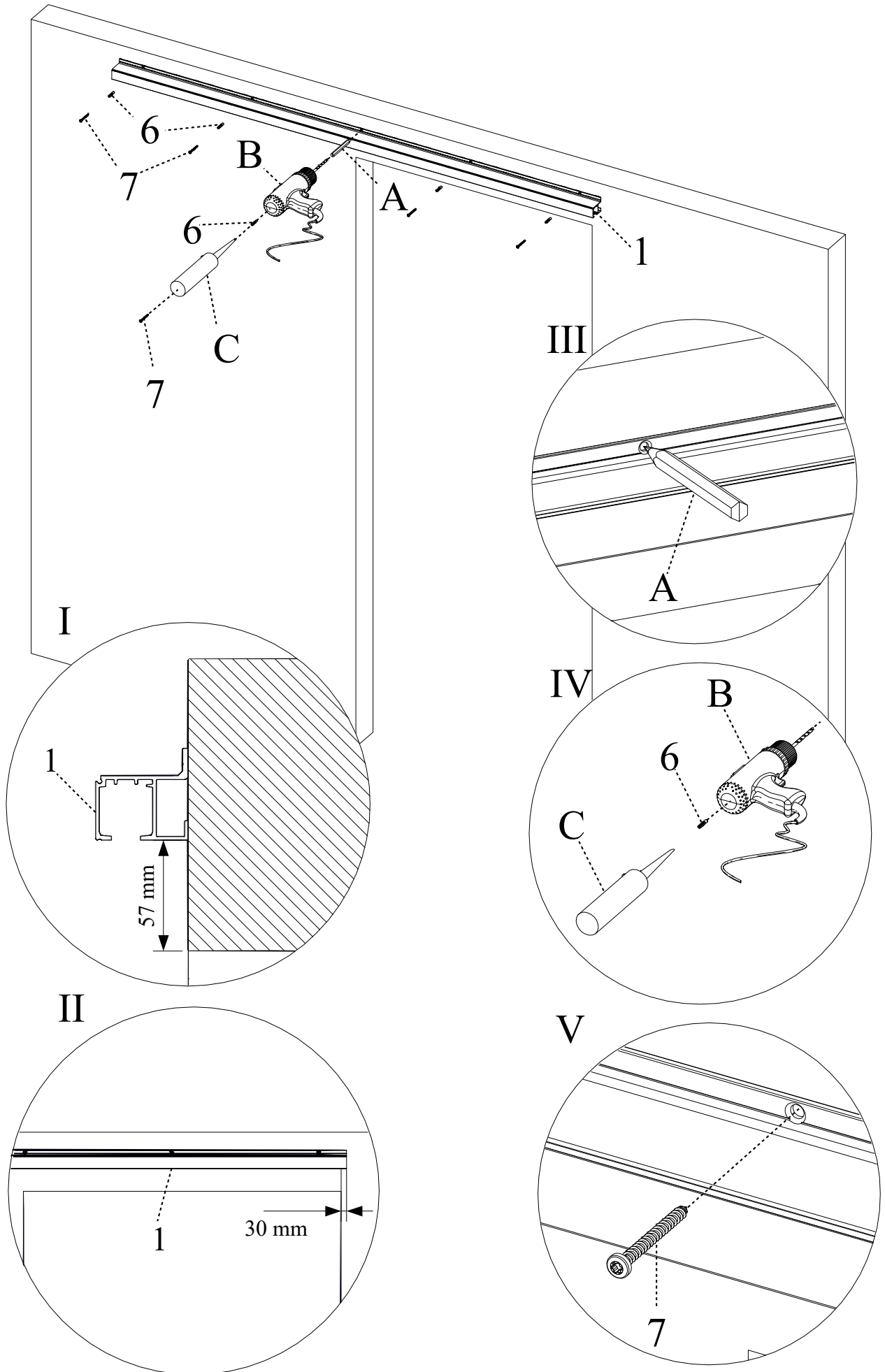
1



A: 3 - 2 - 4 - 5 → 1  
B: 5 - 4 - 4 - 5 → 1

A: 3 - 2 - 4 - 5 → 1  
B: 5 - 4 - 4 - 5 → 1



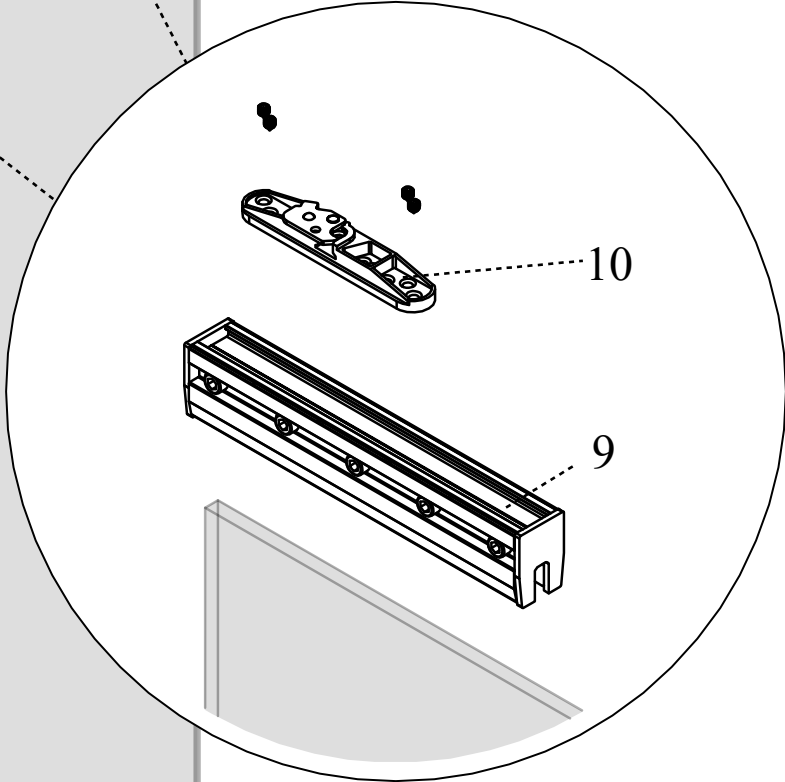
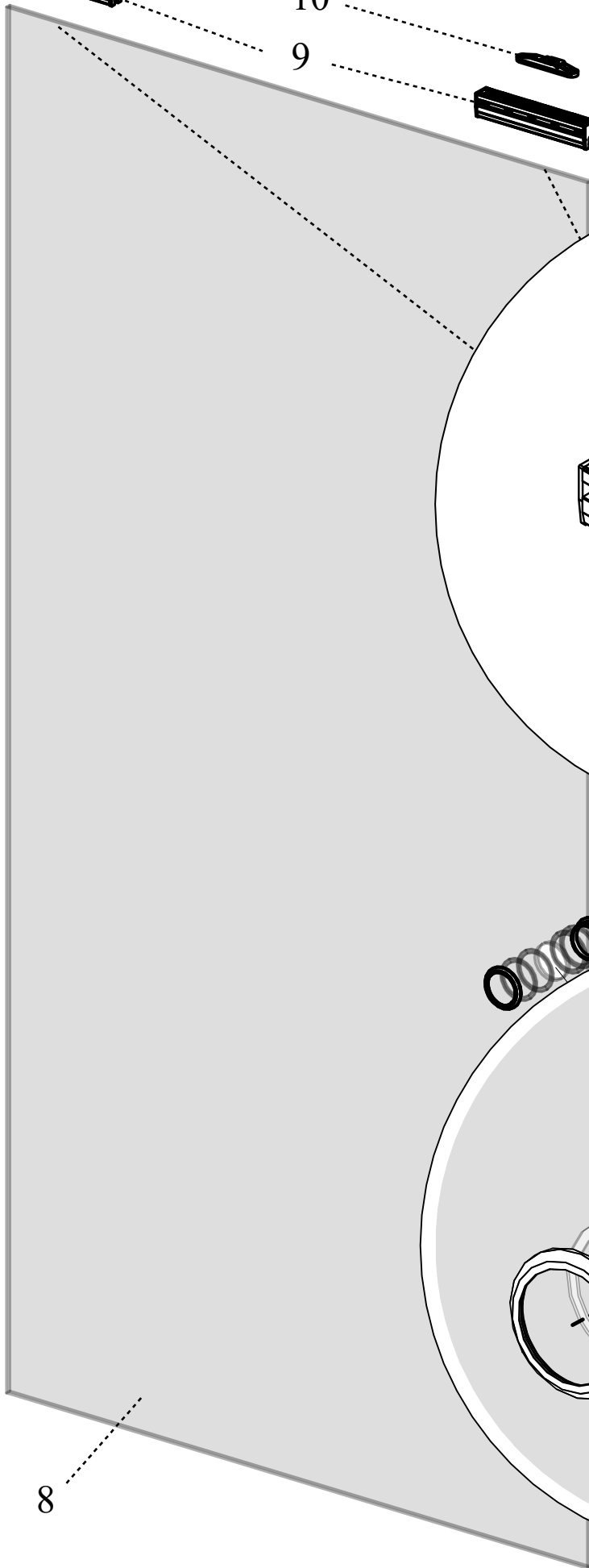


3



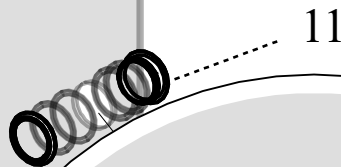
10

9

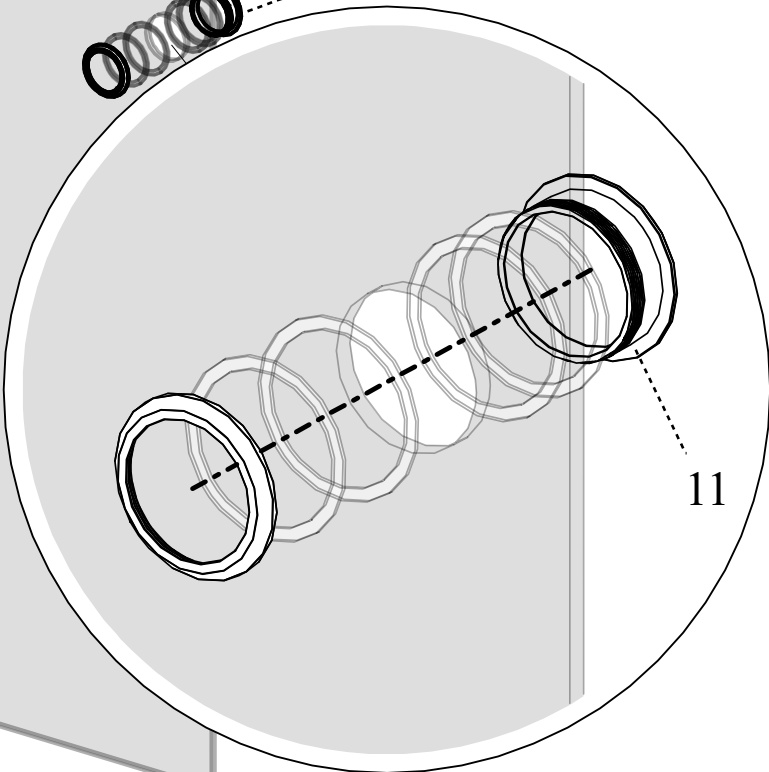


10

9



11

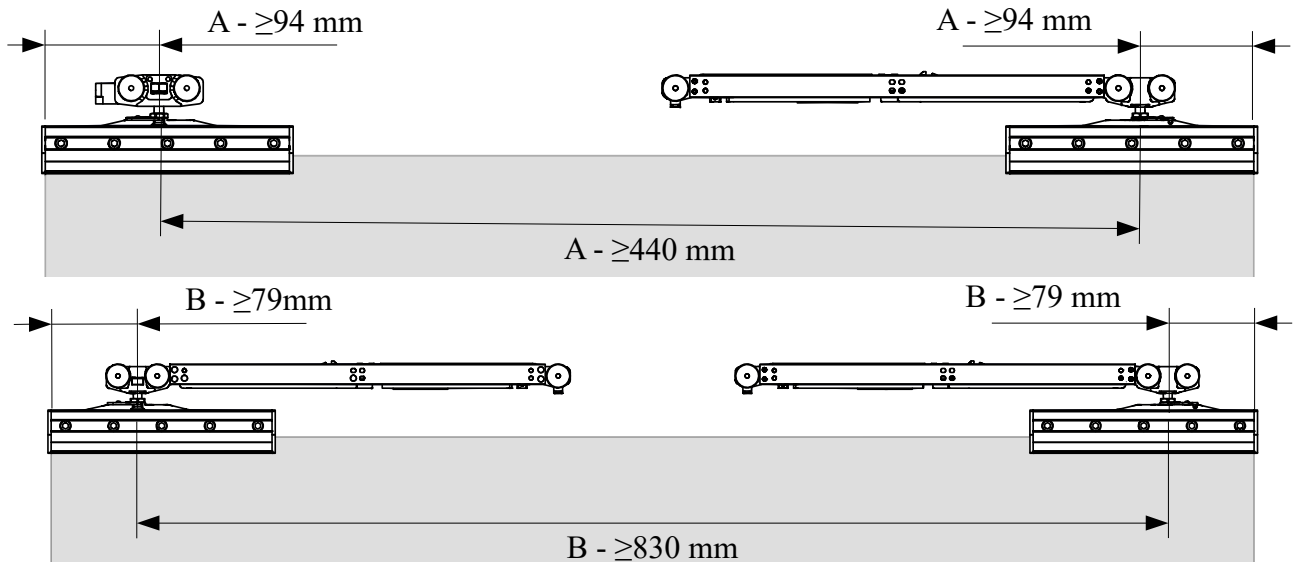
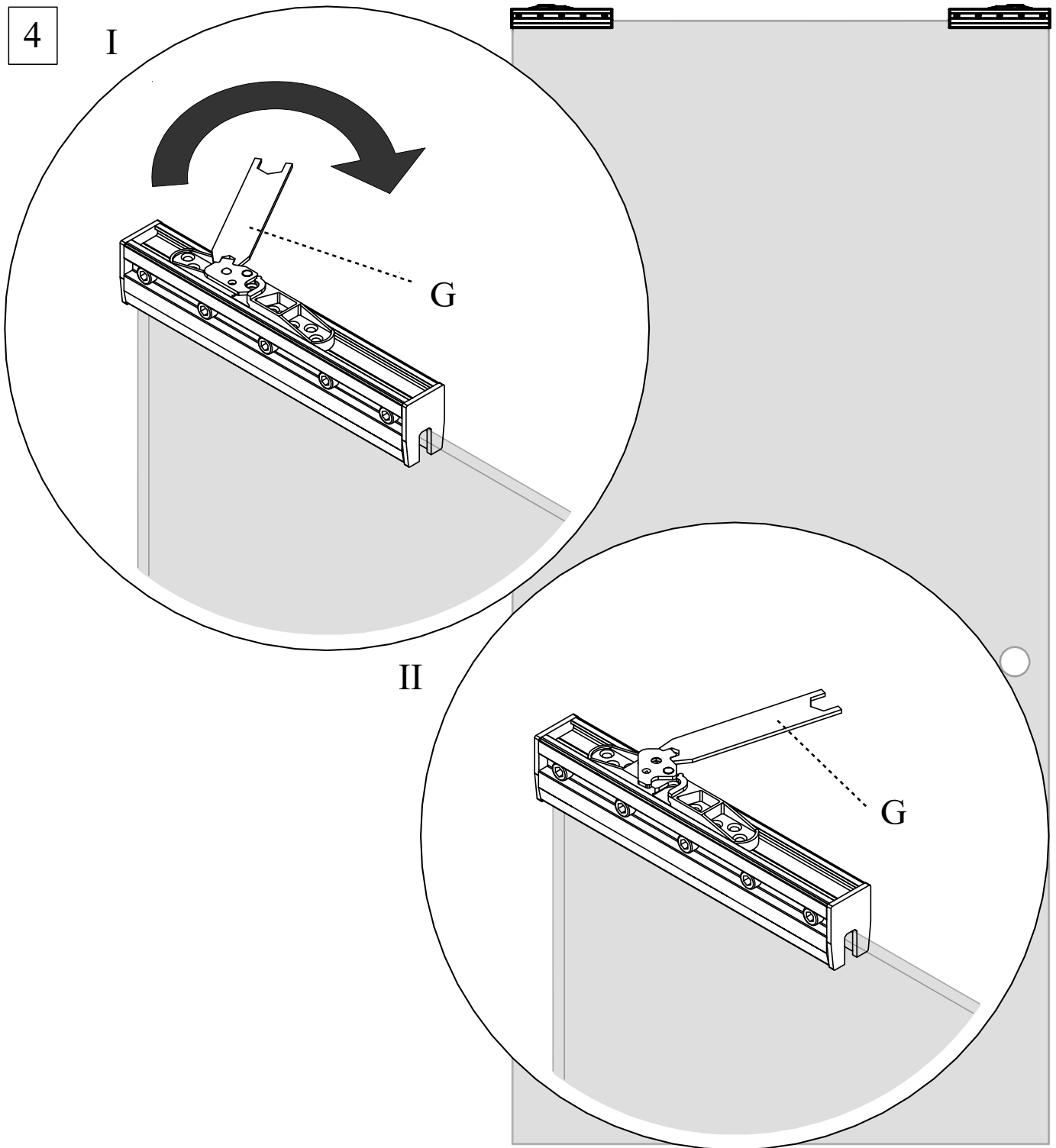


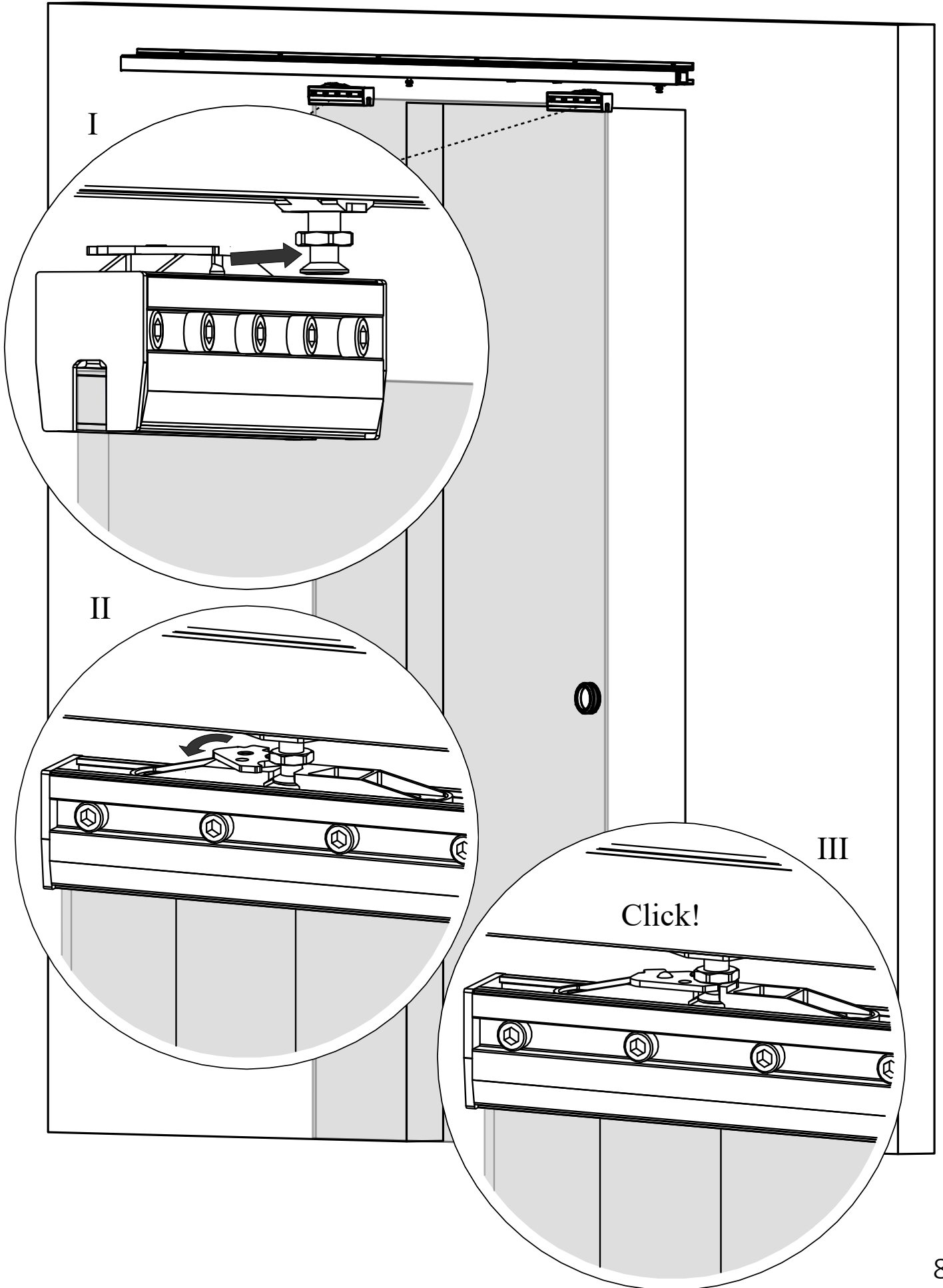
11

8

6

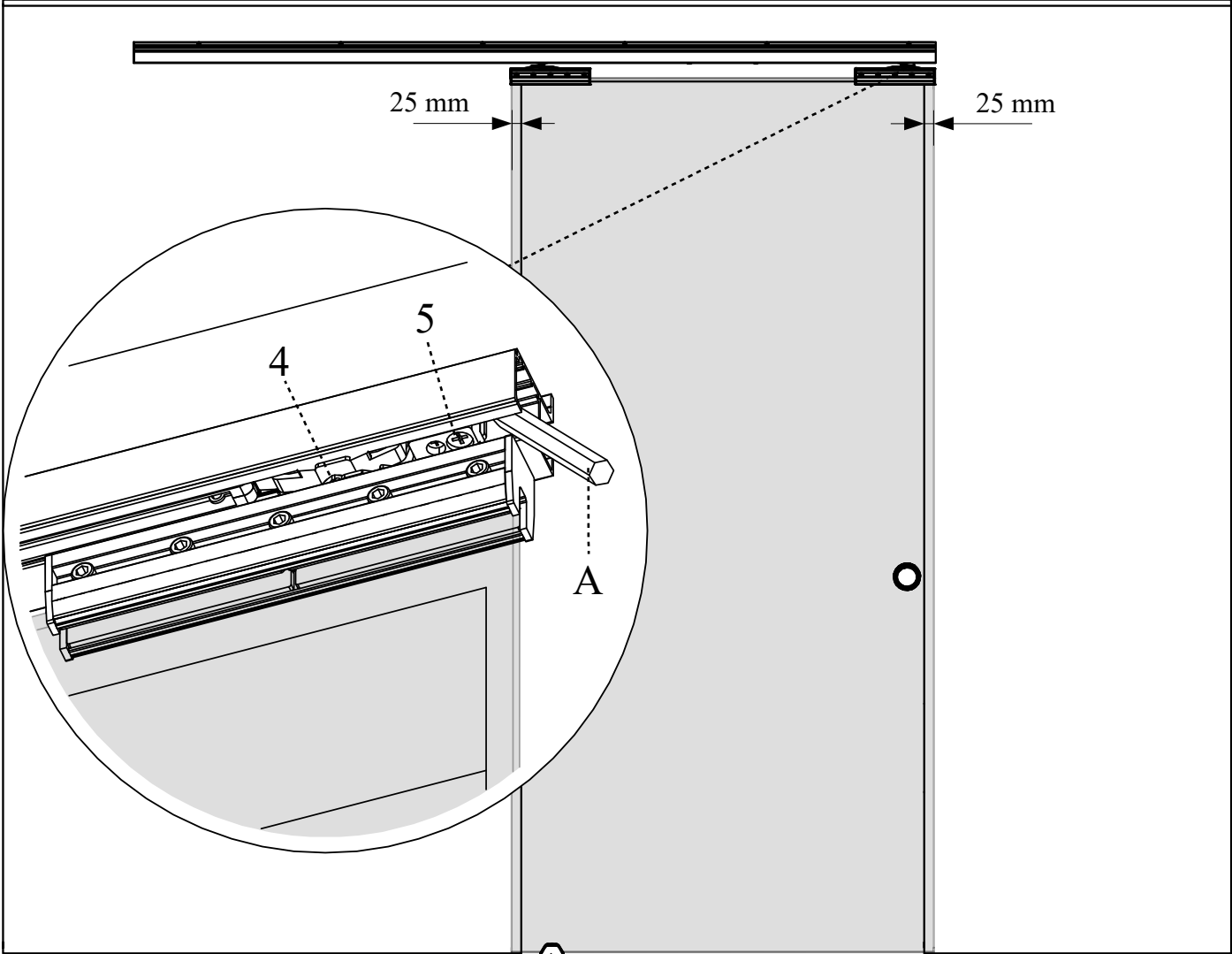
4



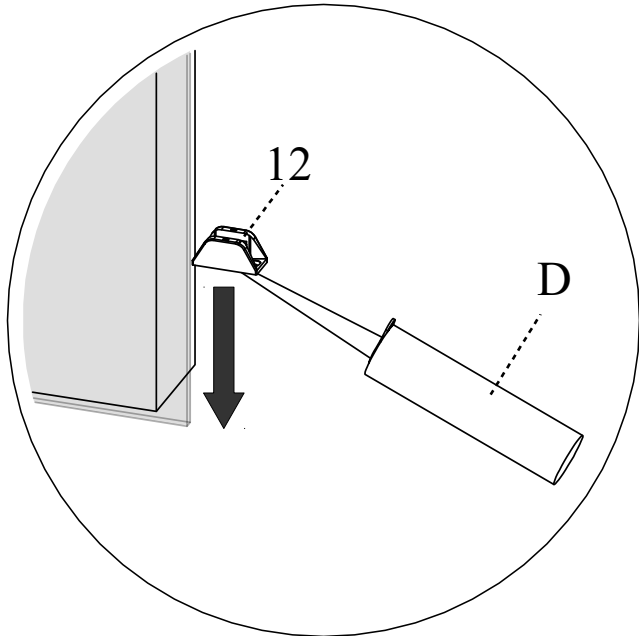
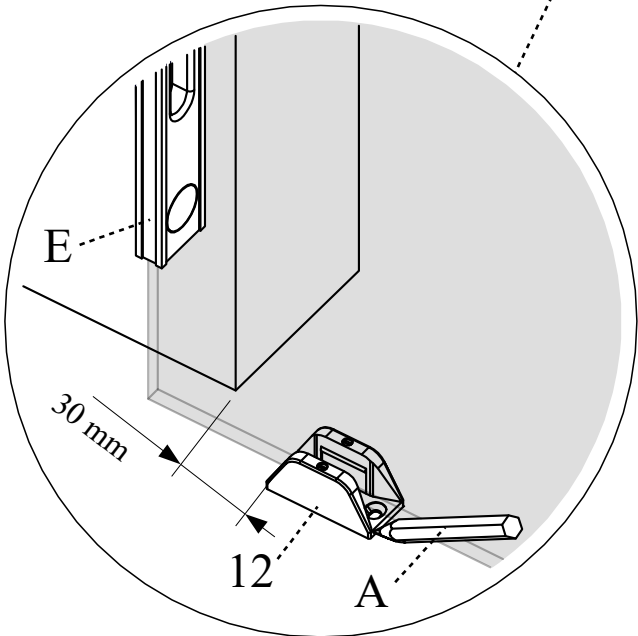




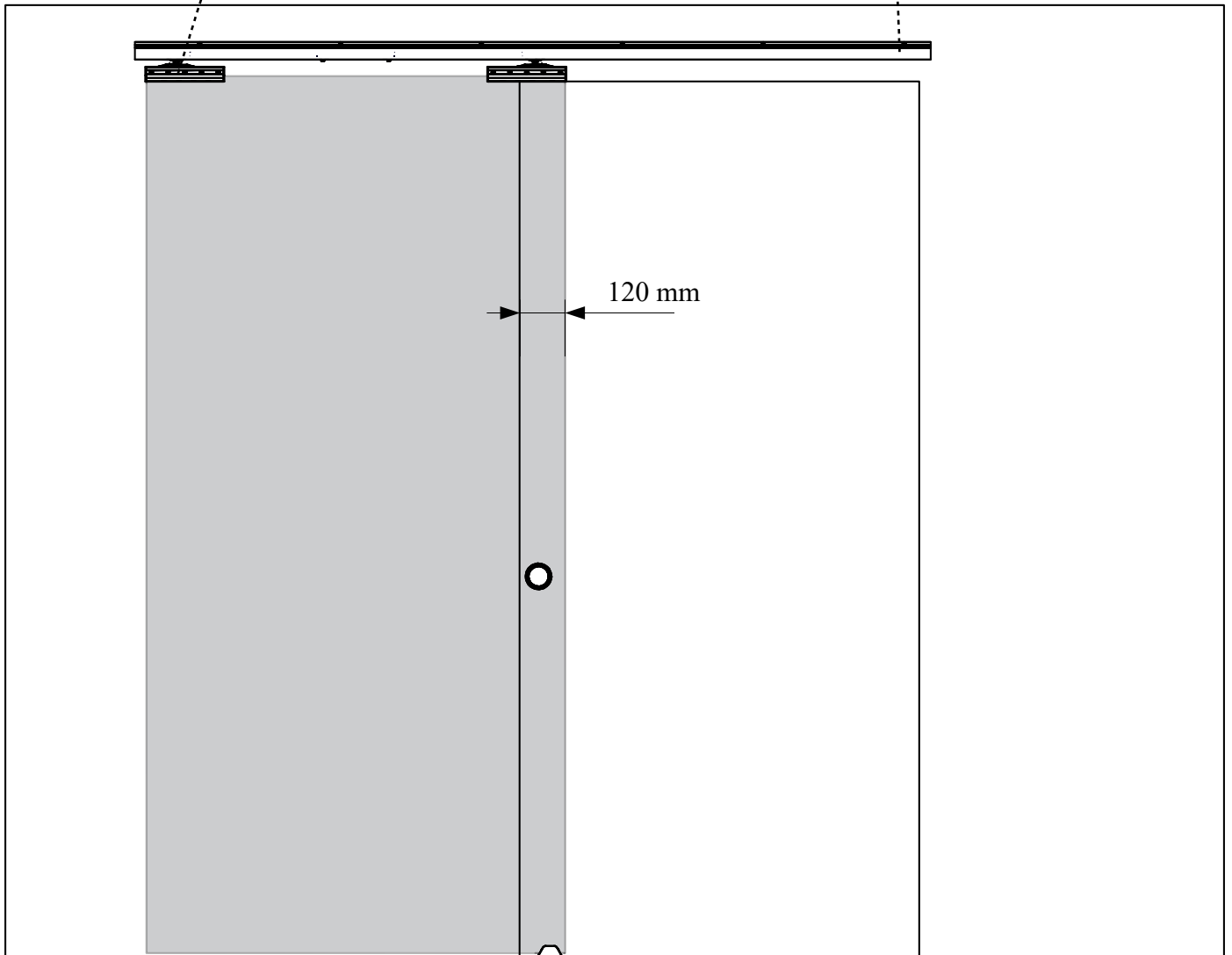
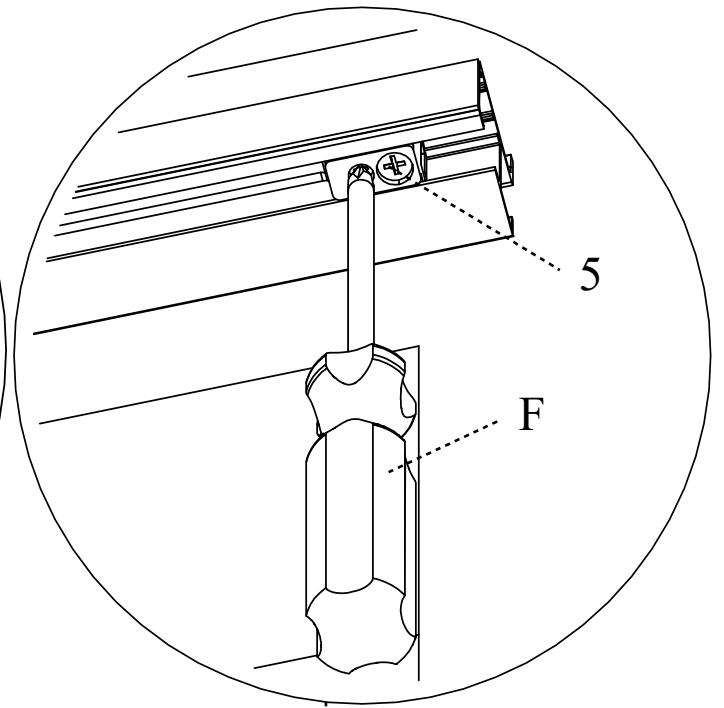
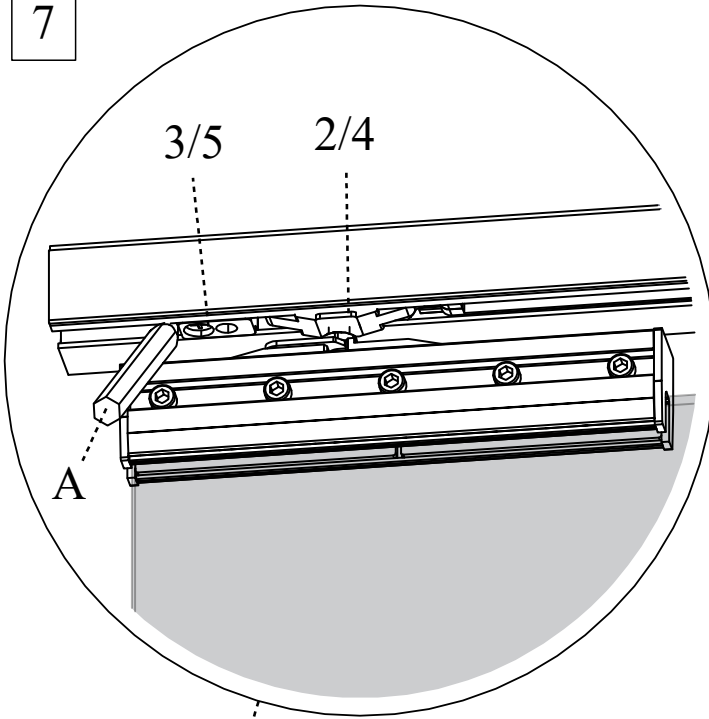
6



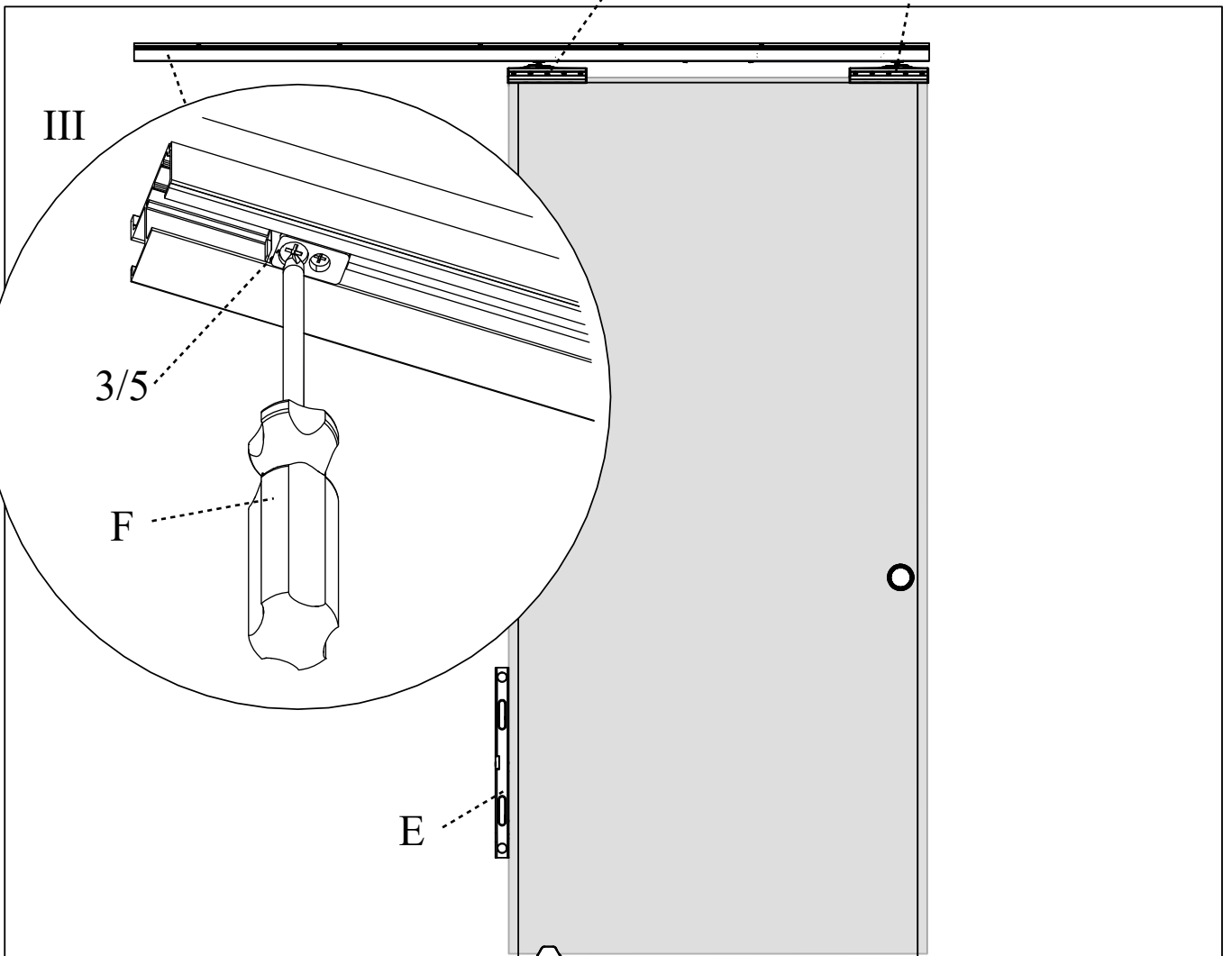
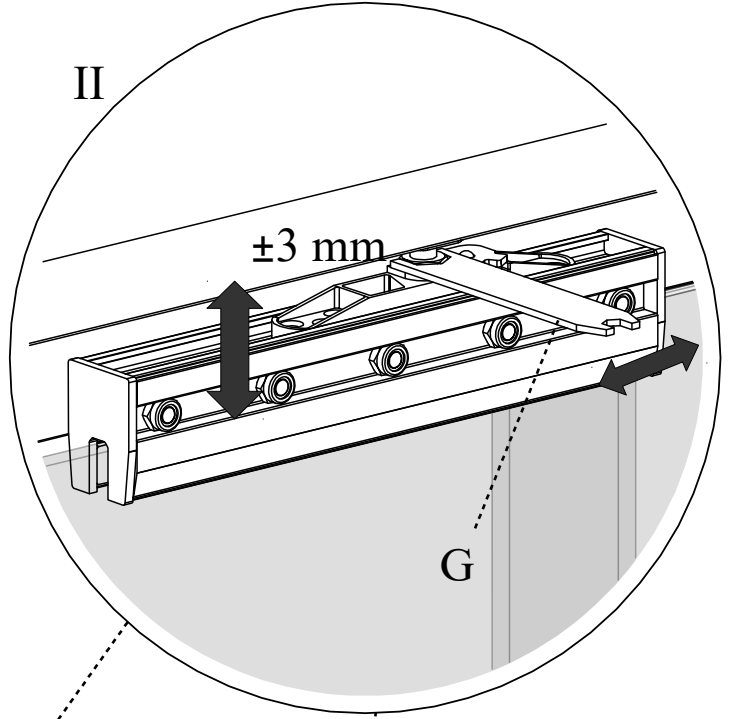
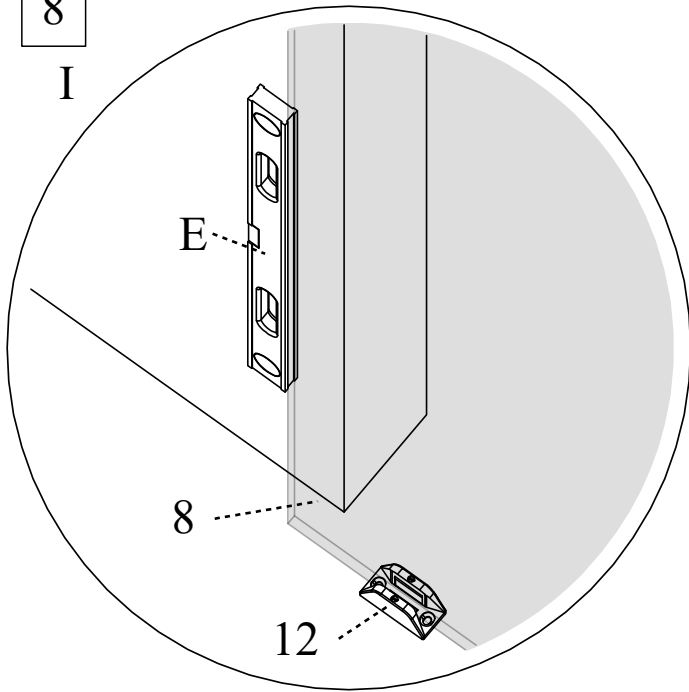
12



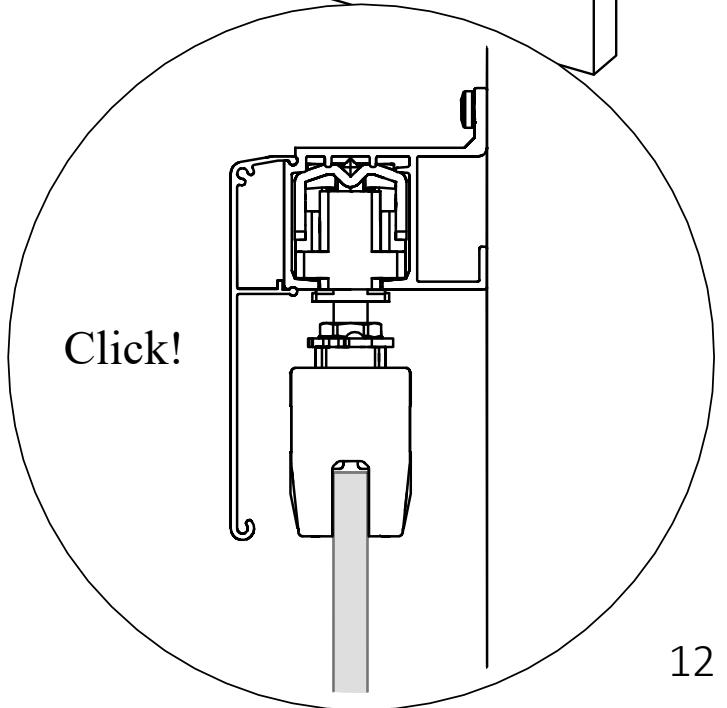
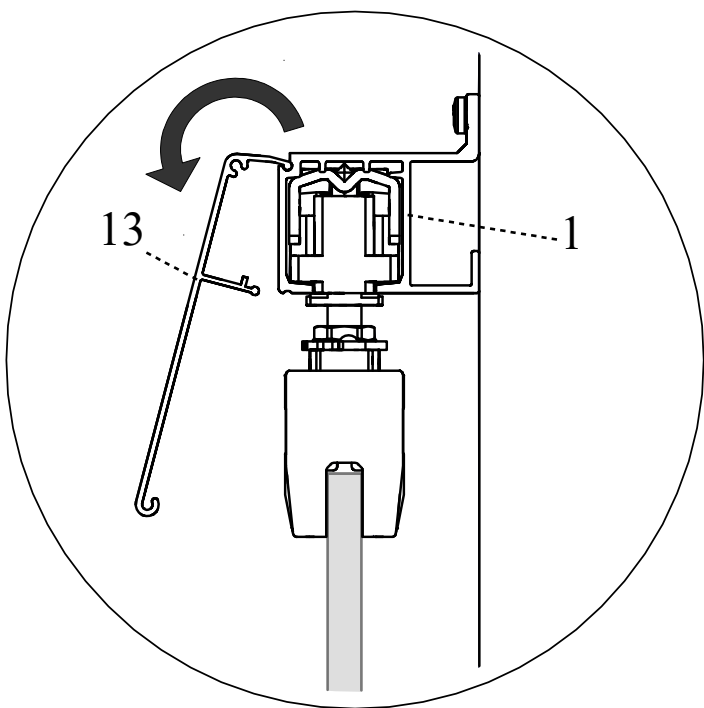
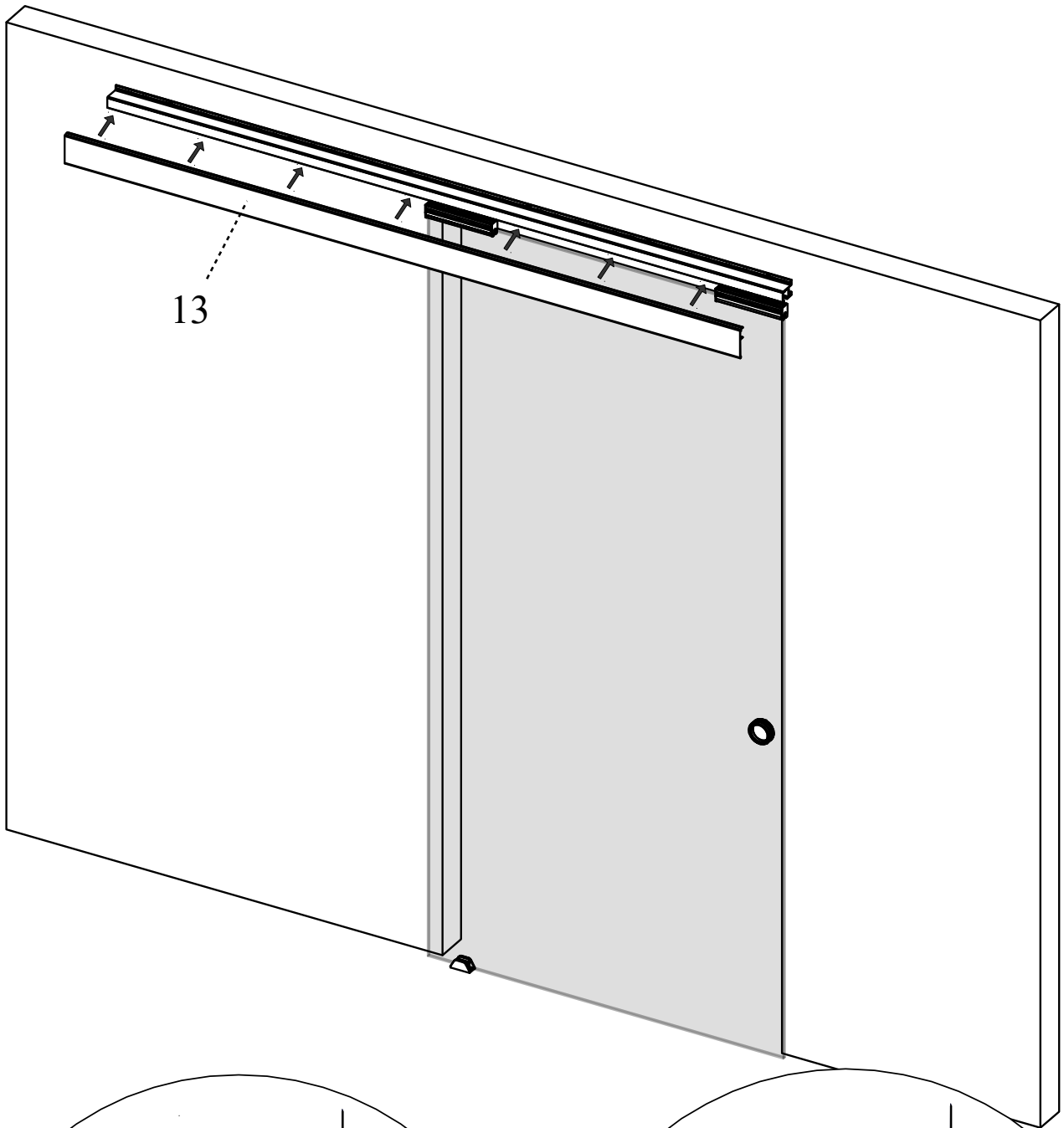
7



8



9



12

