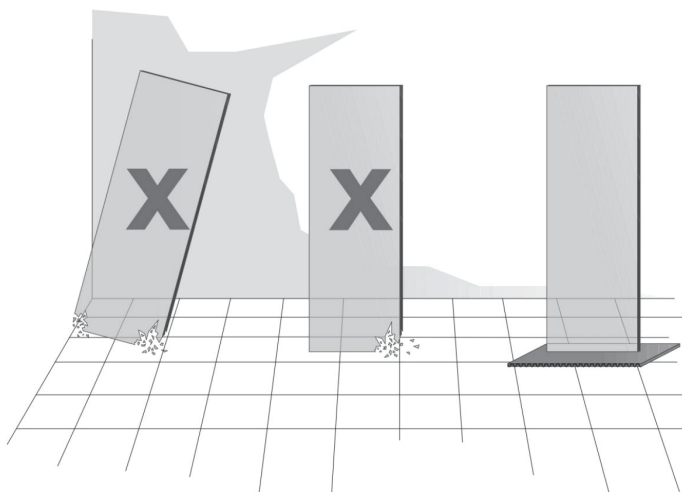


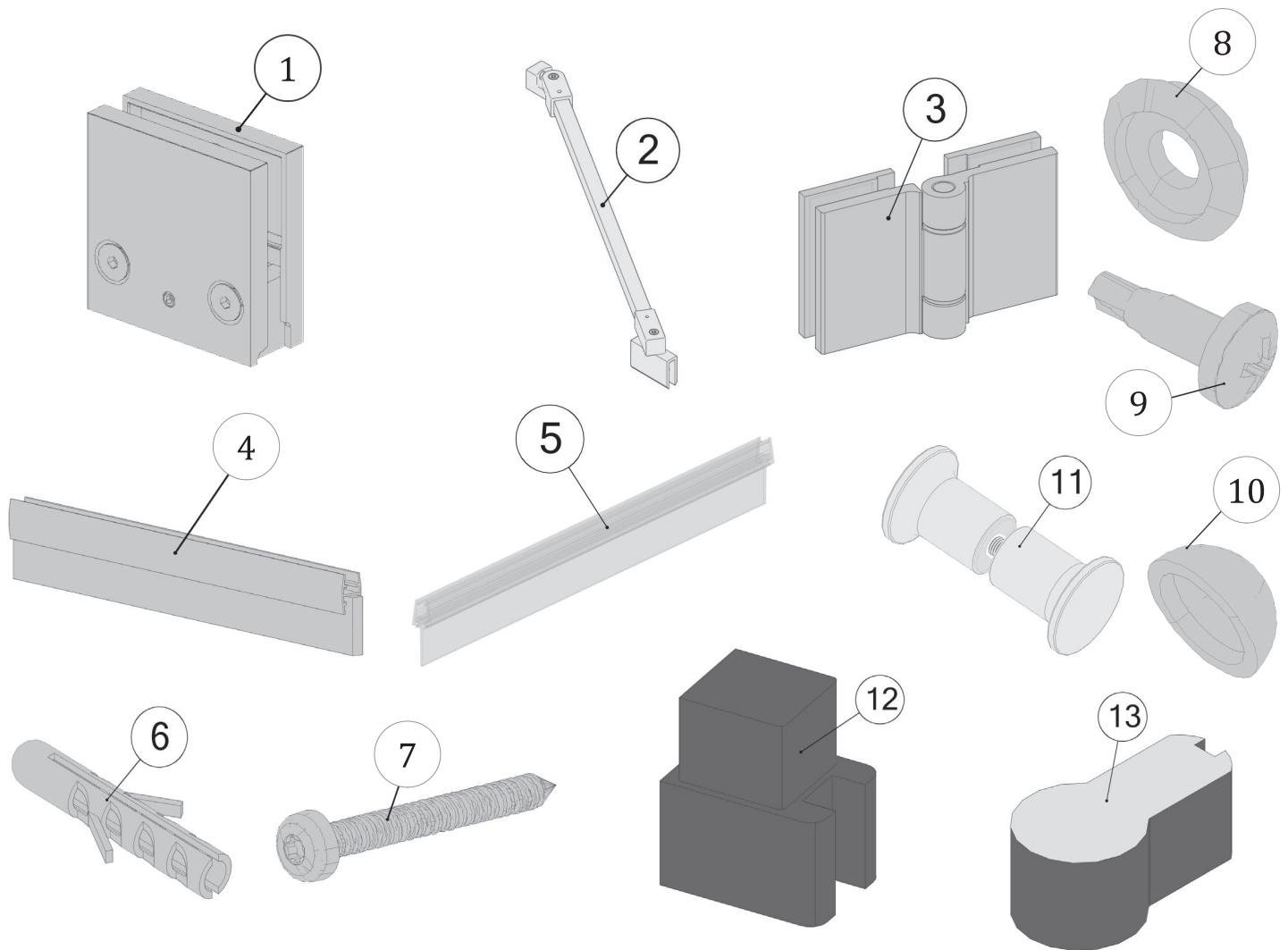


# Classic

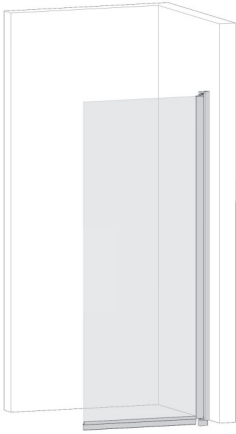


[ ]101 [ ]102 [ ]103 [ ]122

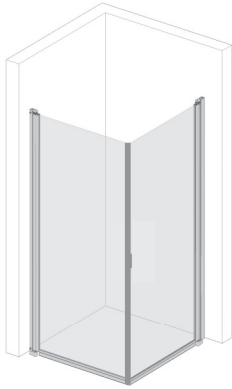




<b>PART</b>	<b>101</b>	<b>102 / 122</b>	<b>103</b>
1	x 1		
2	x 1		
3			x 2
4	x1		
5		x 1	x 2
6	x 5	x 4	x 4
7	x 5	x 4	x 4
8	x 4	x 4	x 4
9	x 4	x 4	x 4
10	x 4	x 4	x 4
11		x1	x1
12	x1		
13		x1	x1

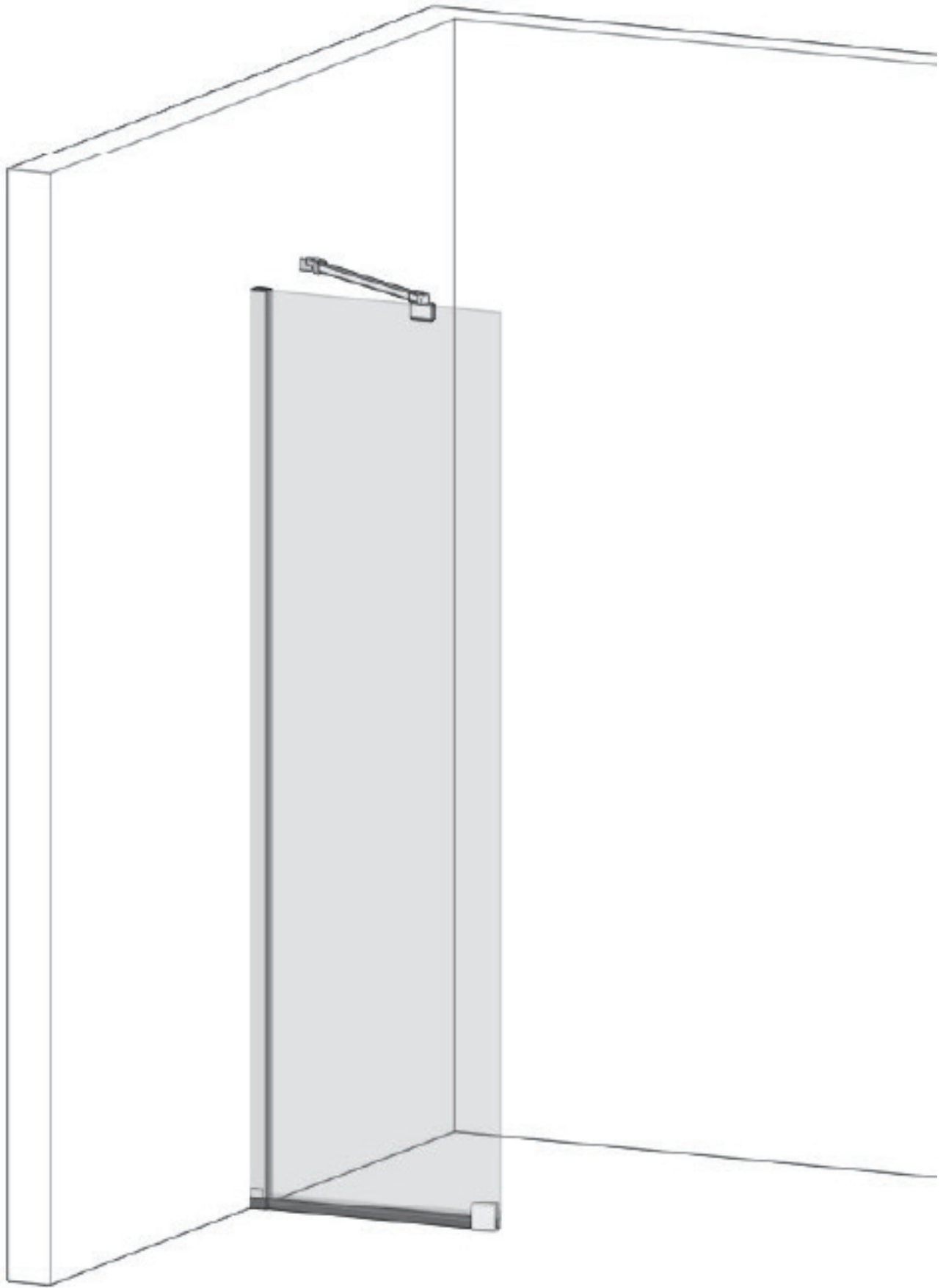


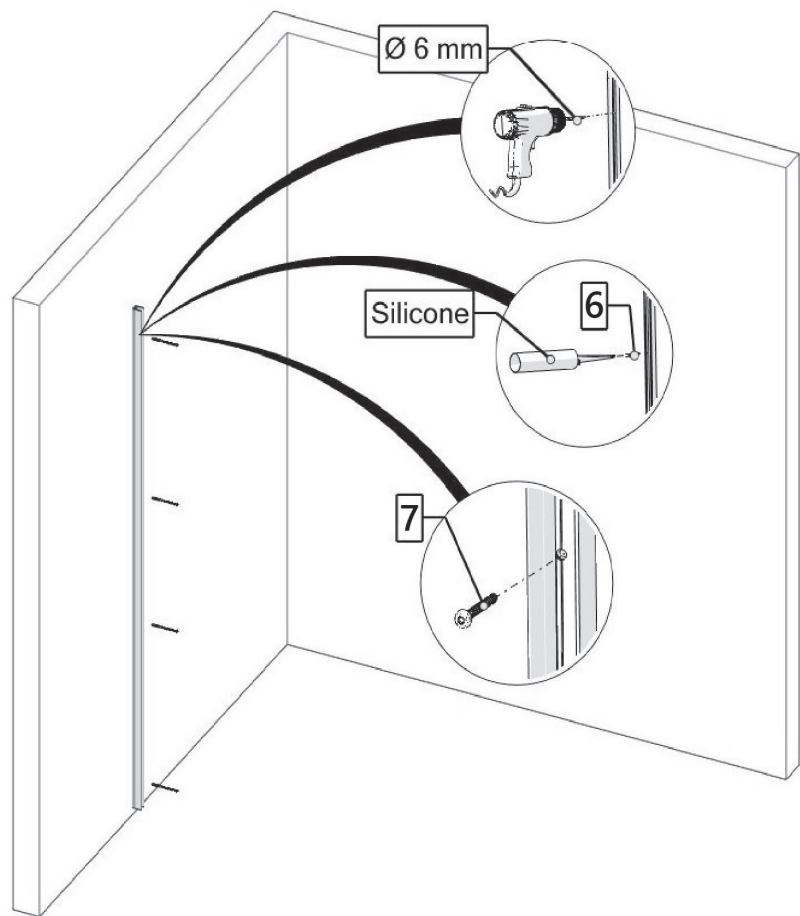
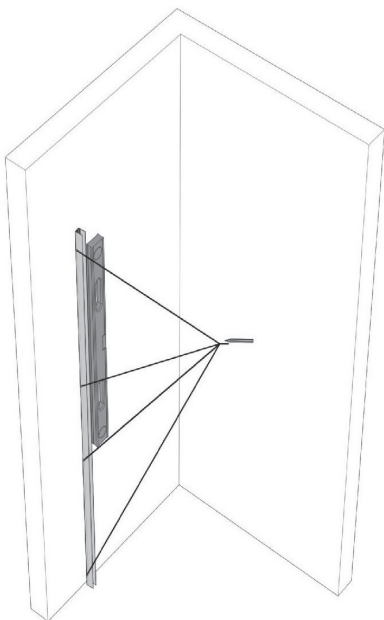
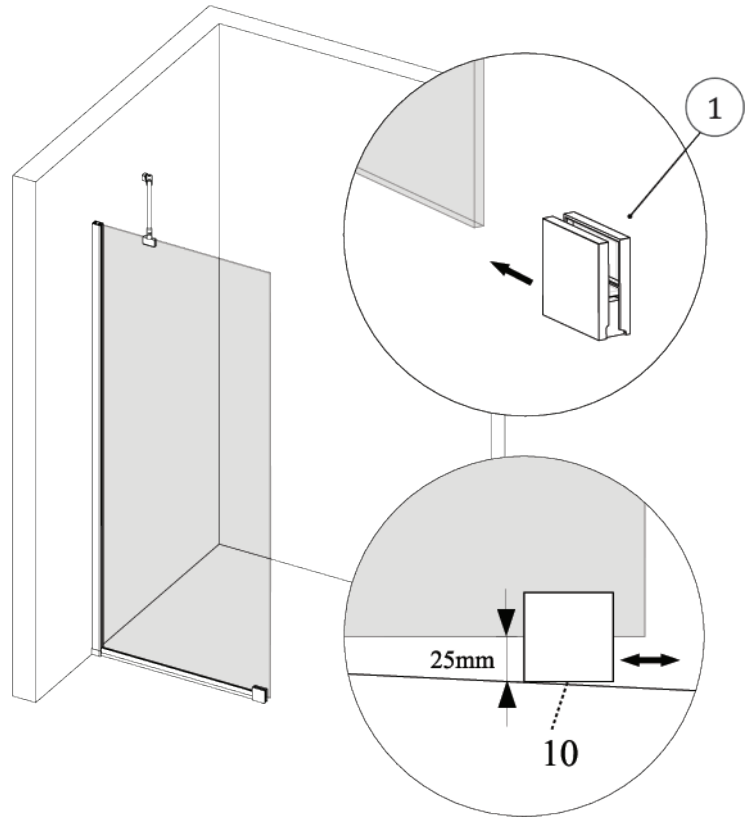
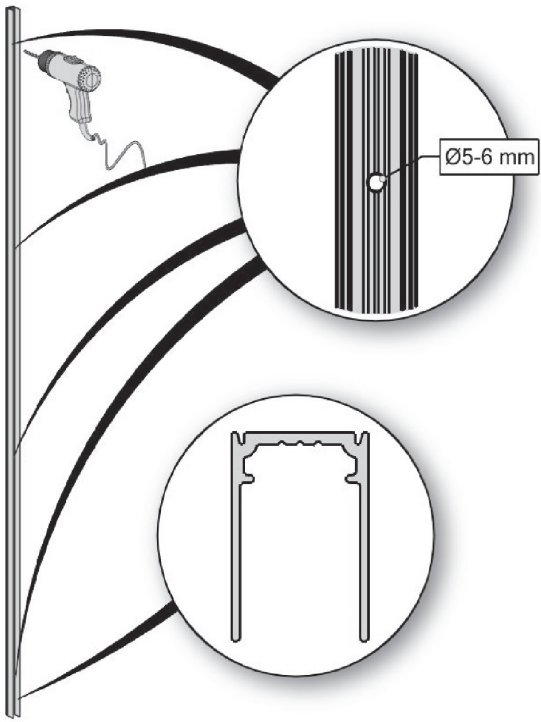
Classic 101	_____	4
Classic 102/122	_____	8
Classic 103	_____	11

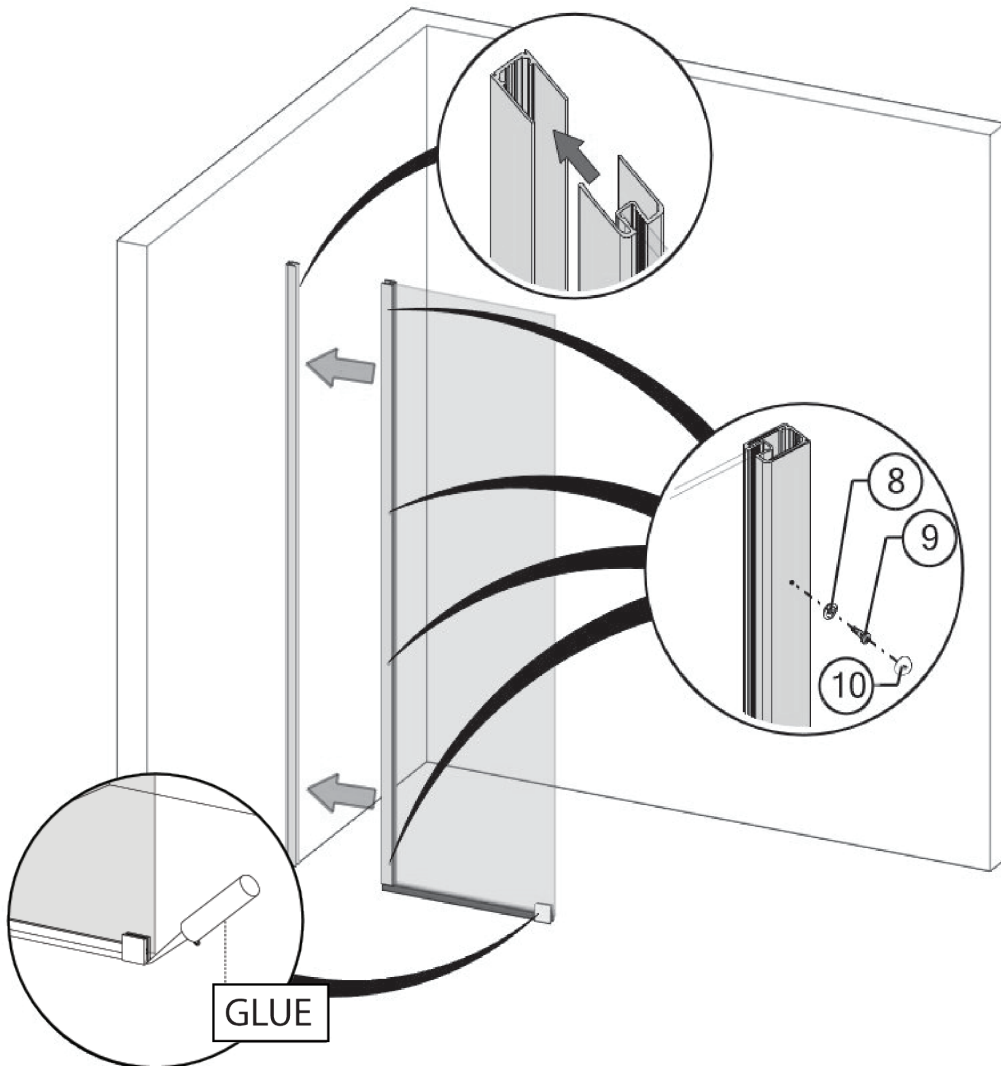
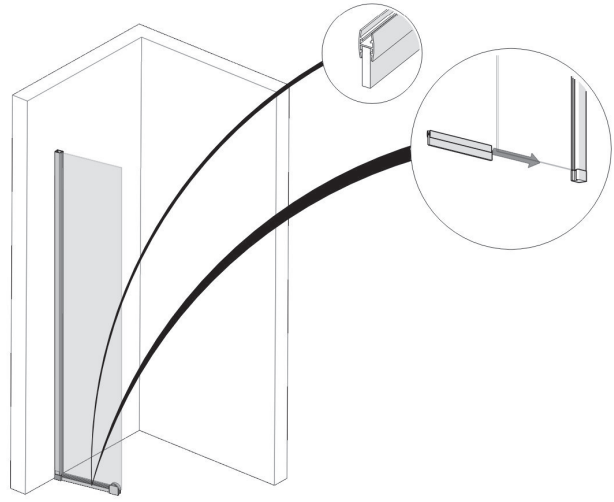
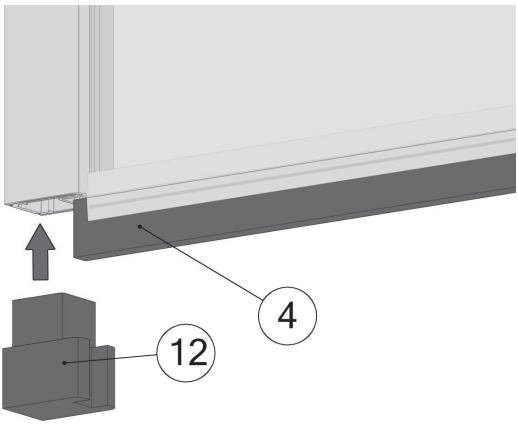


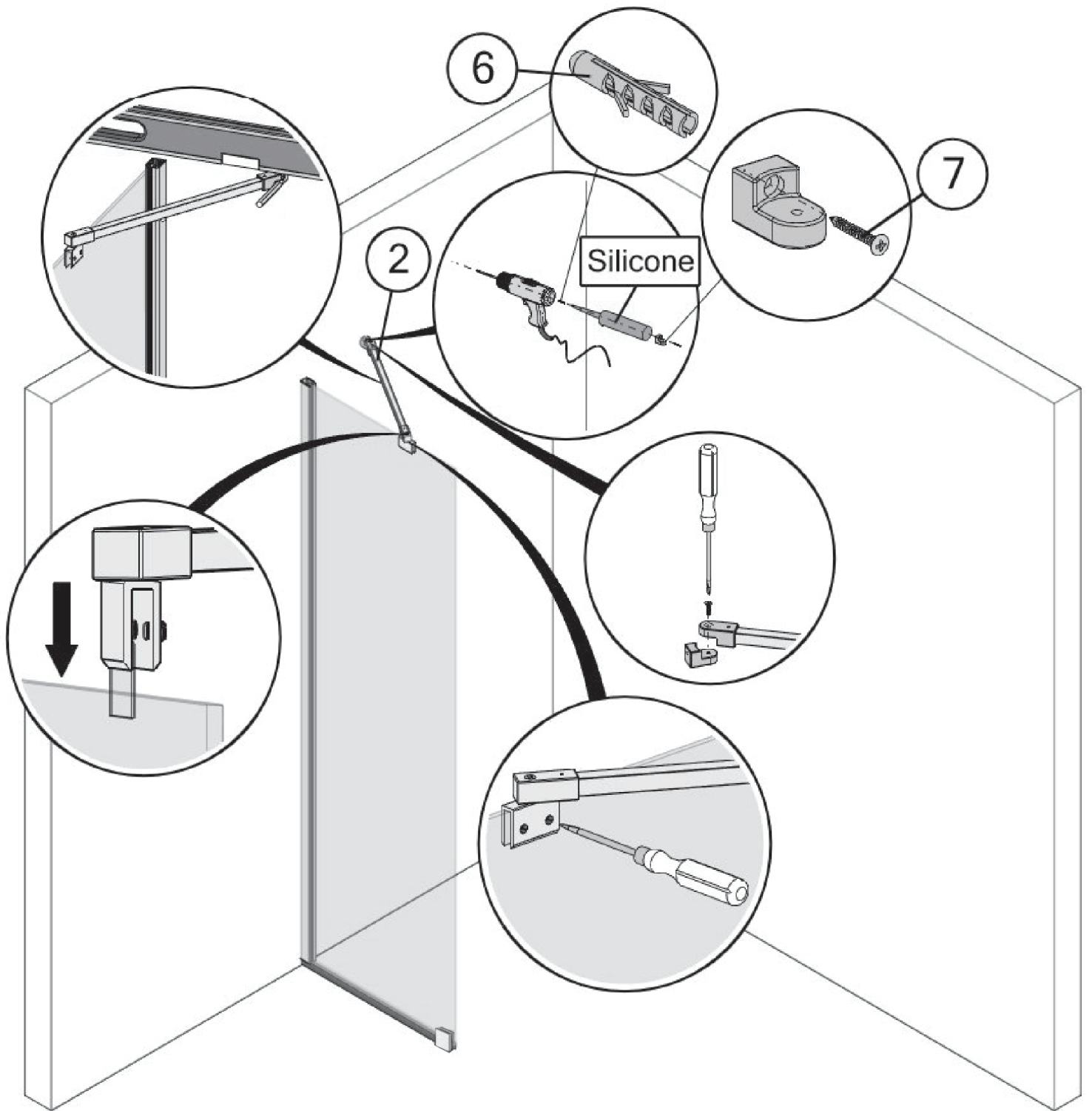
Classic 1XX x 1XX	_____	15
-------------------	-------	----

**101**

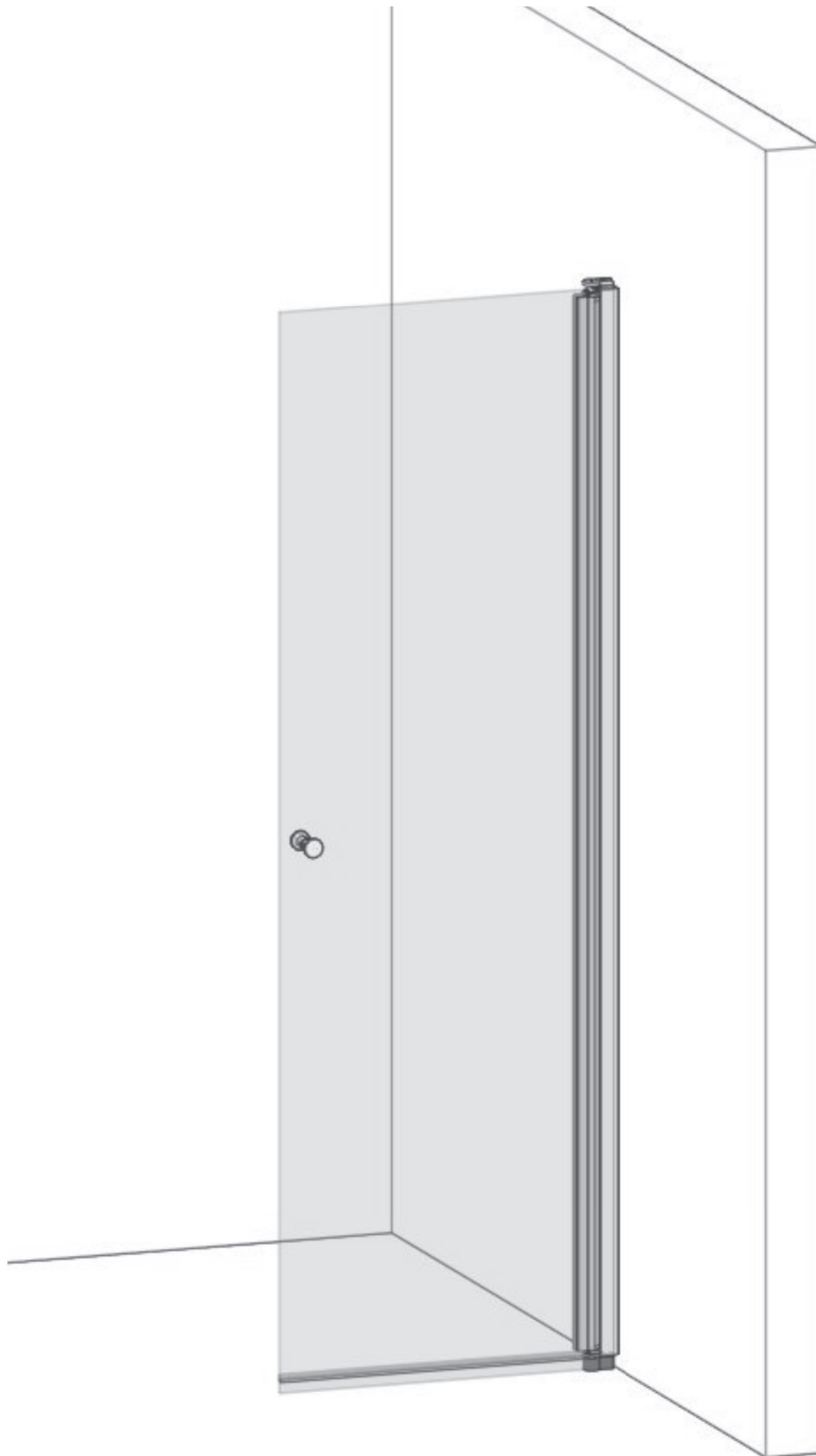




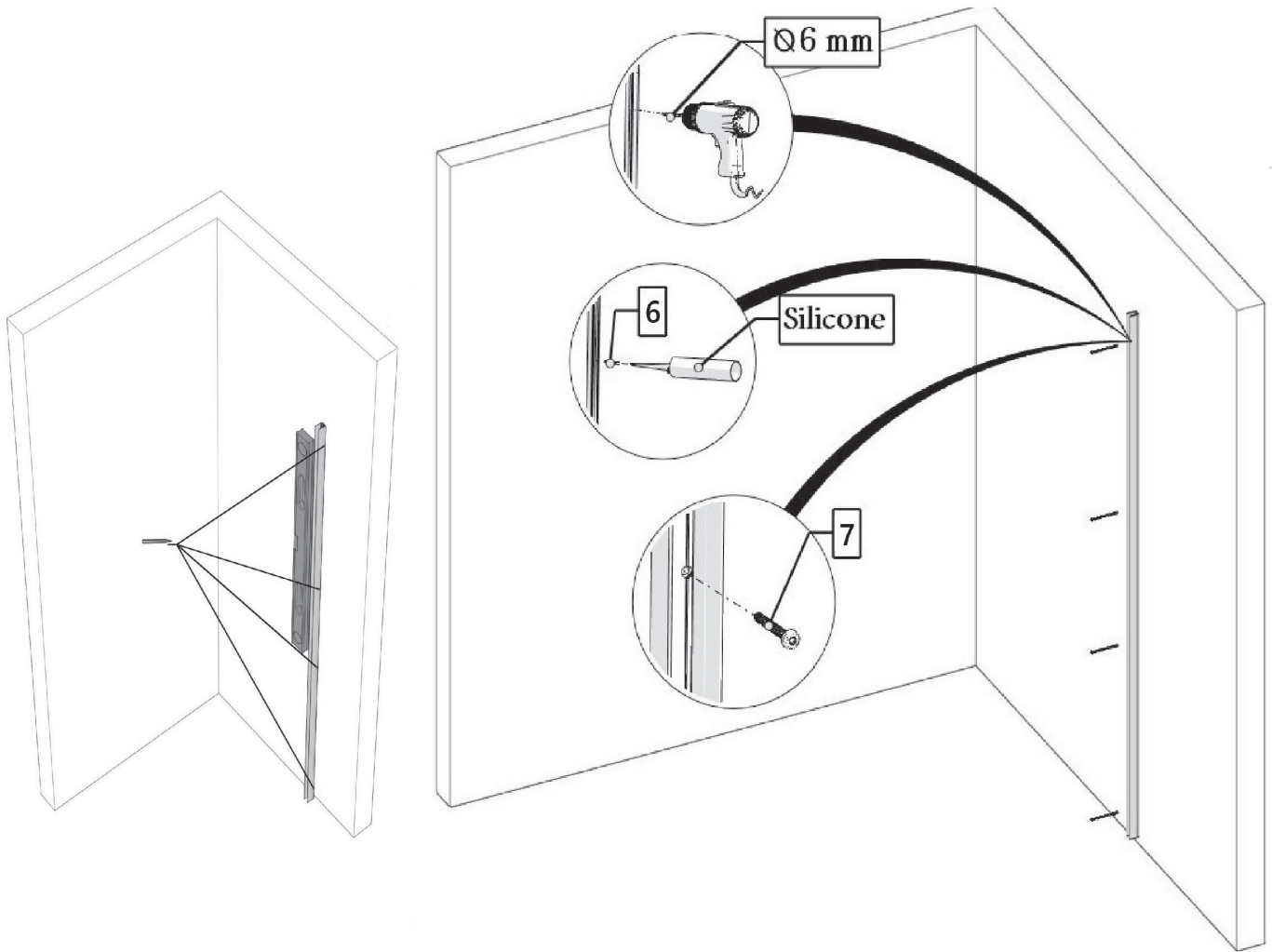
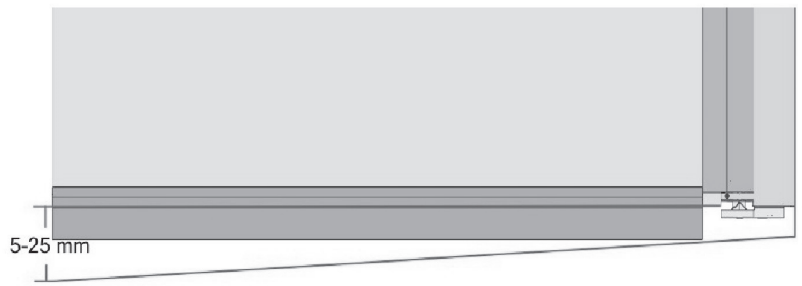
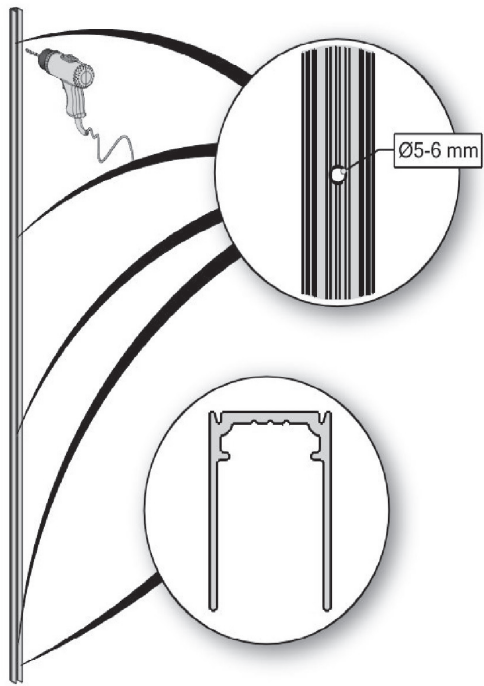


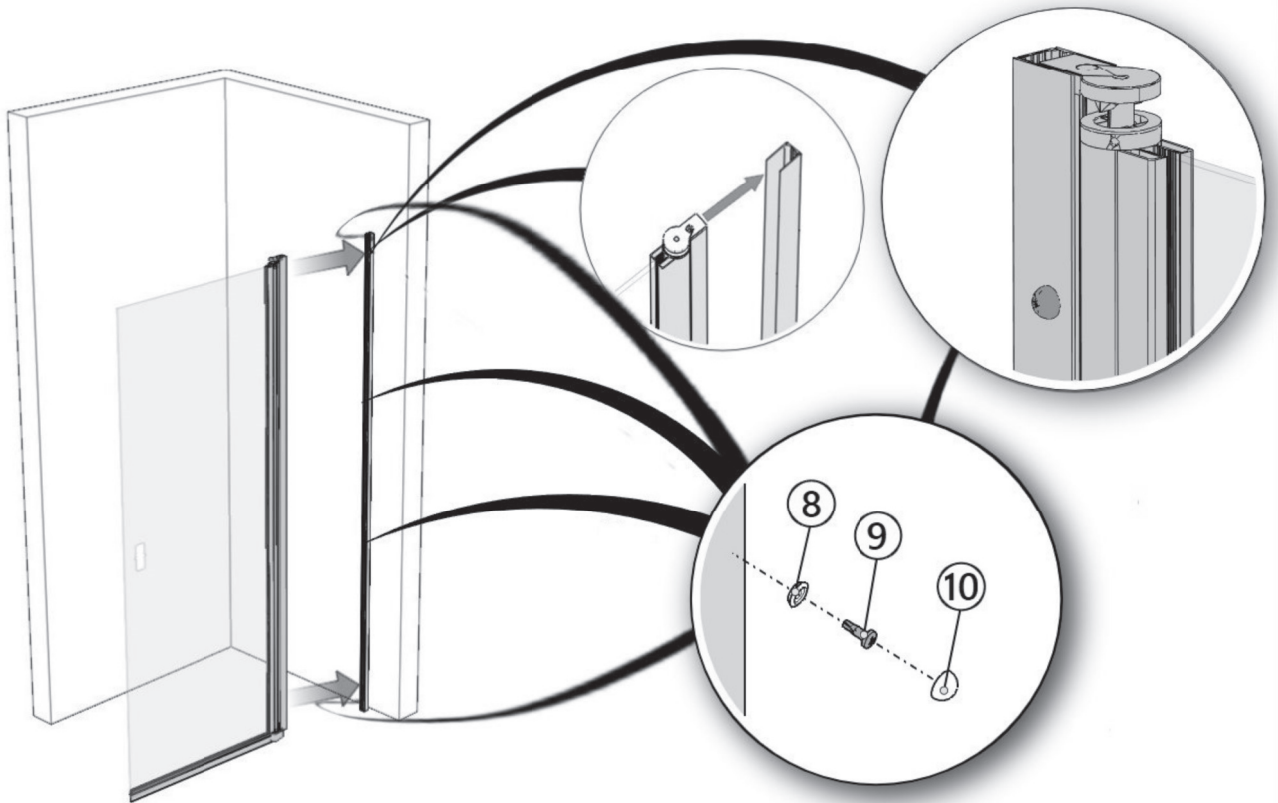
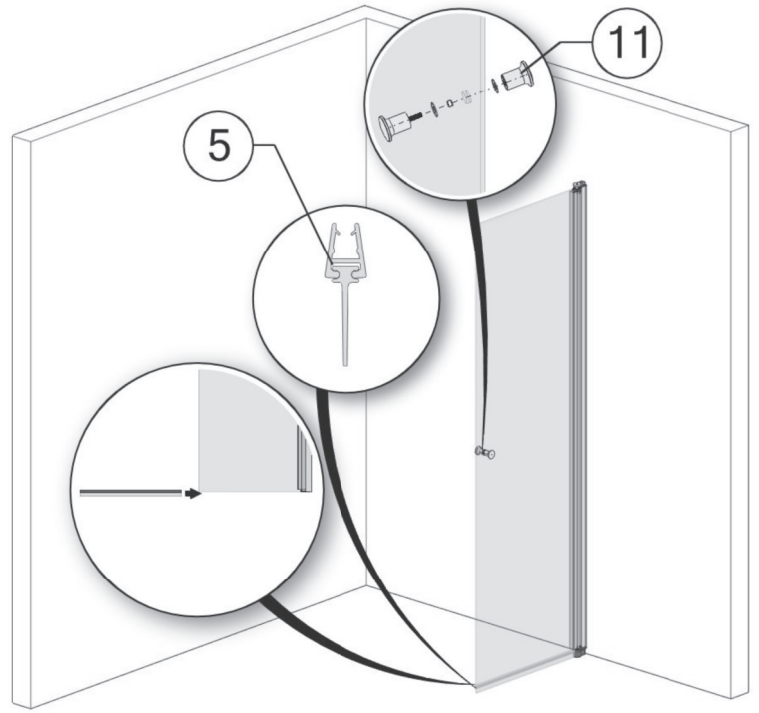
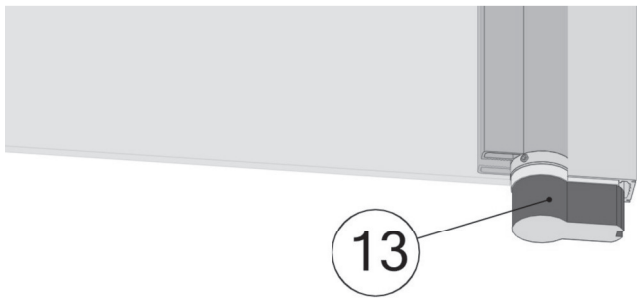


**102/122**

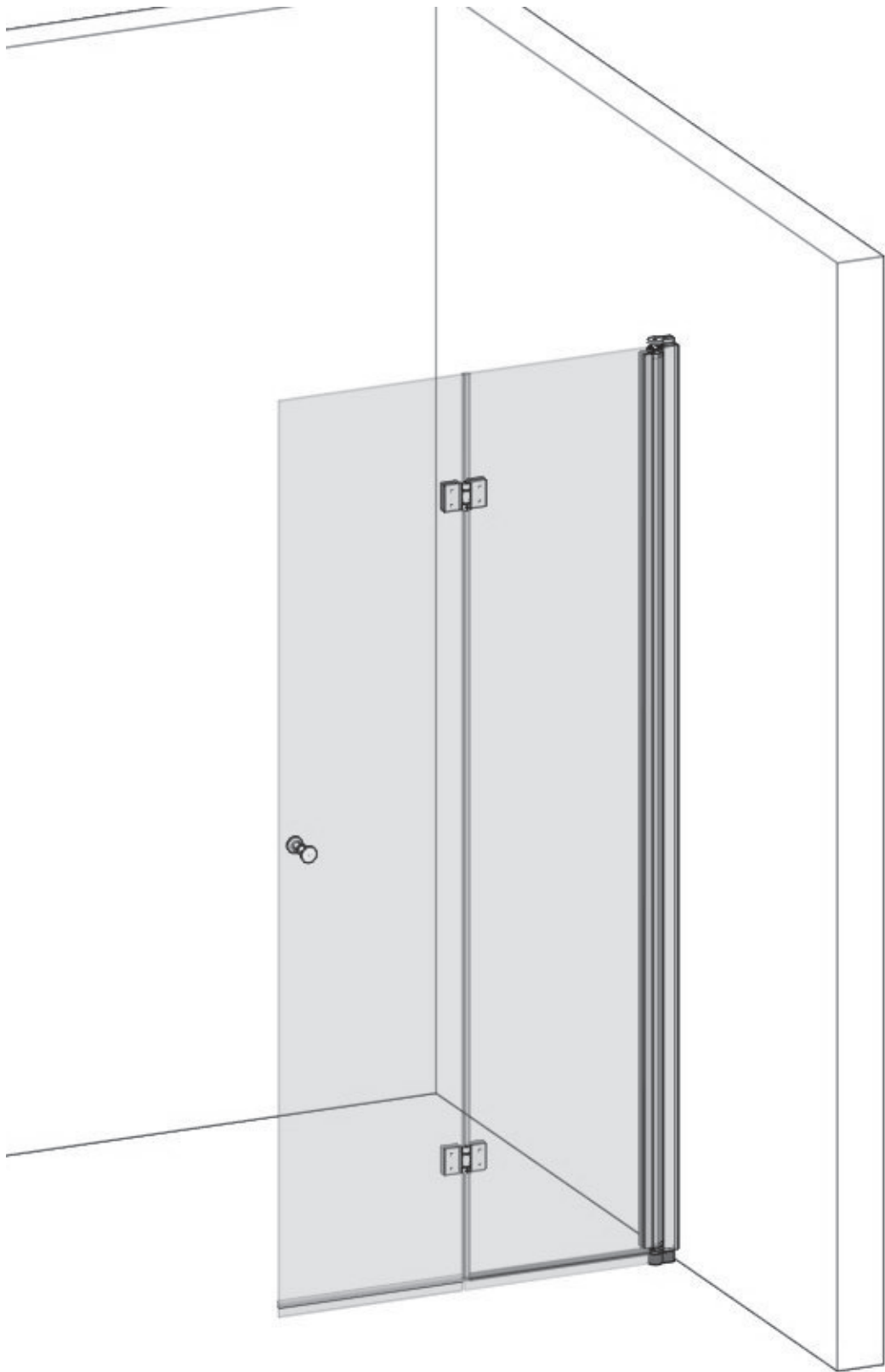


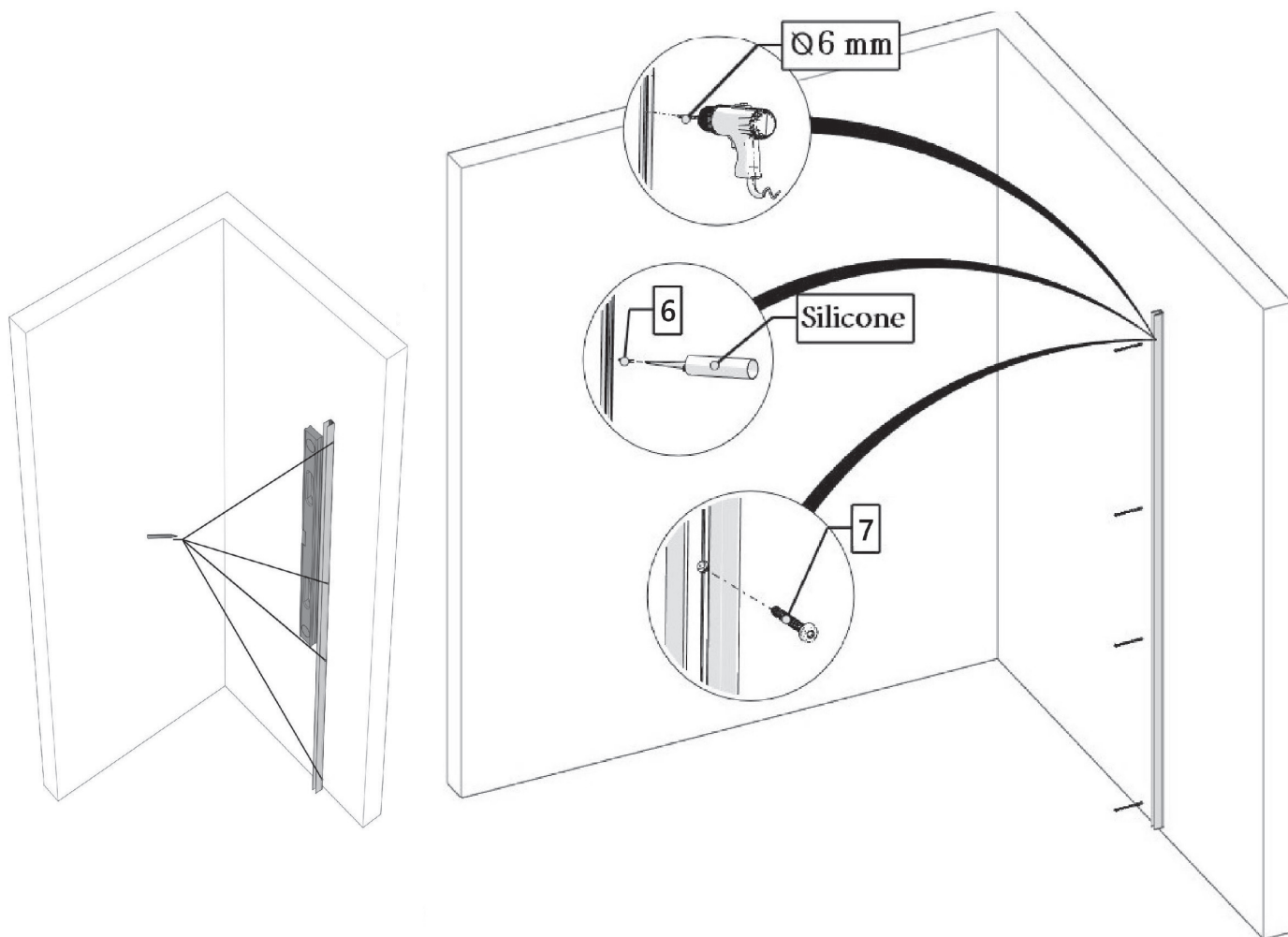
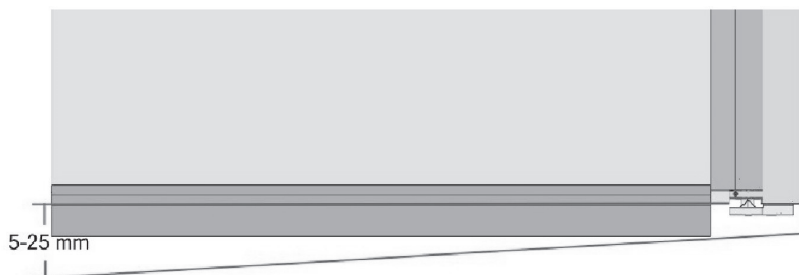
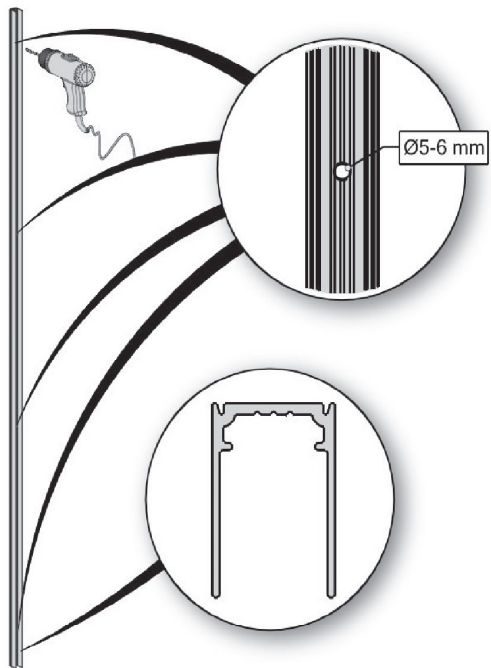


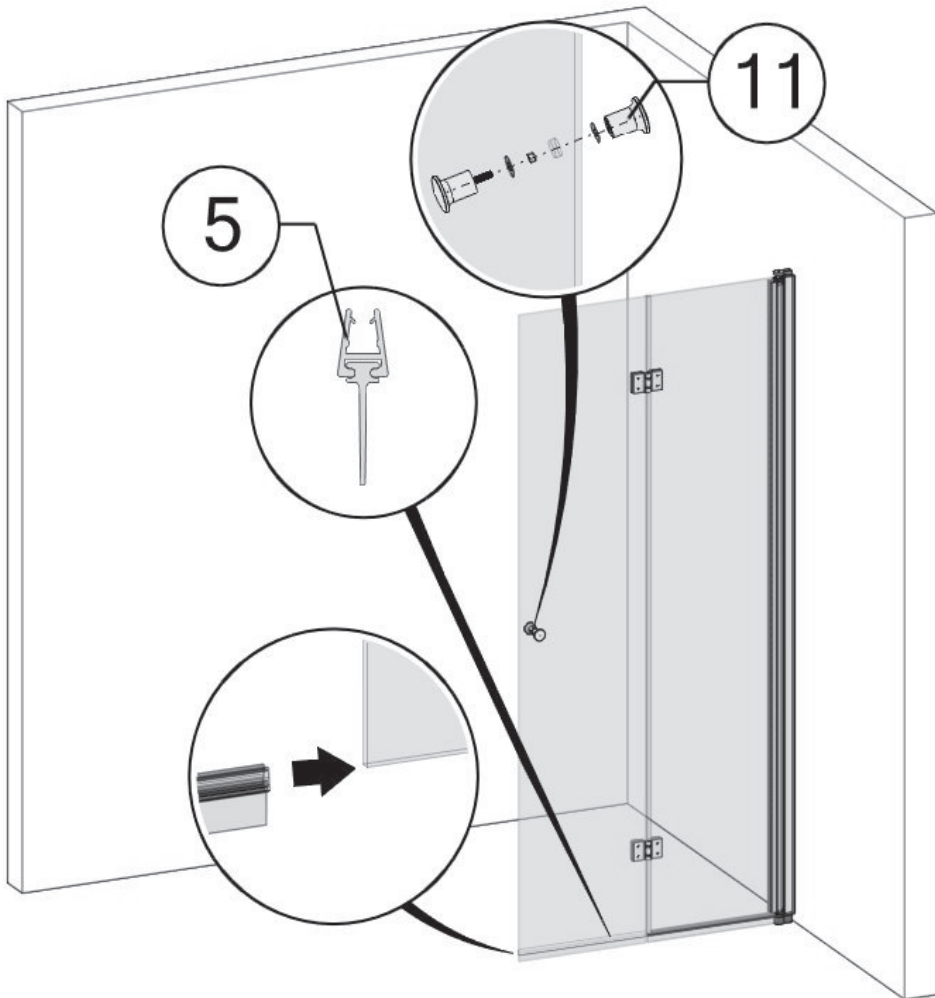
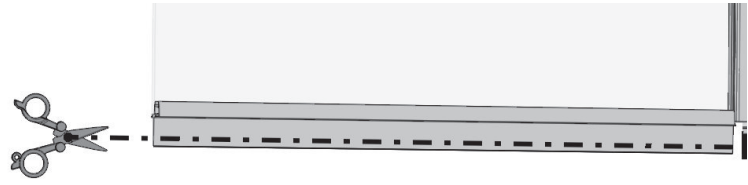
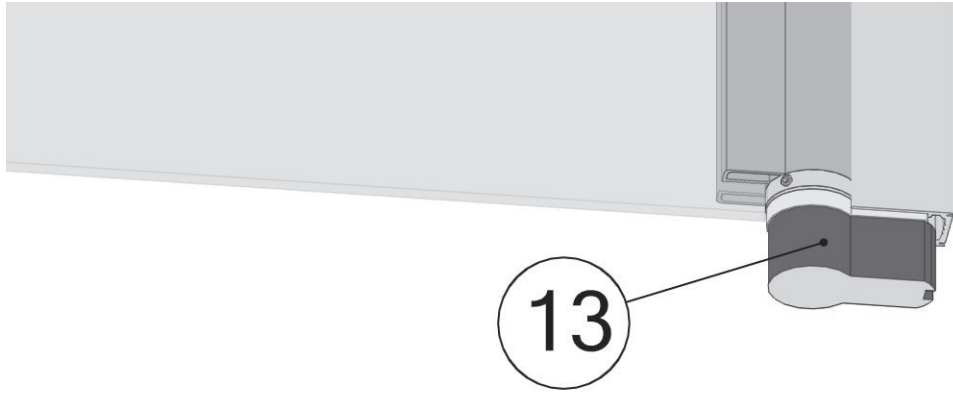


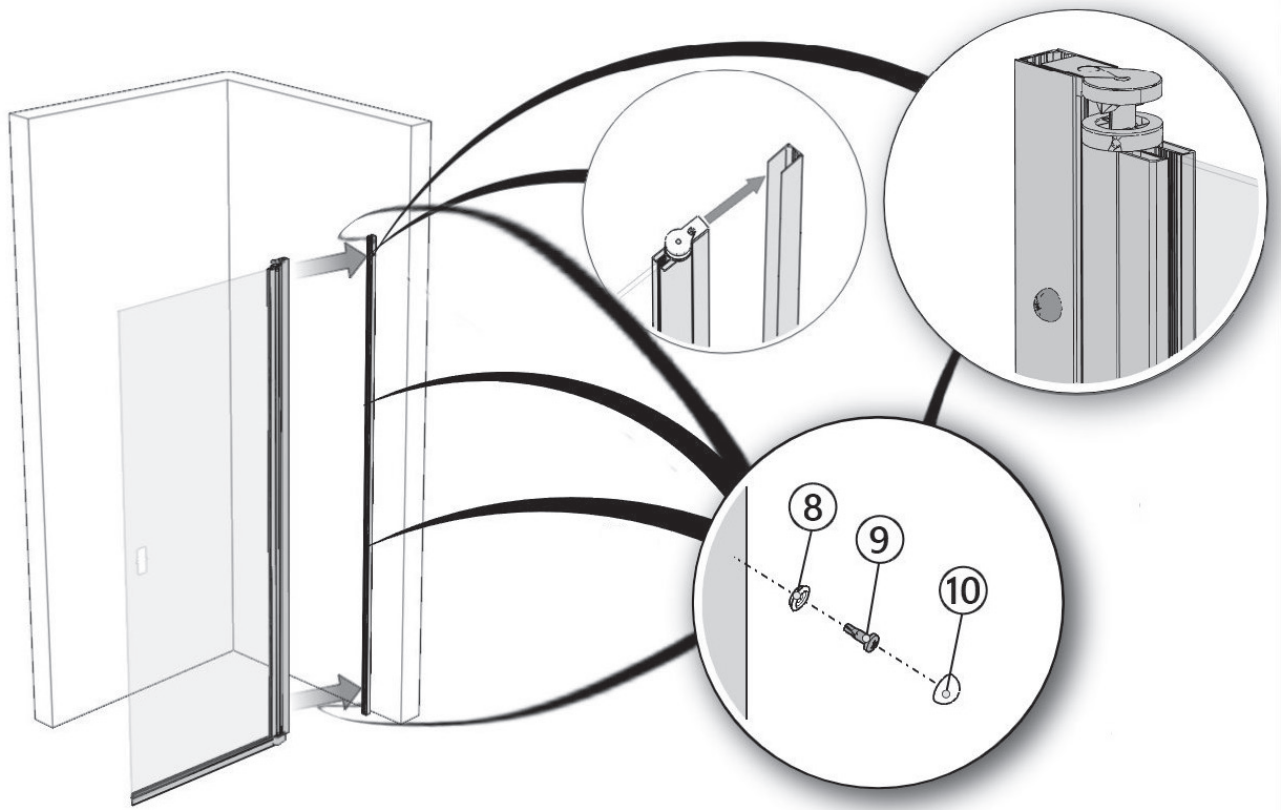


103

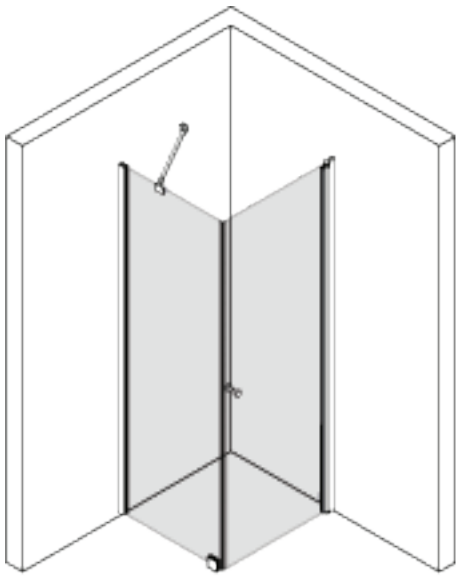




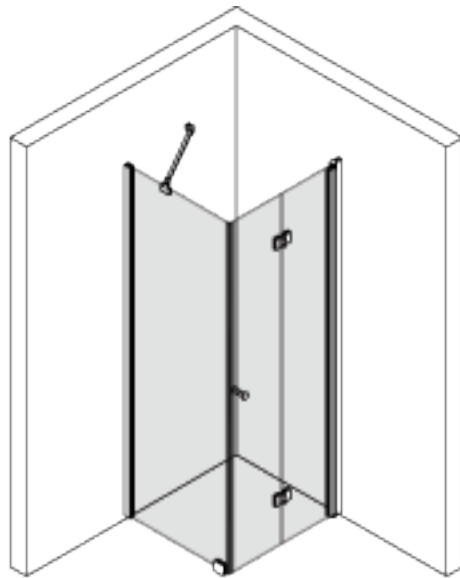




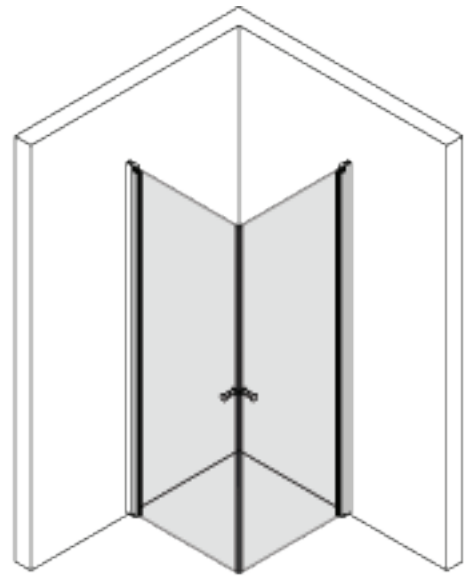
# 1XX x 1XX



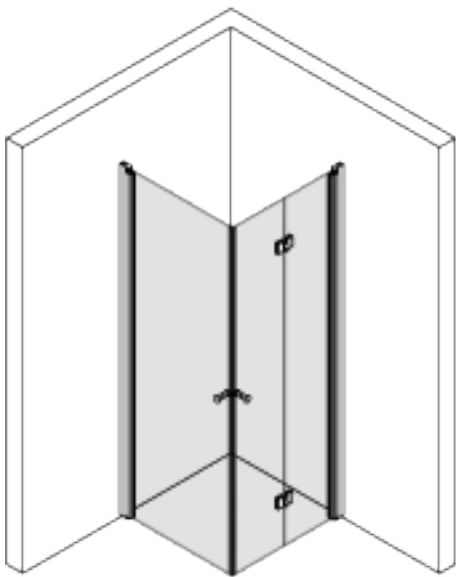
101 x 102



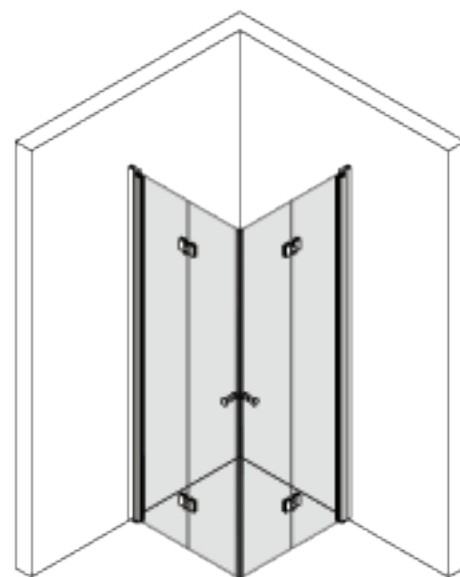
101 x 103



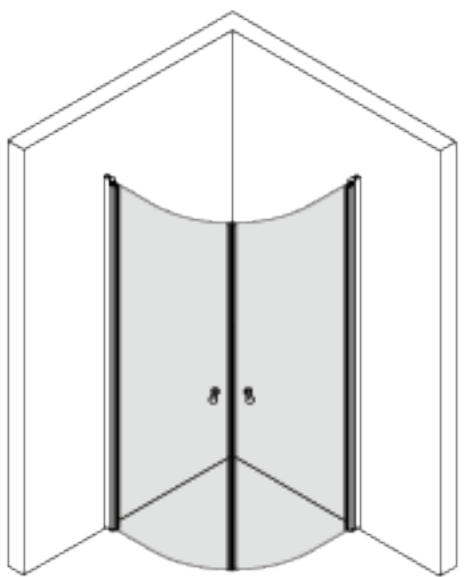
102 x 102



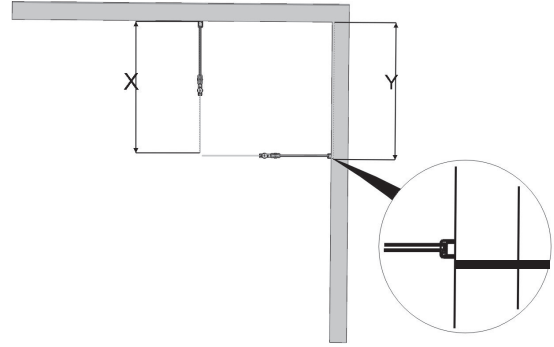
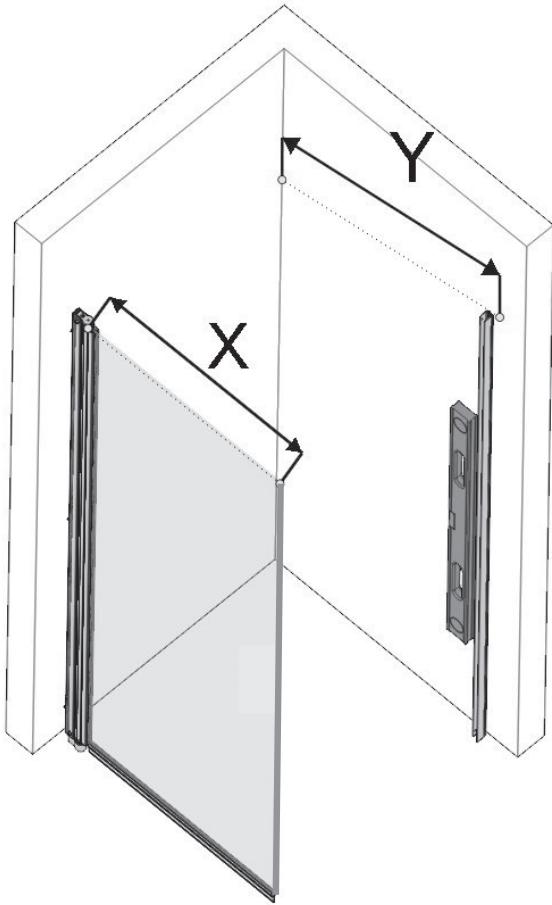
102 x 103



103 x 103



122 x 122



	<b>X, mm</b>	<b>Y, mm</b>		<b>X, mm</b>	<b>Y, mm</b>
<b>101</b>	629 729 829	652-672 752-772 852-872	<b>102</b>	679 779 879	702-717 802-817 902-917
<b>103</b>	358+308 408+358 458+408	696-711 796-811 896-911	<b>122</b>	638 738	800-815 900-915