

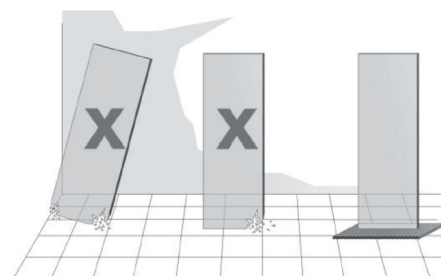
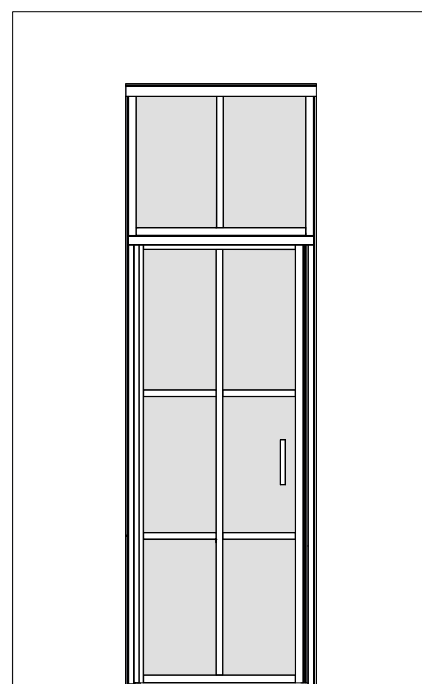
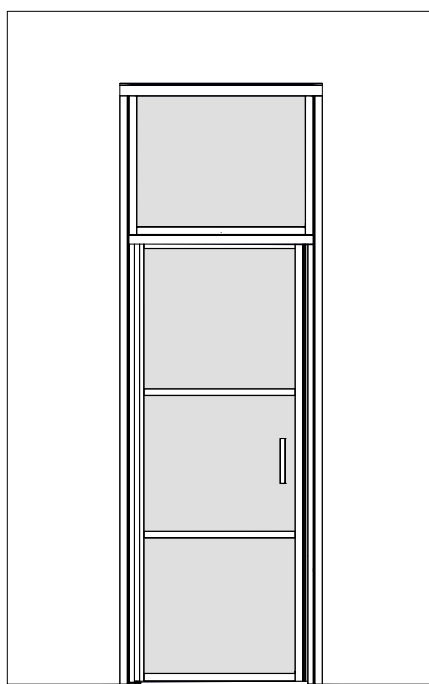
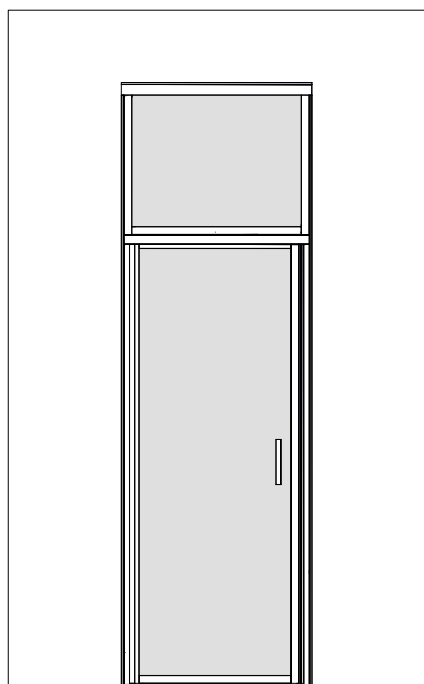


HIETAKARI®

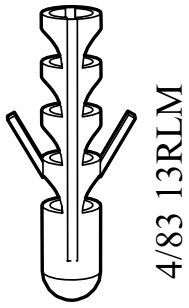


8/25 6ERLM

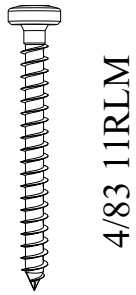
701/702/703



Parts



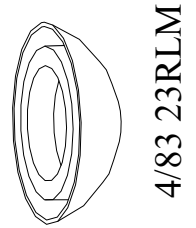
1. 6x30 mm
x16



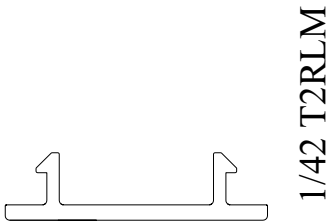
2. 4.5x45 mm
x16



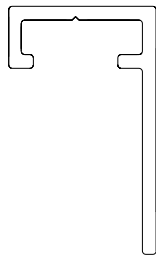
3. 4.2x13 mm
x20



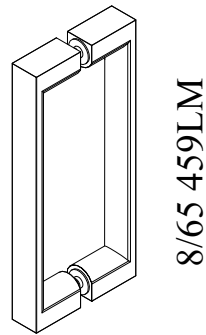
4. x20



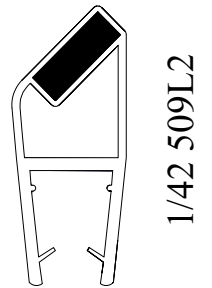
5. x2



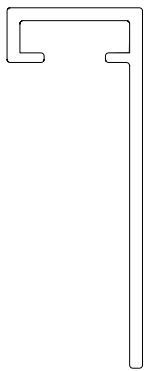
6. x2



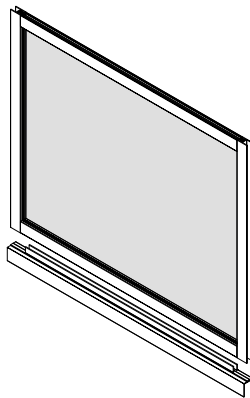
7. x1



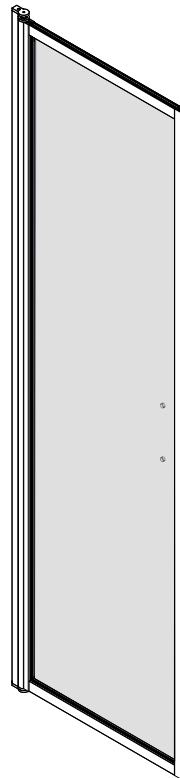
8. x2



9. x2



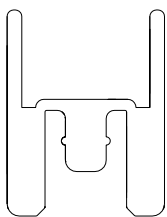
10. x1



11. x1

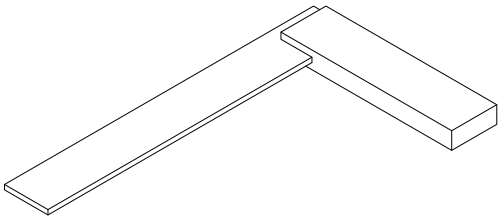


12. x2

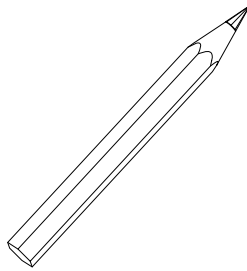


13. x1

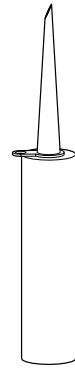
Tools



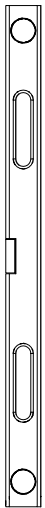
A



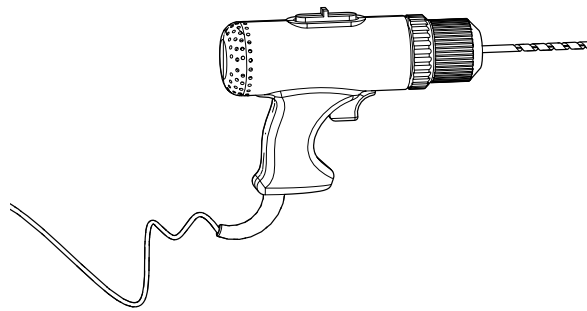
B



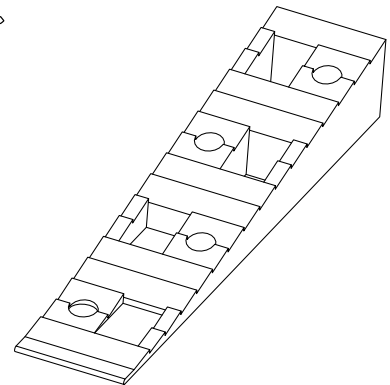
C – Glue
D – Silicone



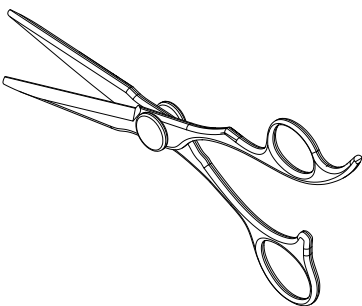
E



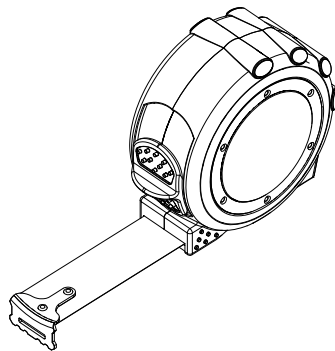
Ø6 mm
F



G

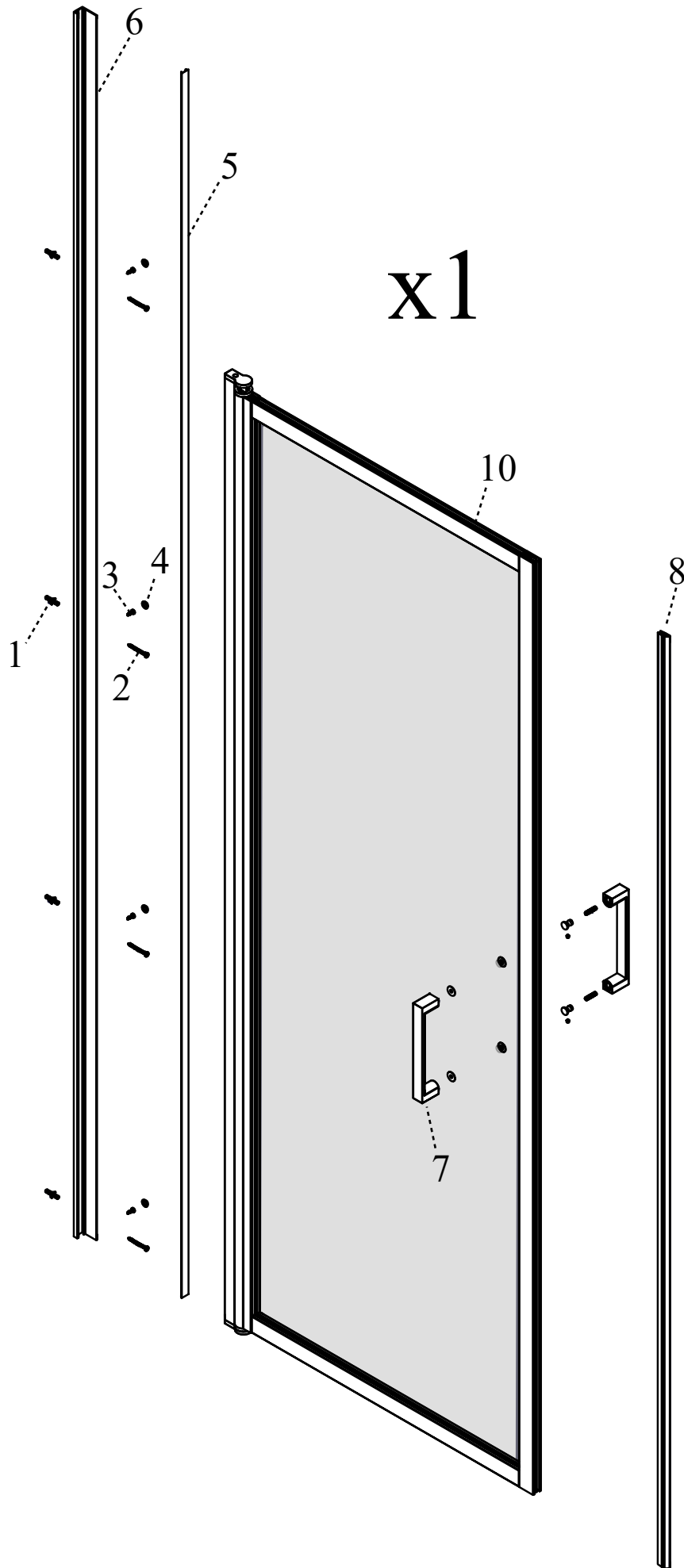


H



I

1/3



1.1

1.2

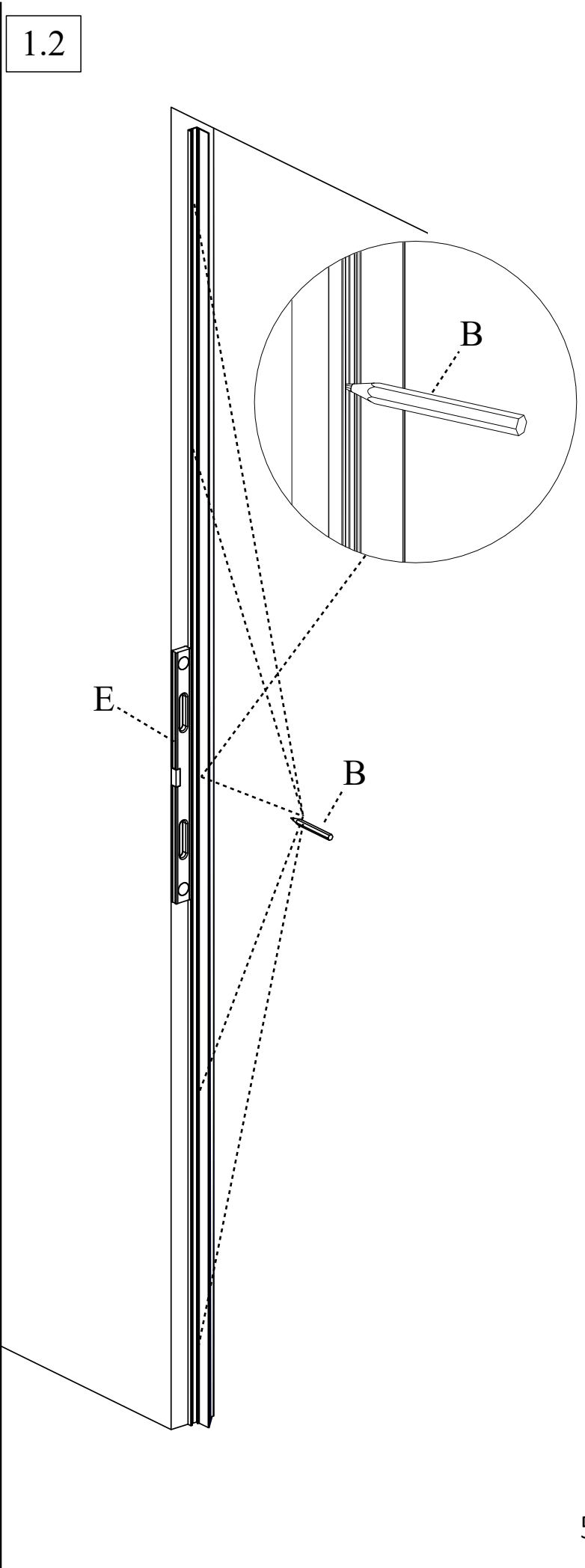
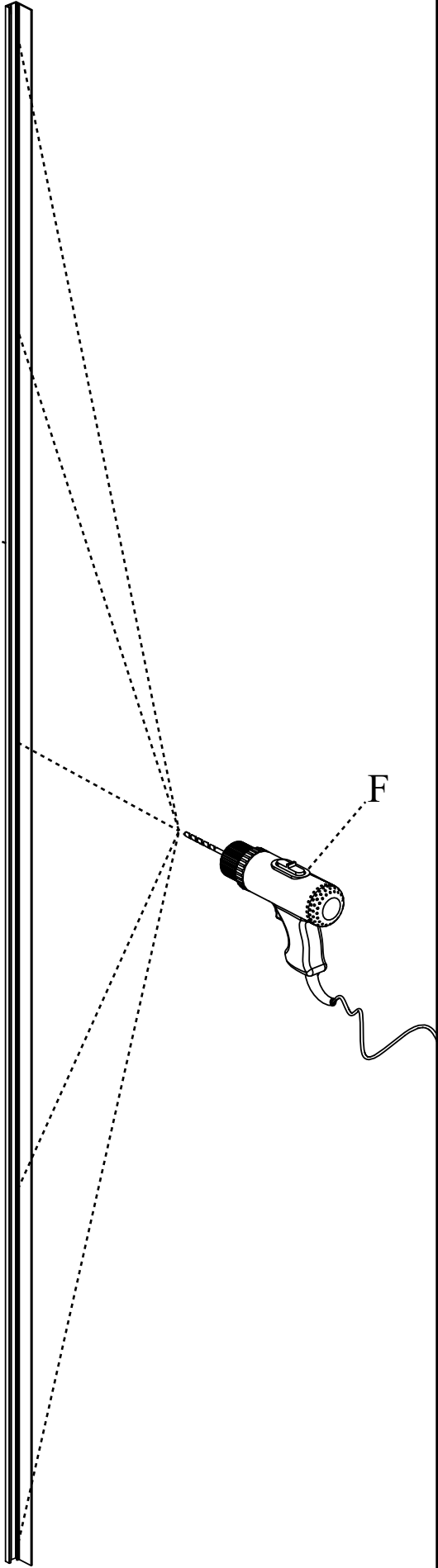
6

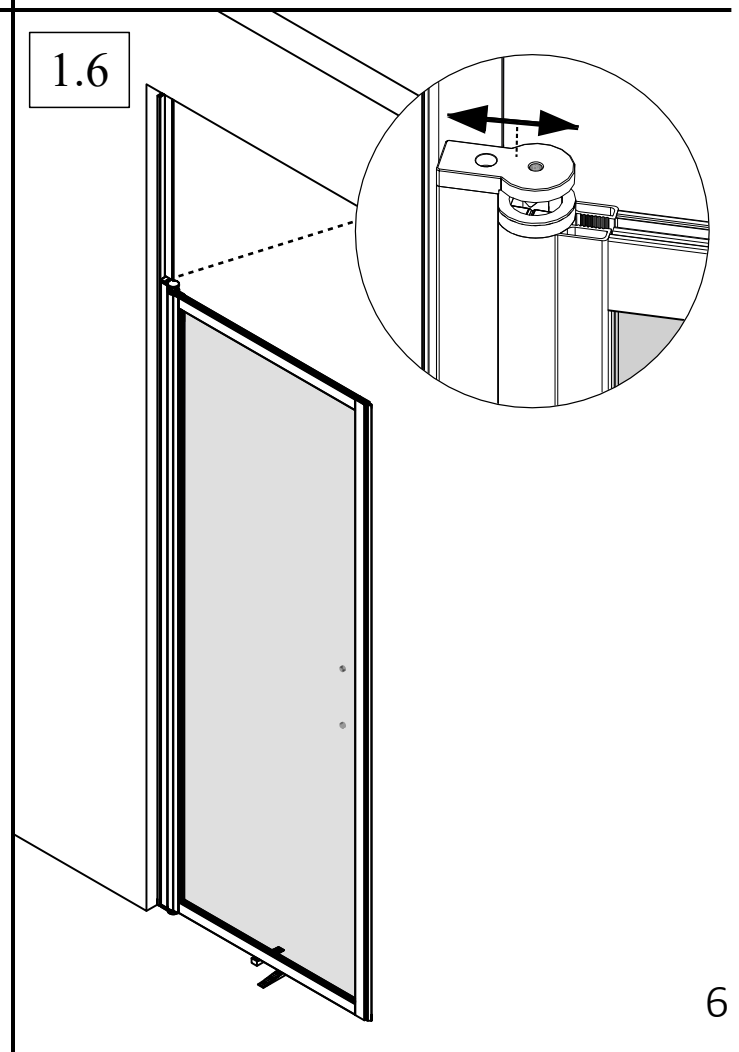
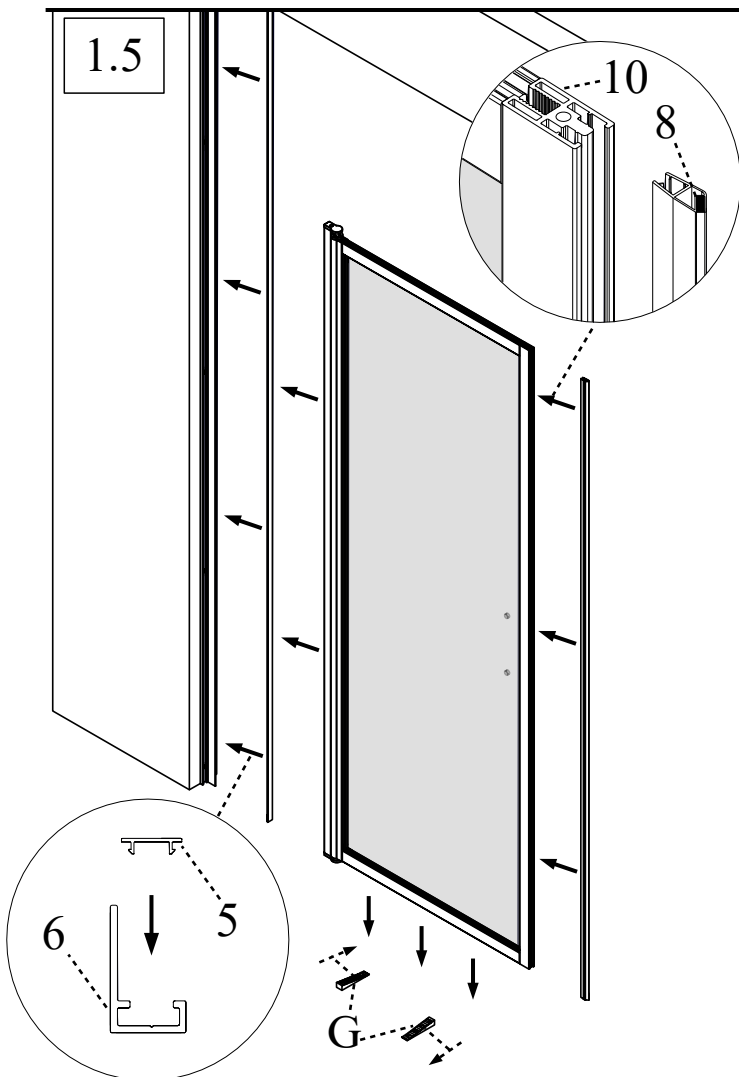
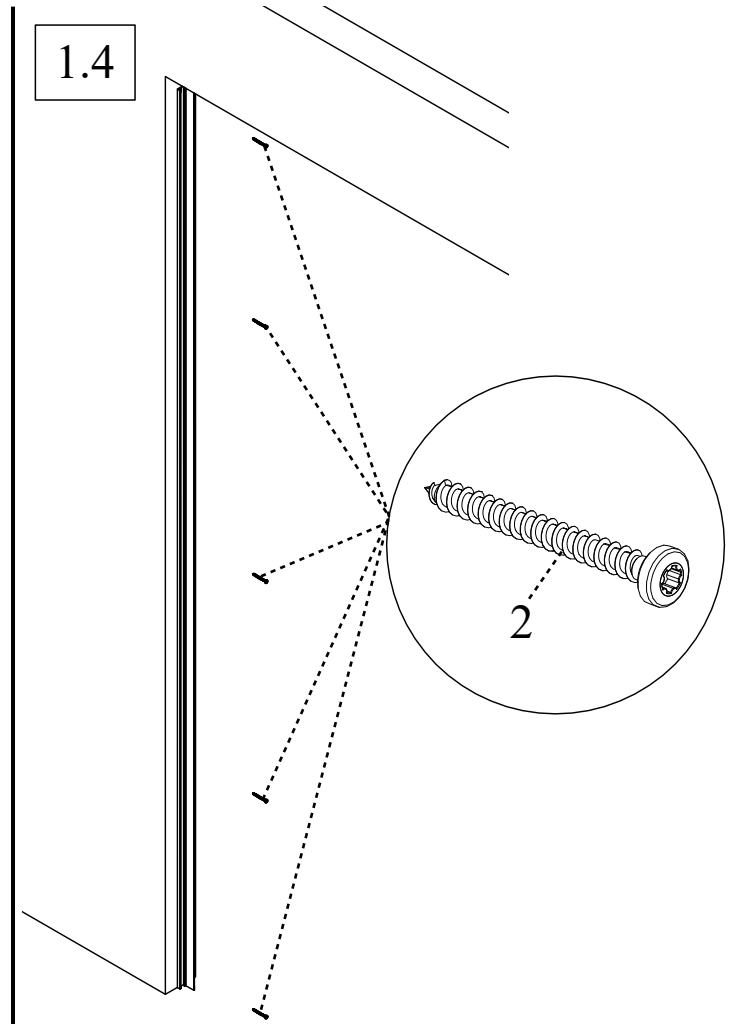
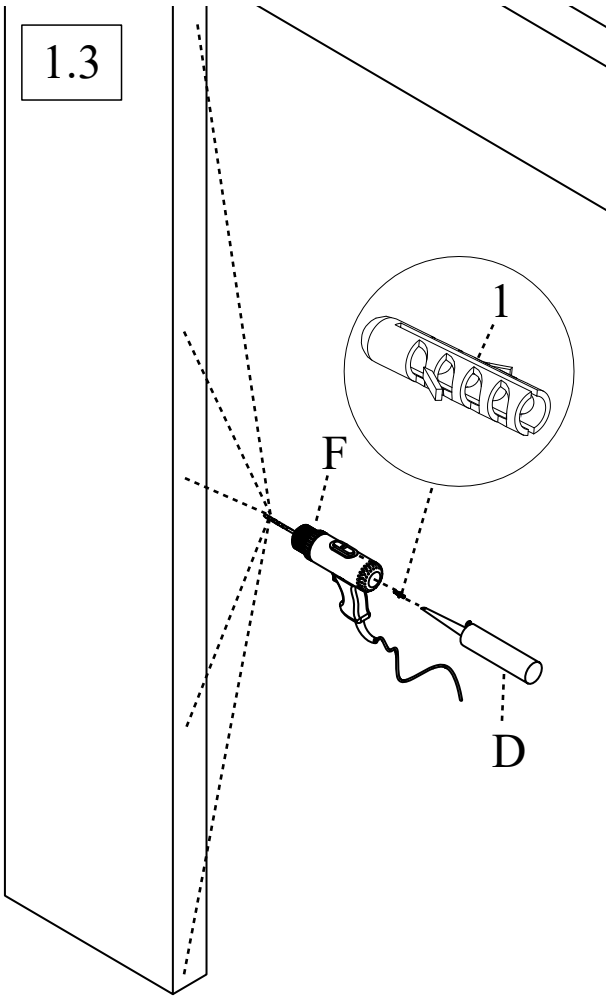
F

E

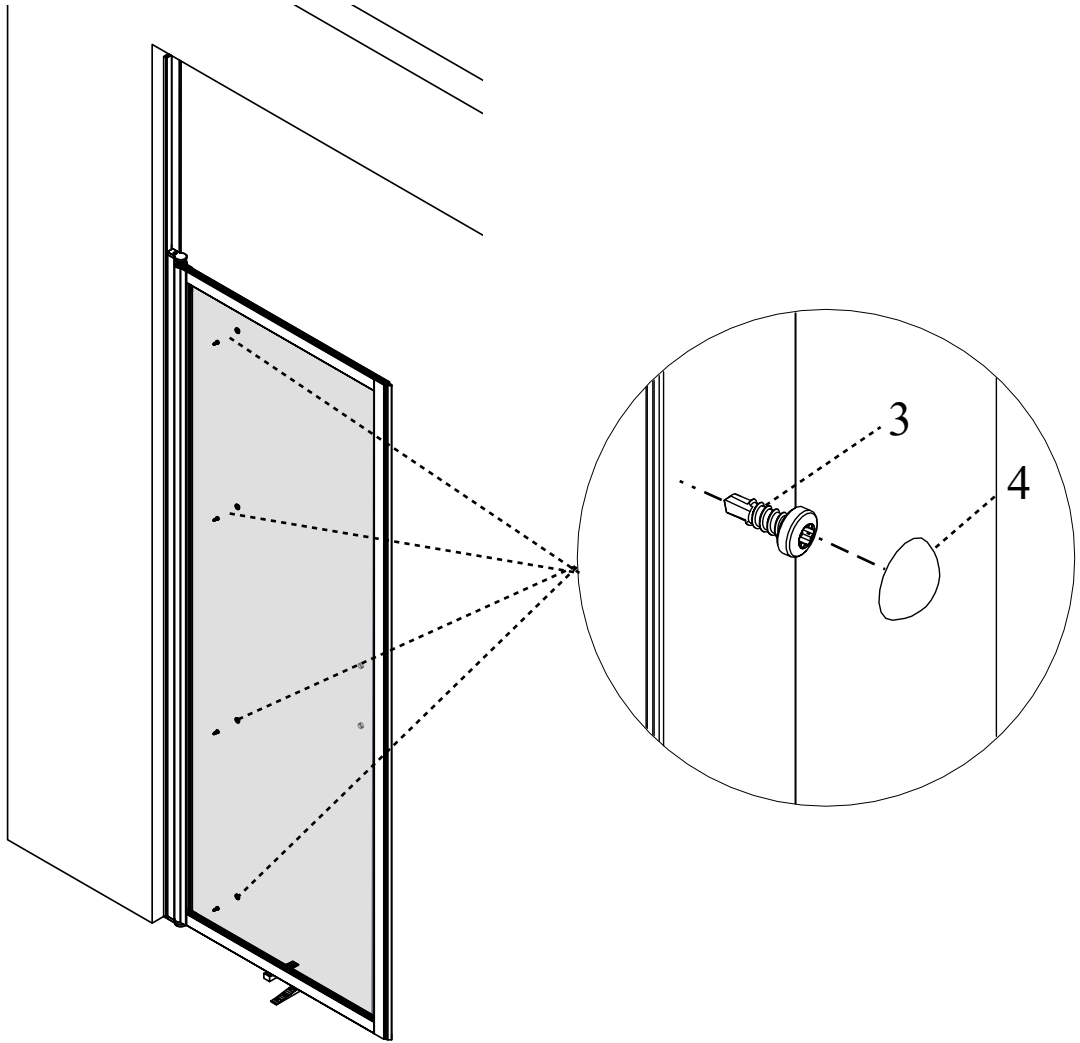
B

B

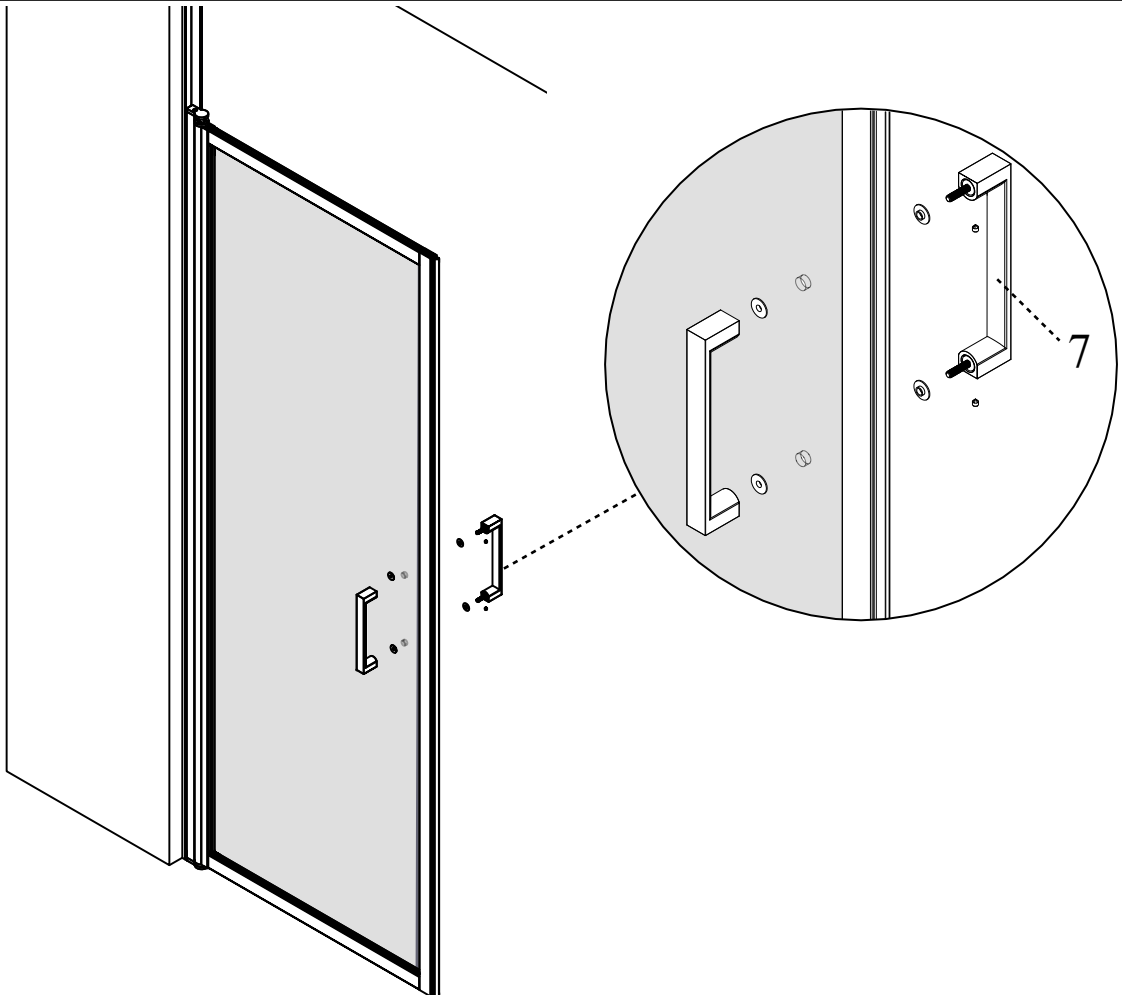




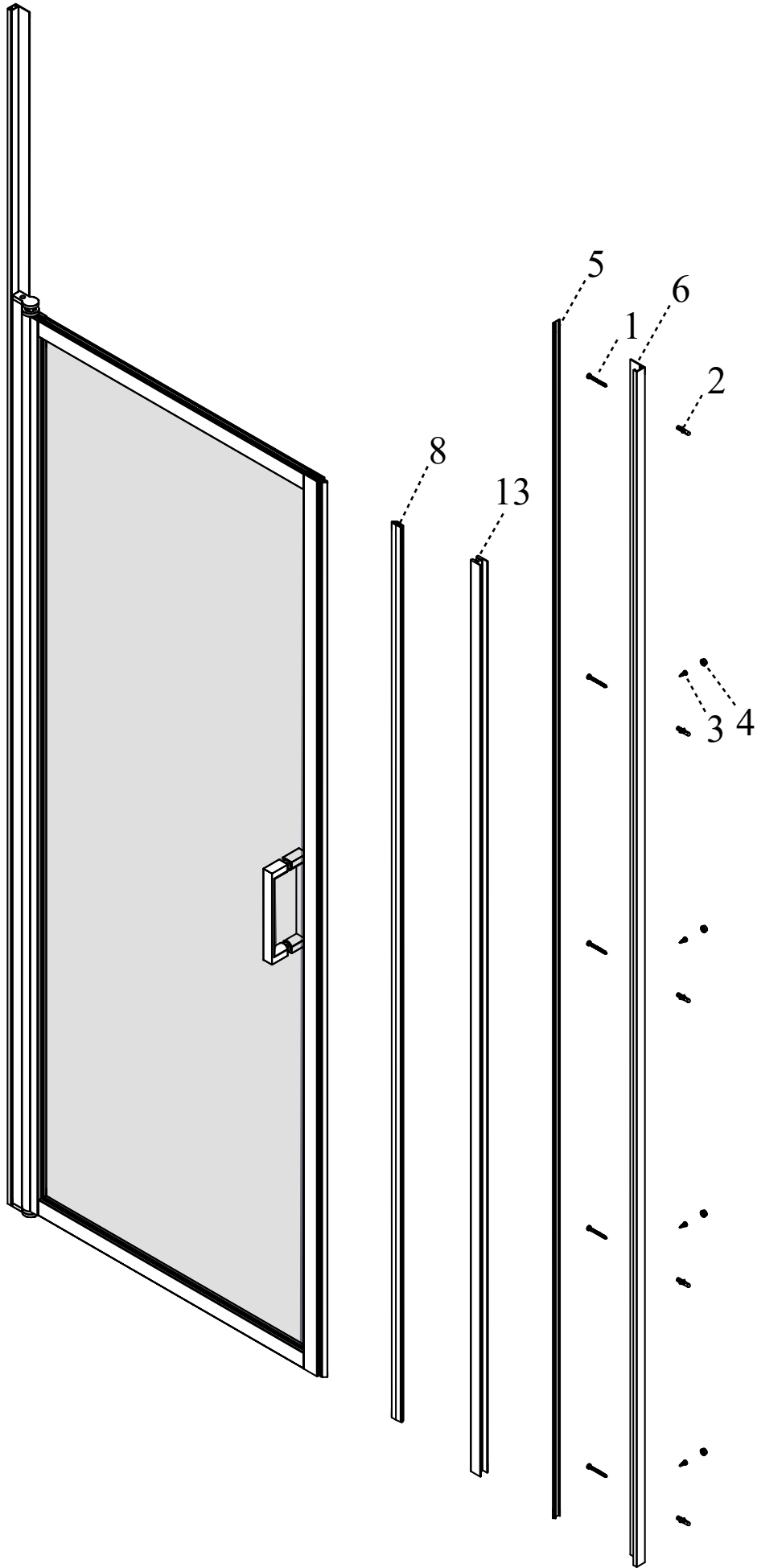
1.7



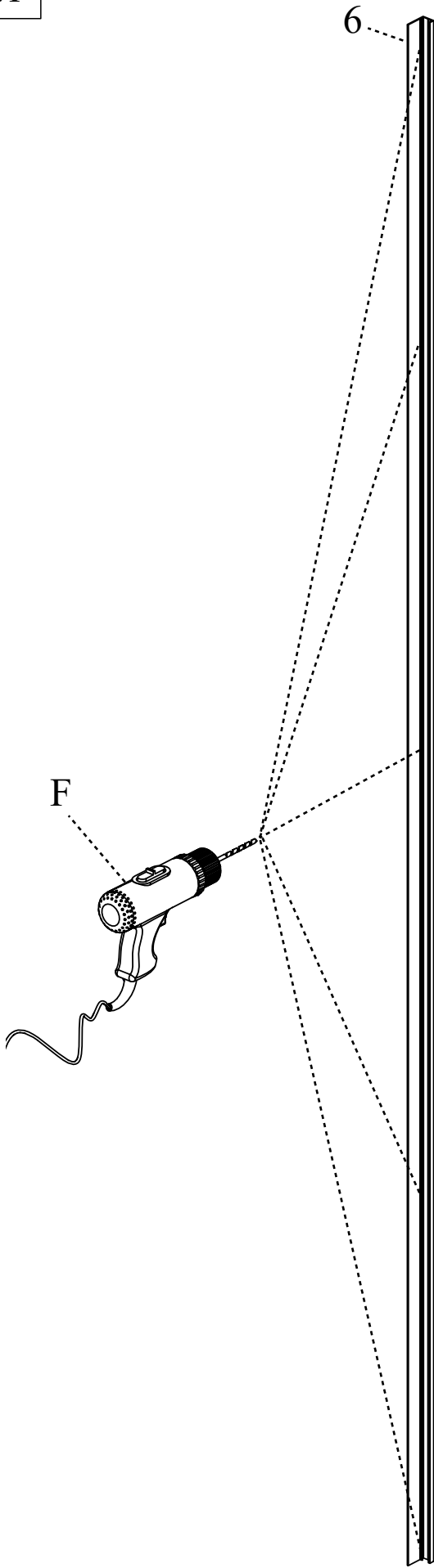
1.8



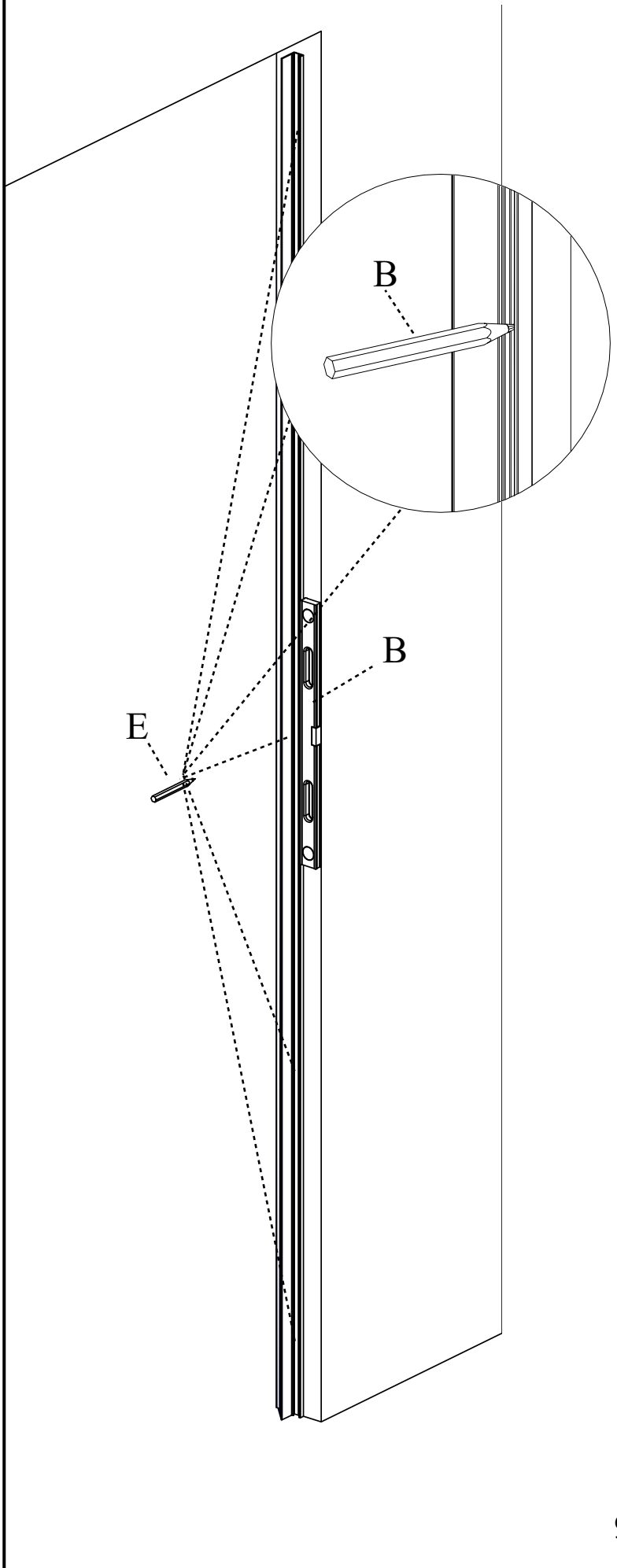
2/3



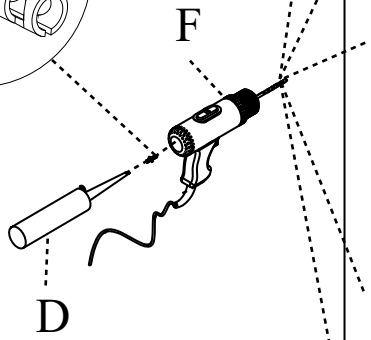
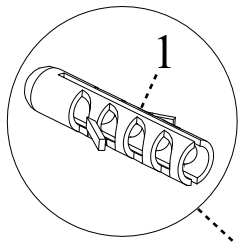
2.1



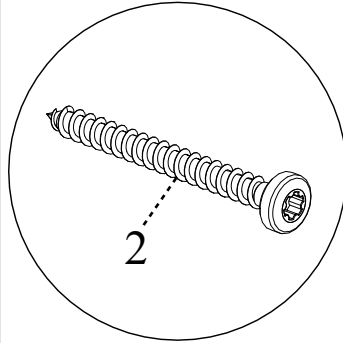
2.2



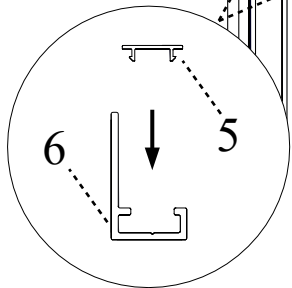
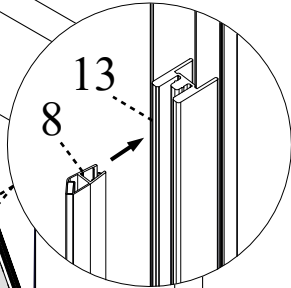
2.3



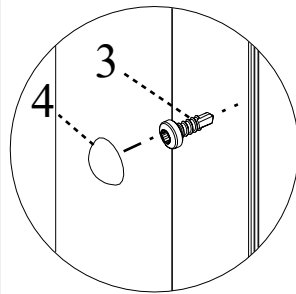
2.4

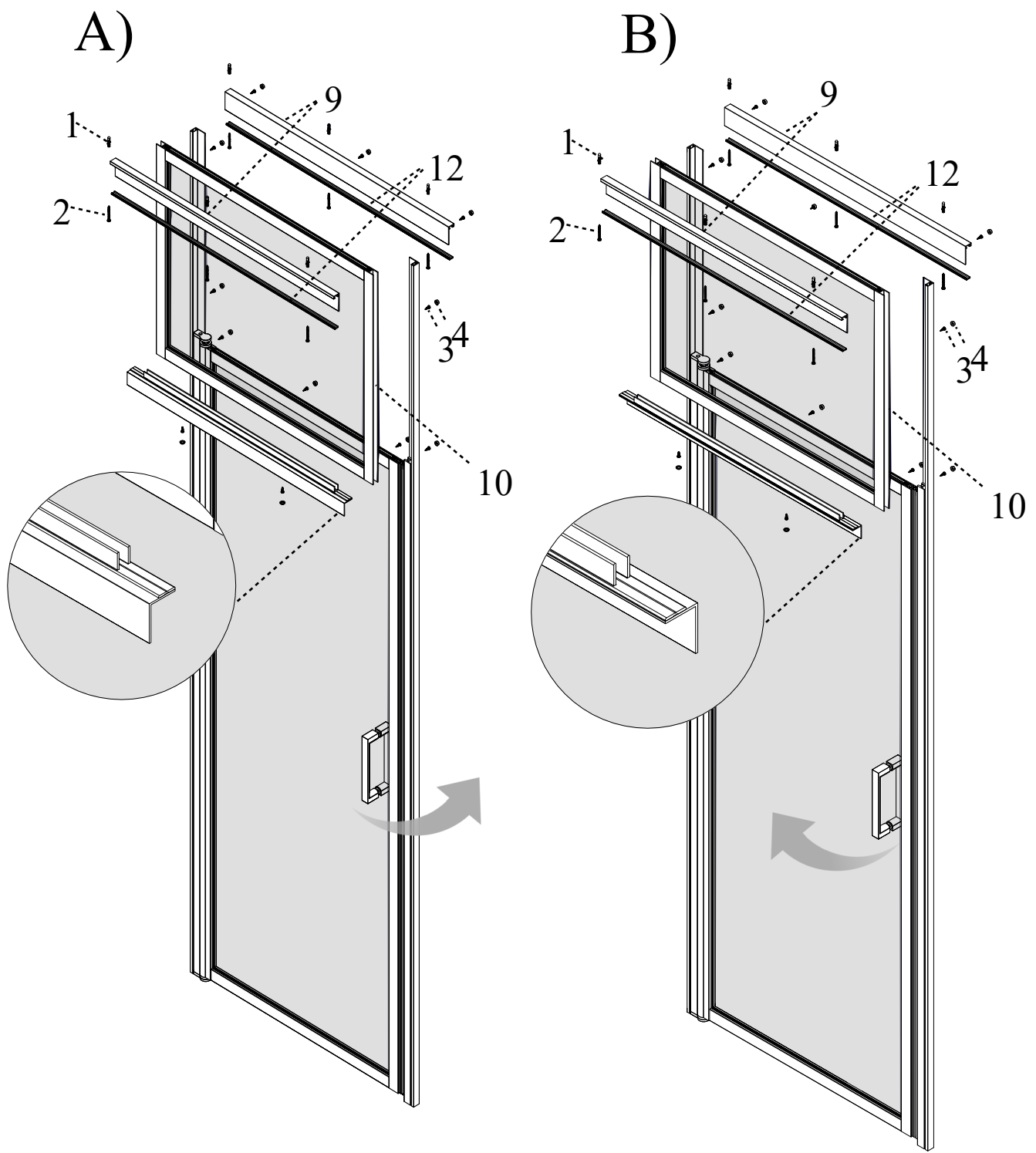


2.5



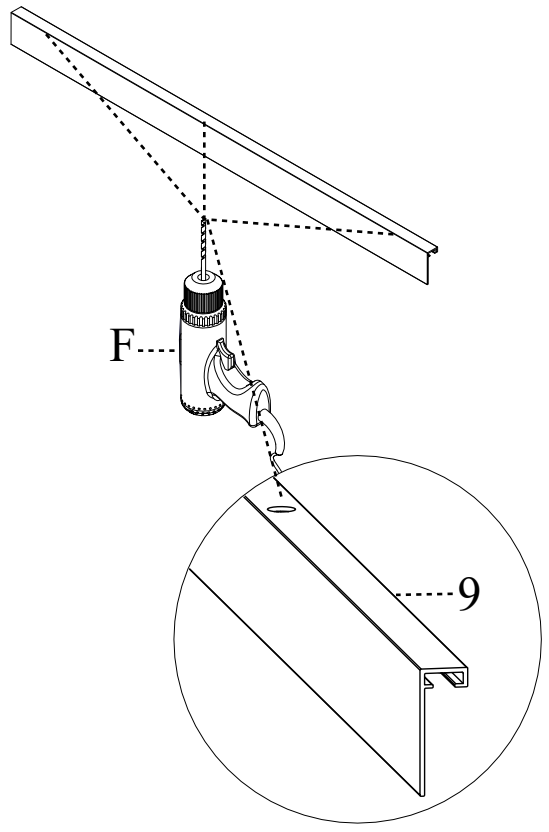
2.6



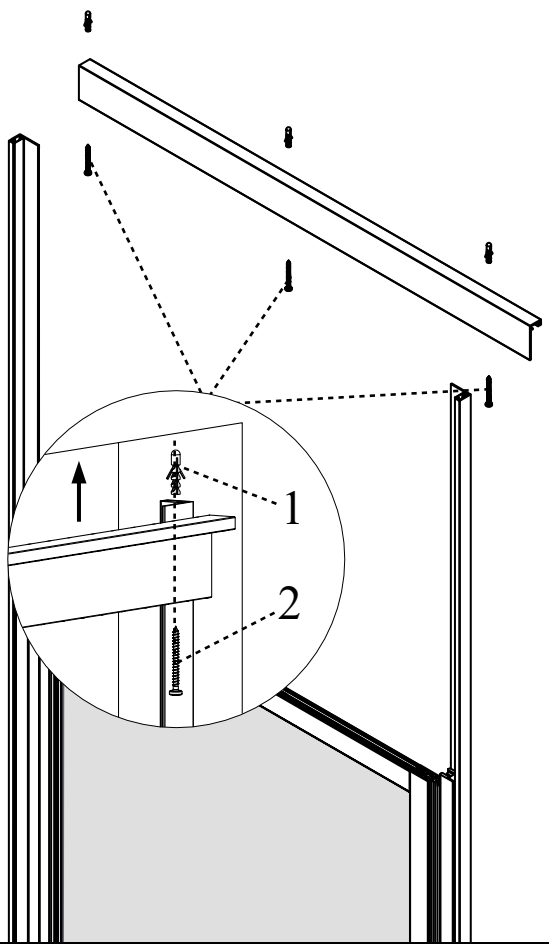


3.1

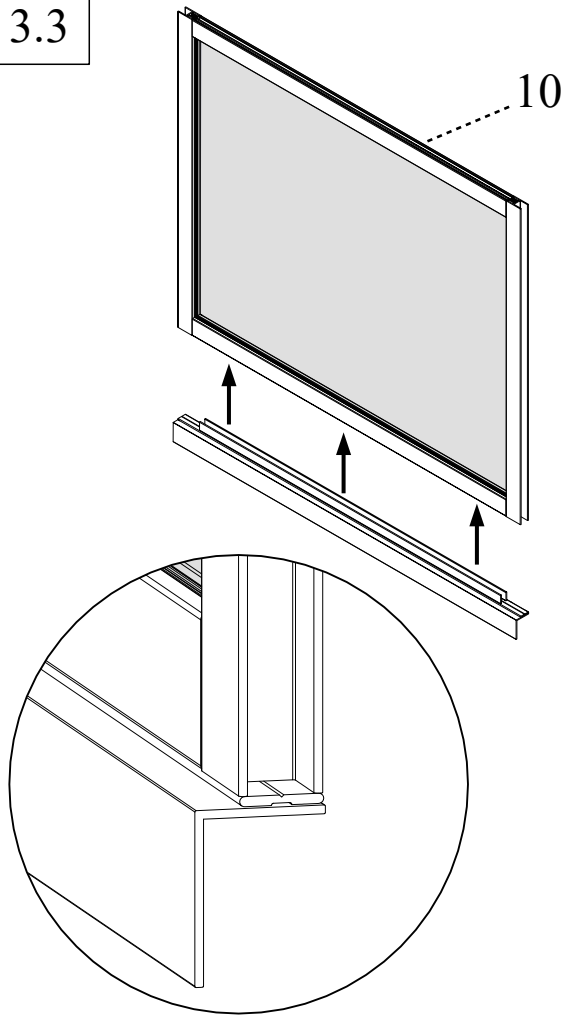
2x



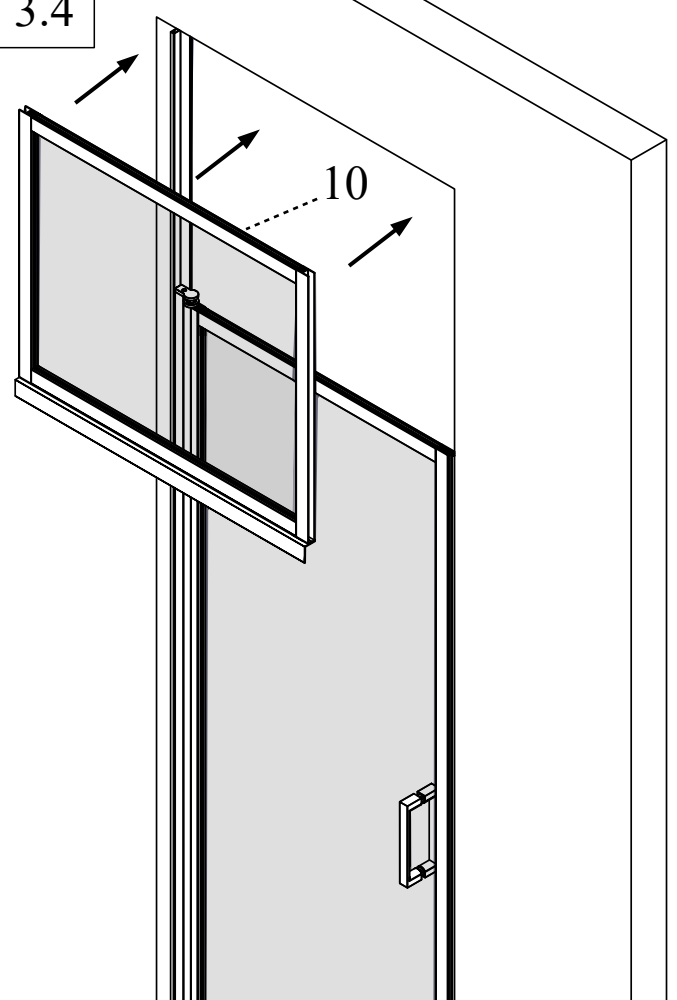
3.2



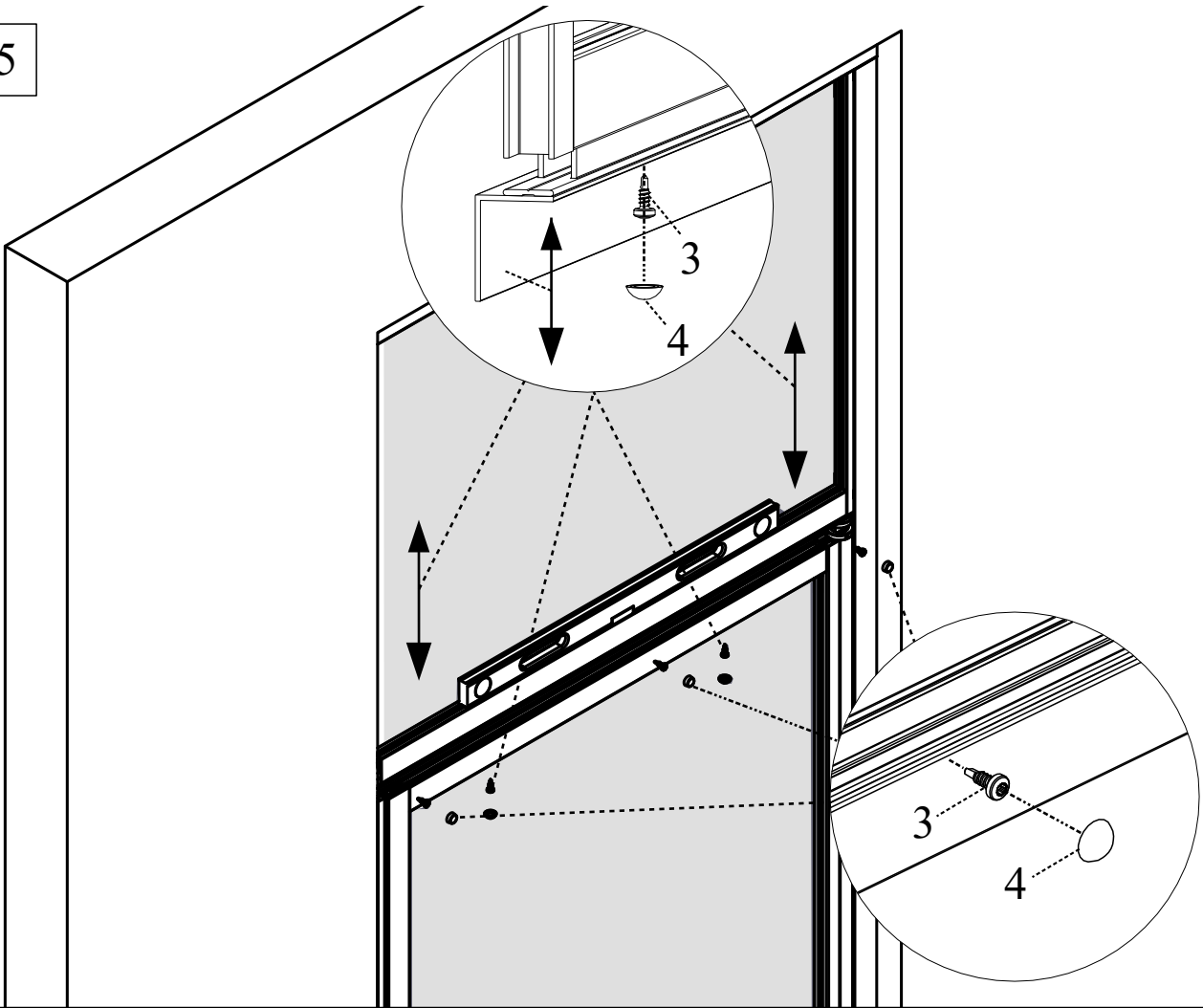
3.3



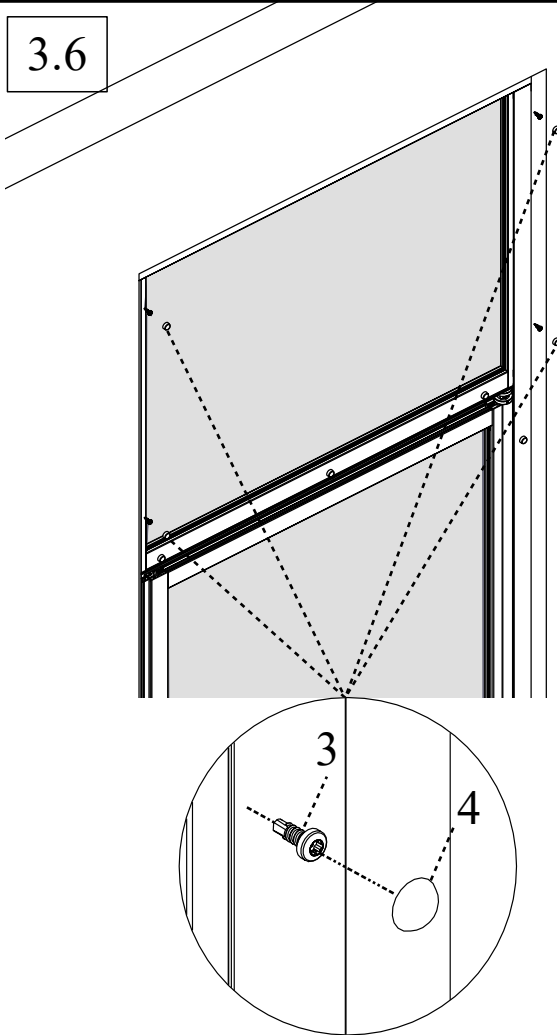
3.4



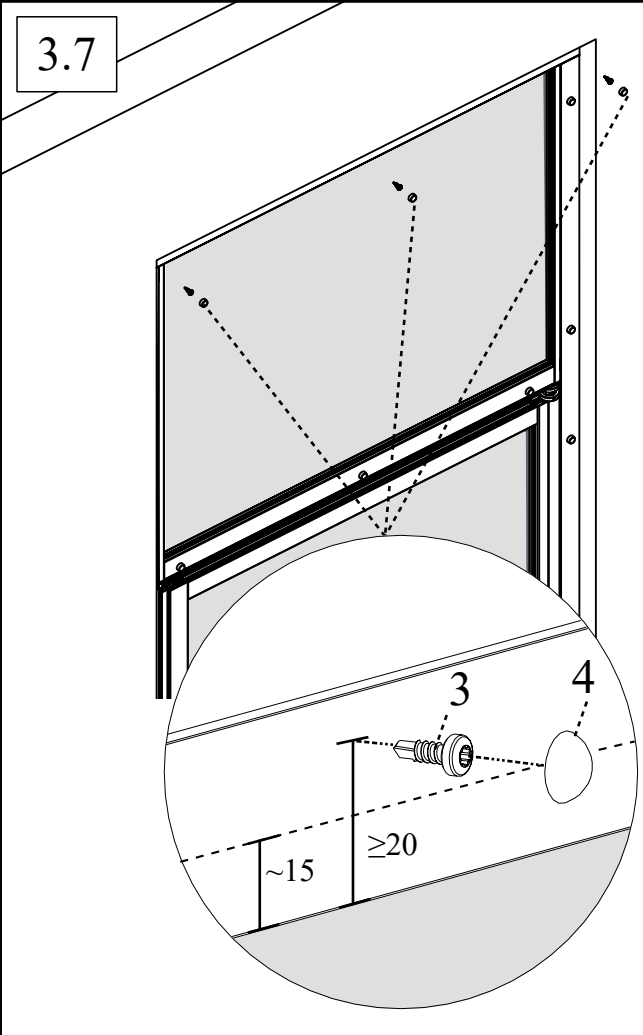
3.5



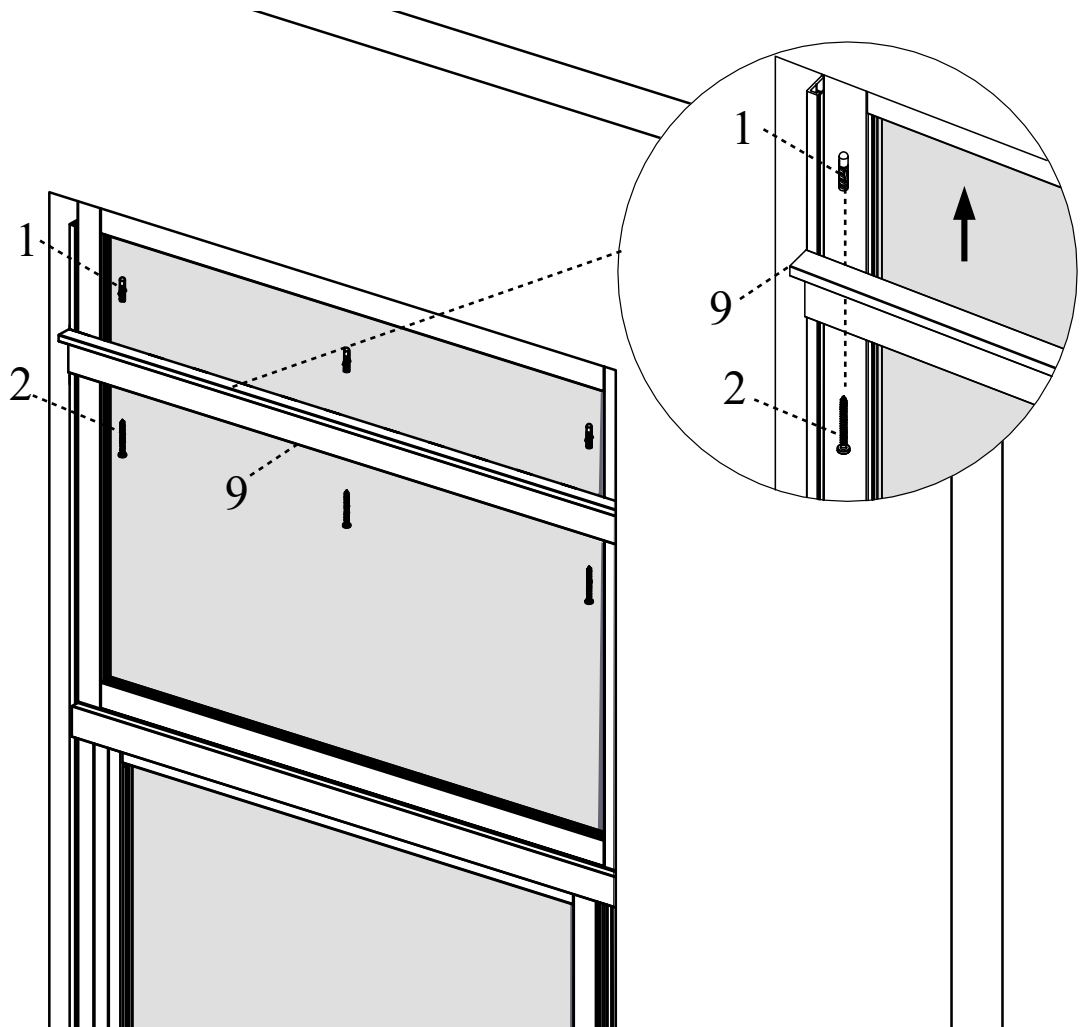
3.6



3.7



3.8



3.9

