

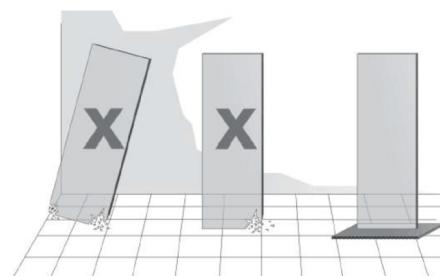
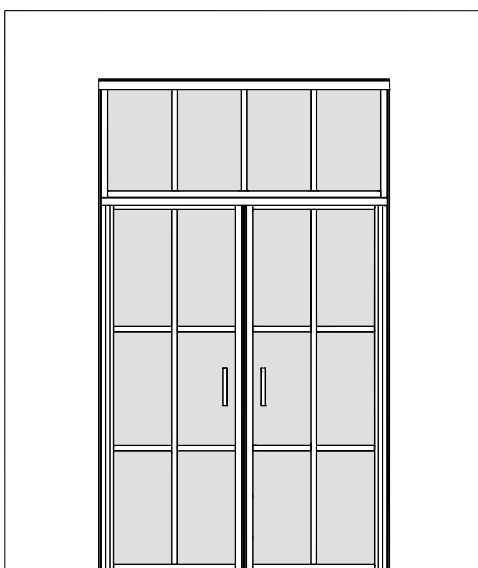
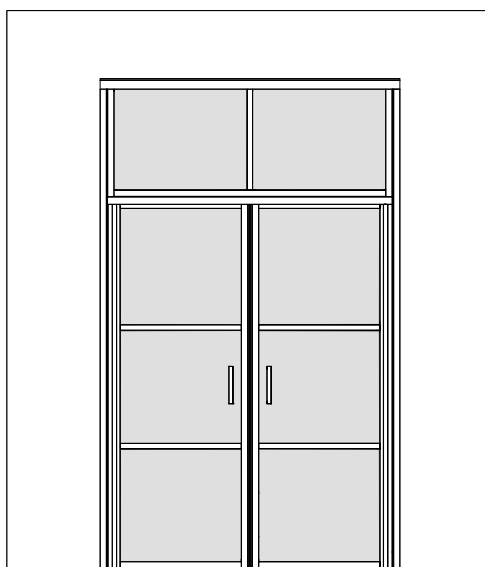
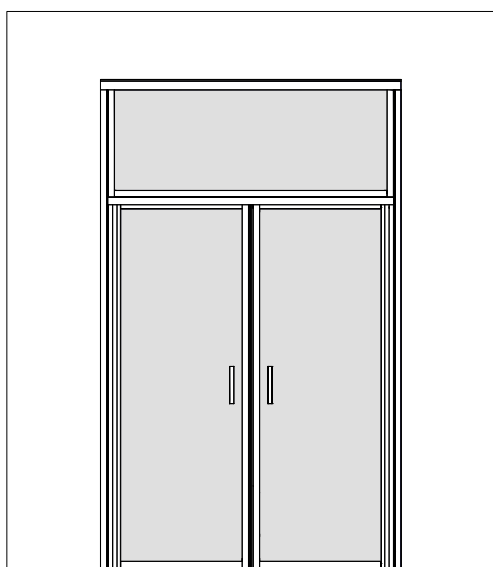


HIETAKARI®

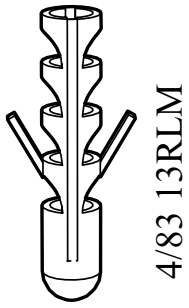


8/25 6DRLM

# 704/705/706



# Parts



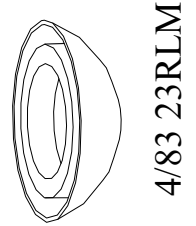
1. 6x30 mm  
x20



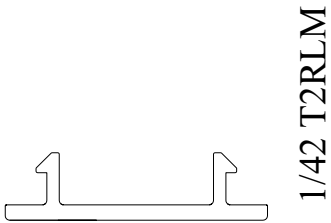
2. 4.5x45 mm  
x20



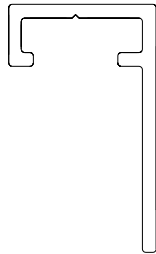
3. 4.2x13 mm  
x22



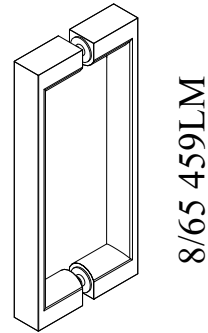
4. x22



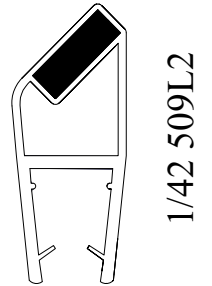
5. x2



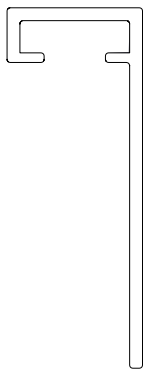
6. x2



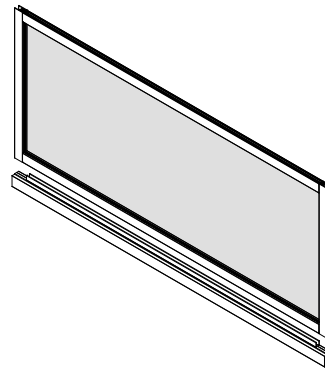
7. x2



8. x2



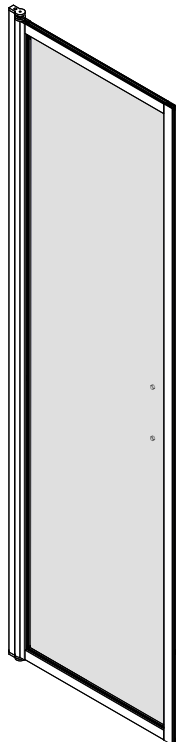
9. x2



11. x1

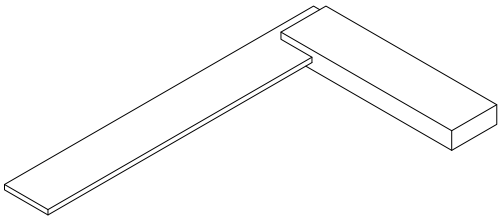


12. x2

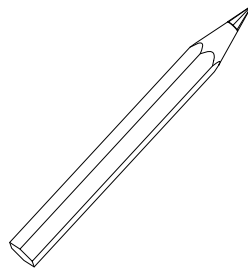


10. x2

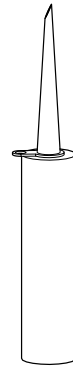
# Tools



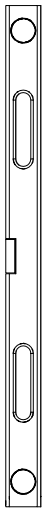
A



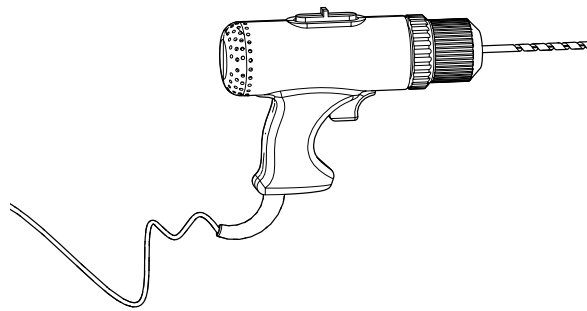
B



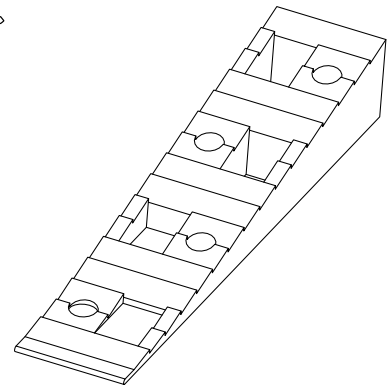
C – Glue  
D – Silicone



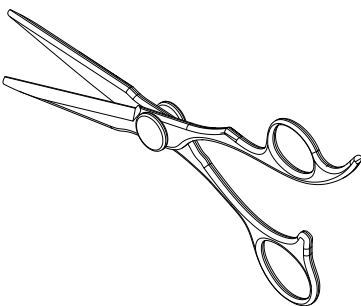
E



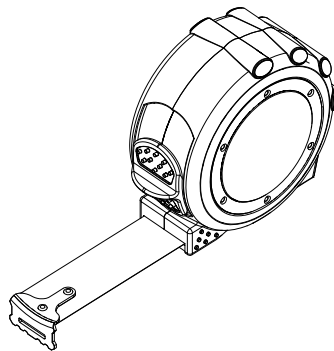
Ø6 mm  
F



G

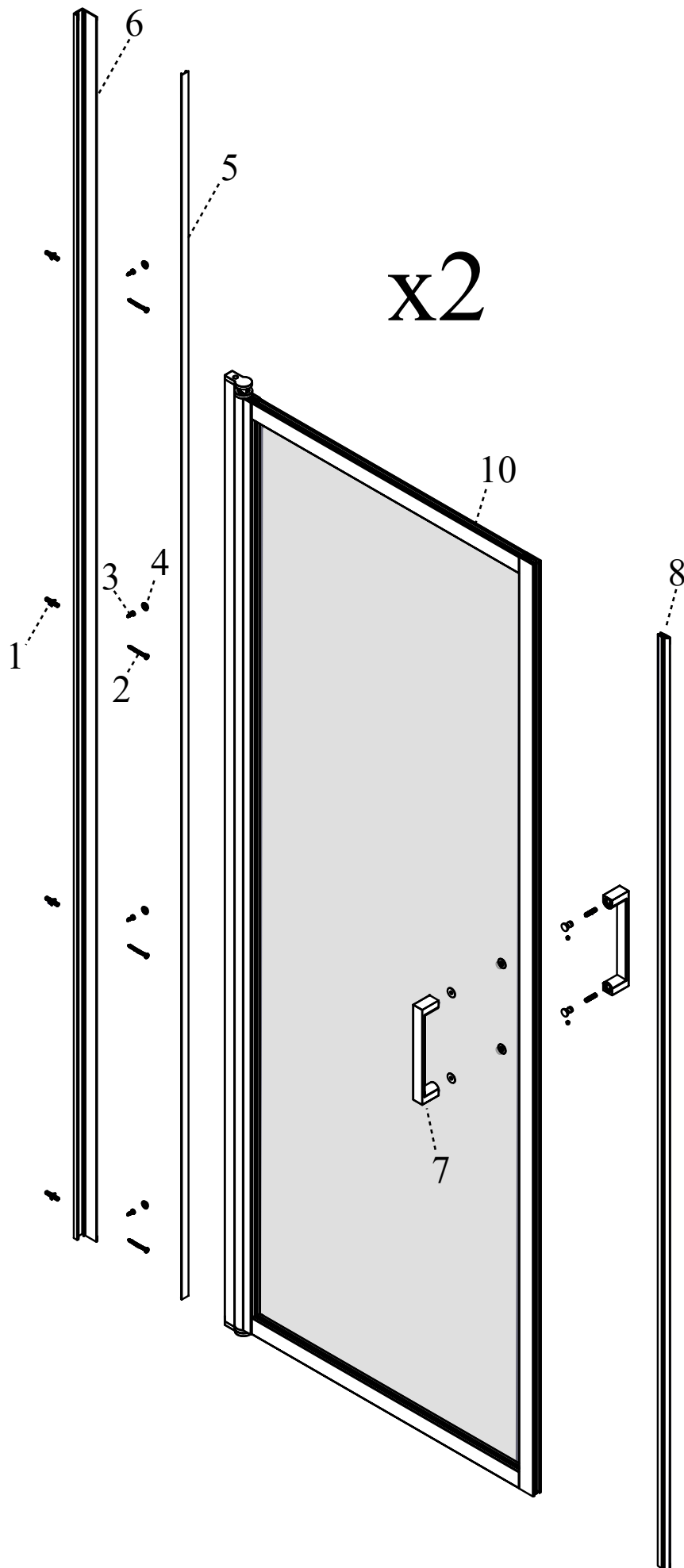


H



I

1/2



1.1

1.2

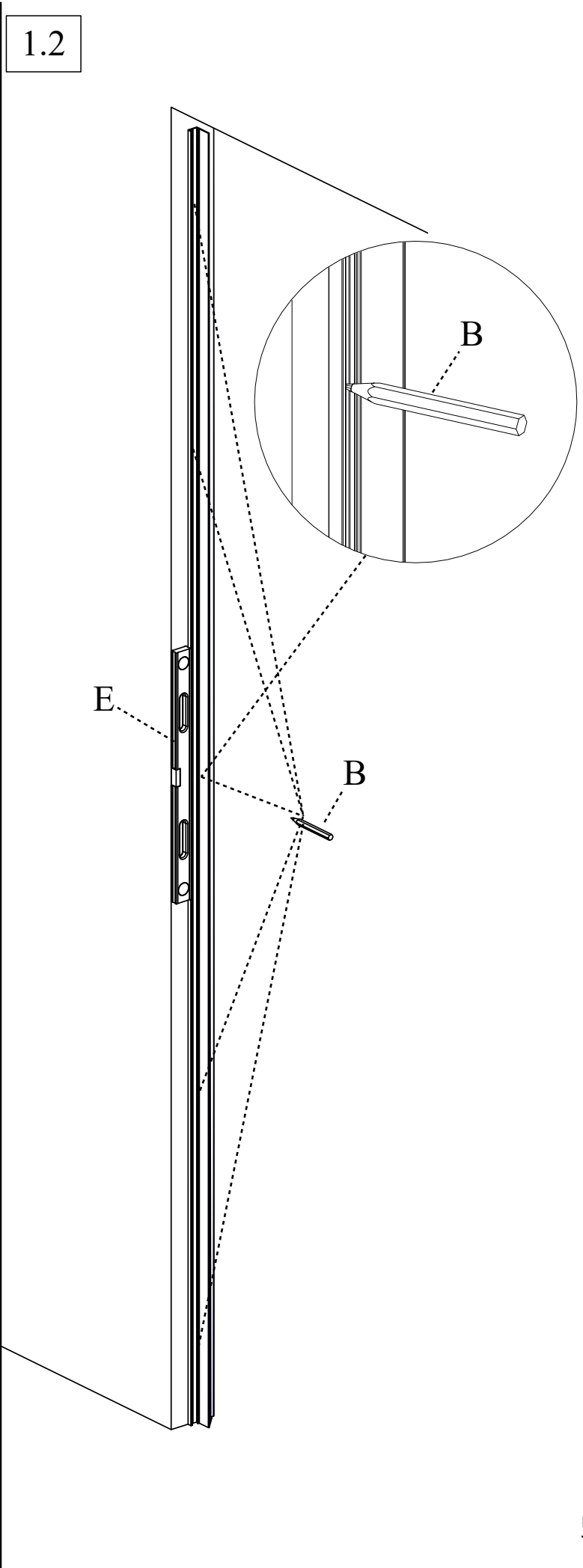
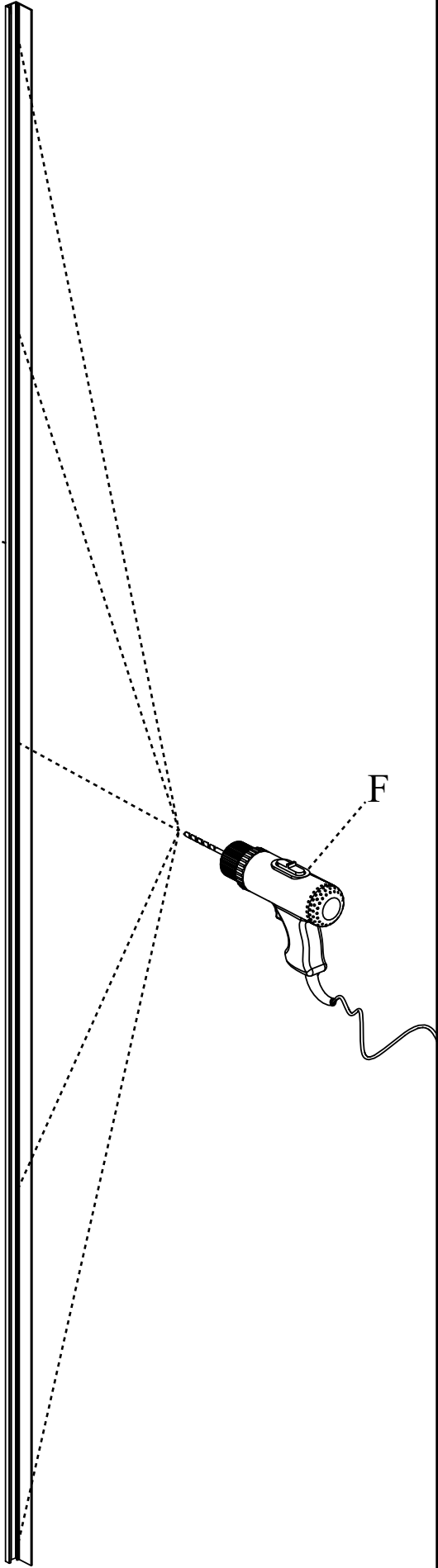
6

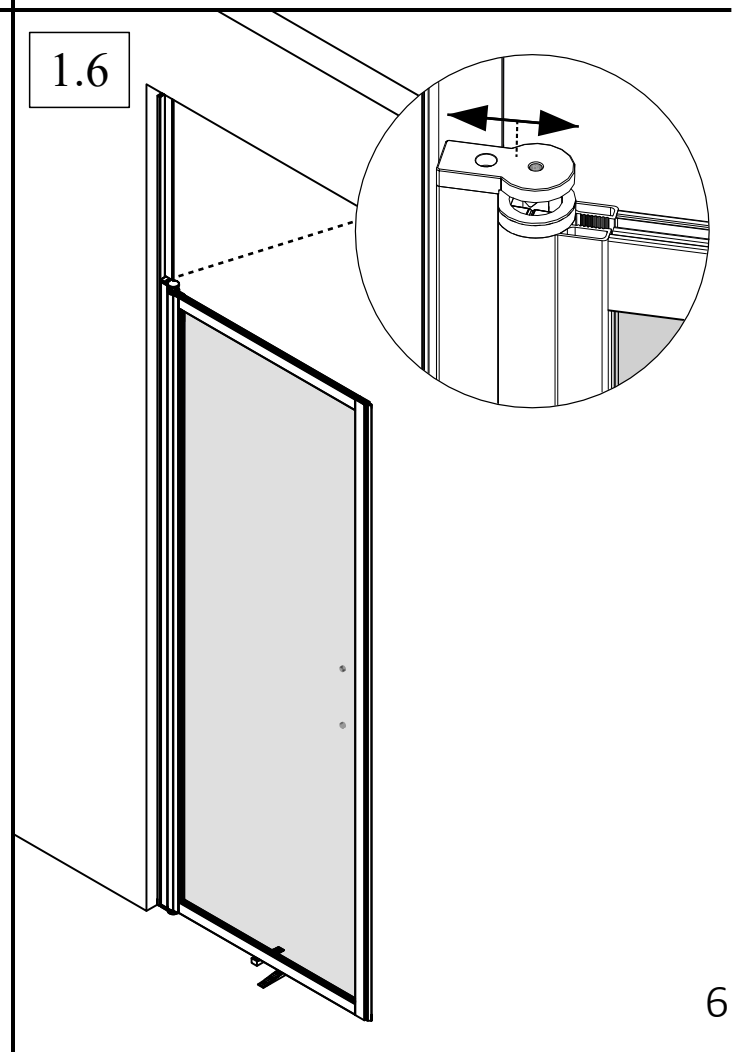
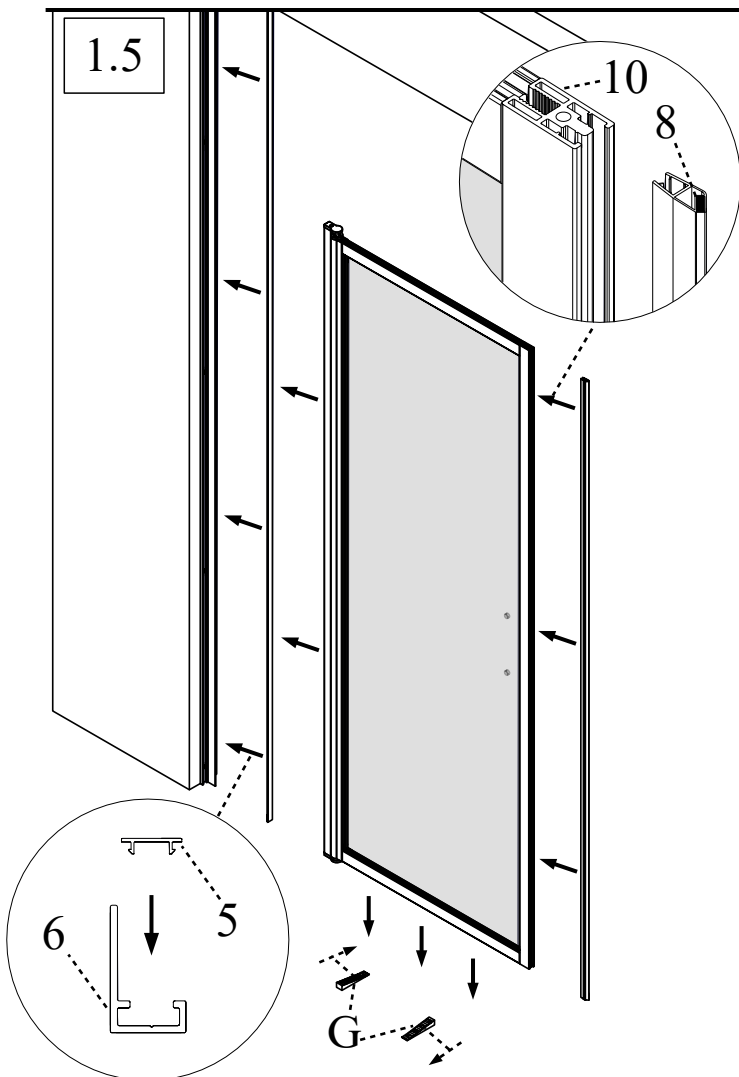
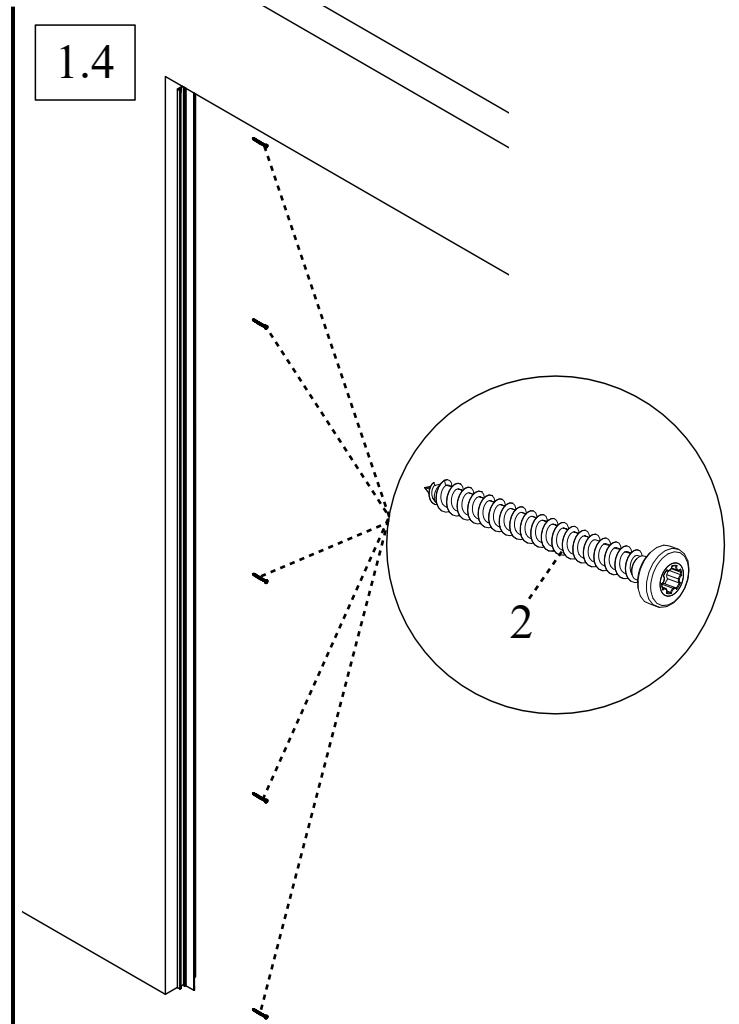
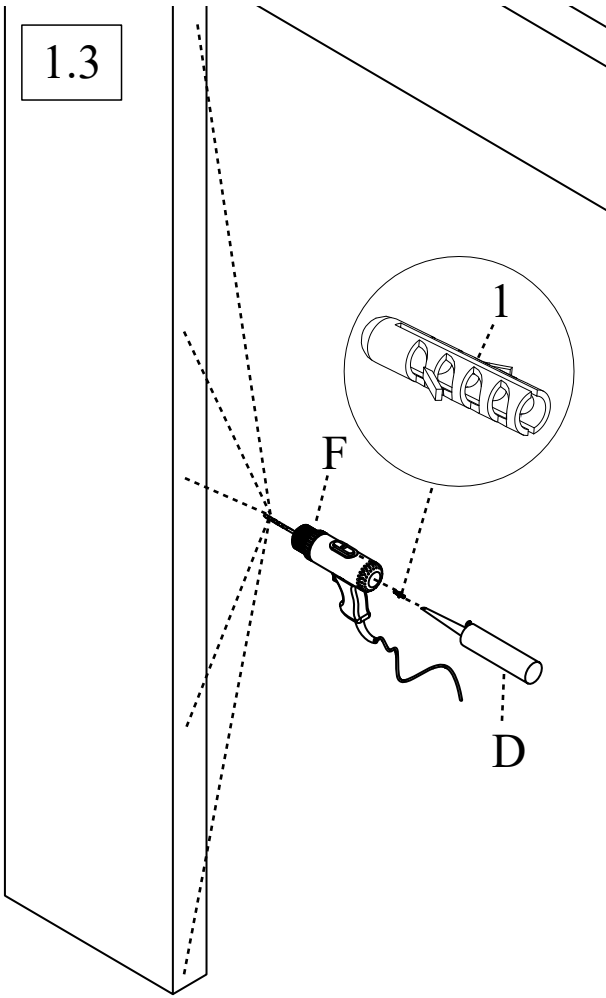
F

E

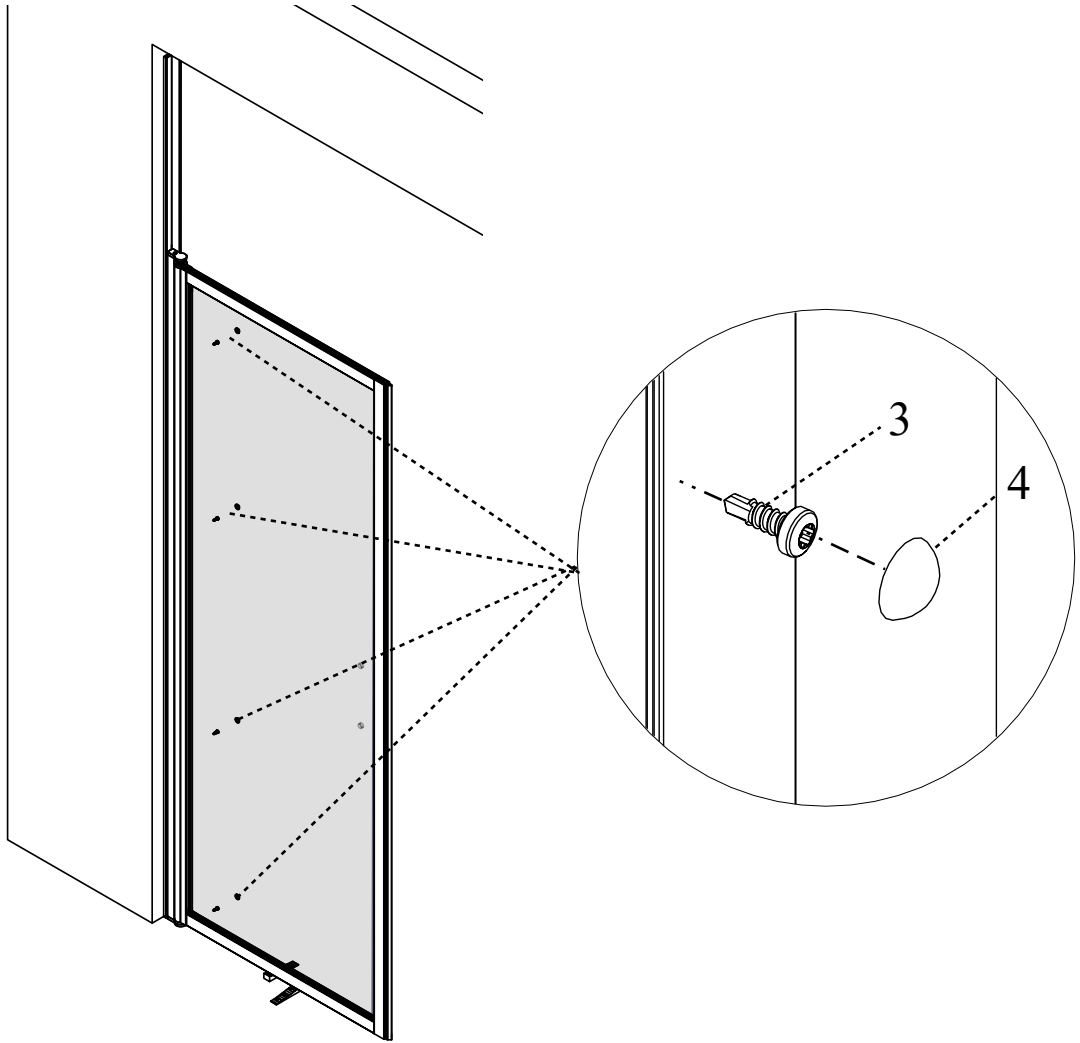
B

B

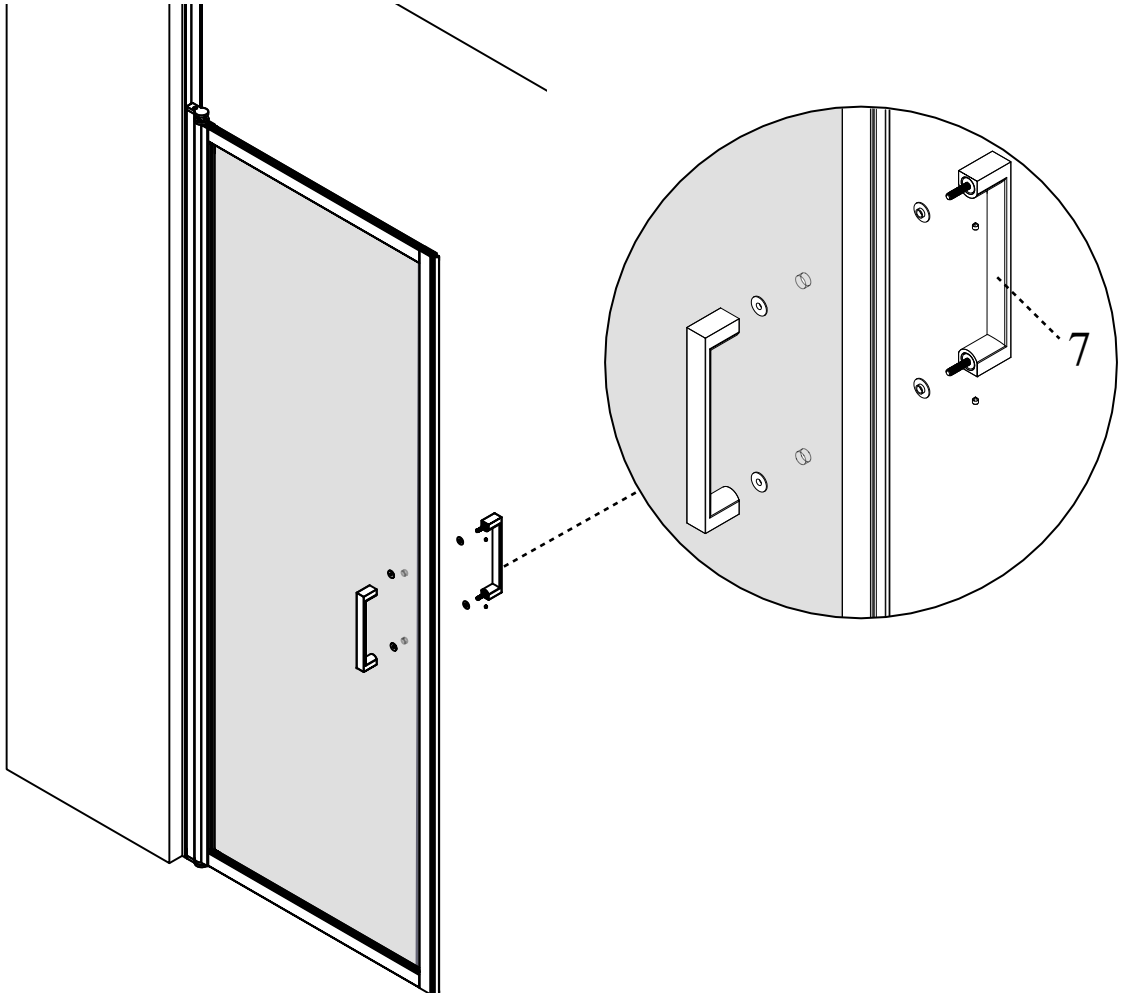




1.7

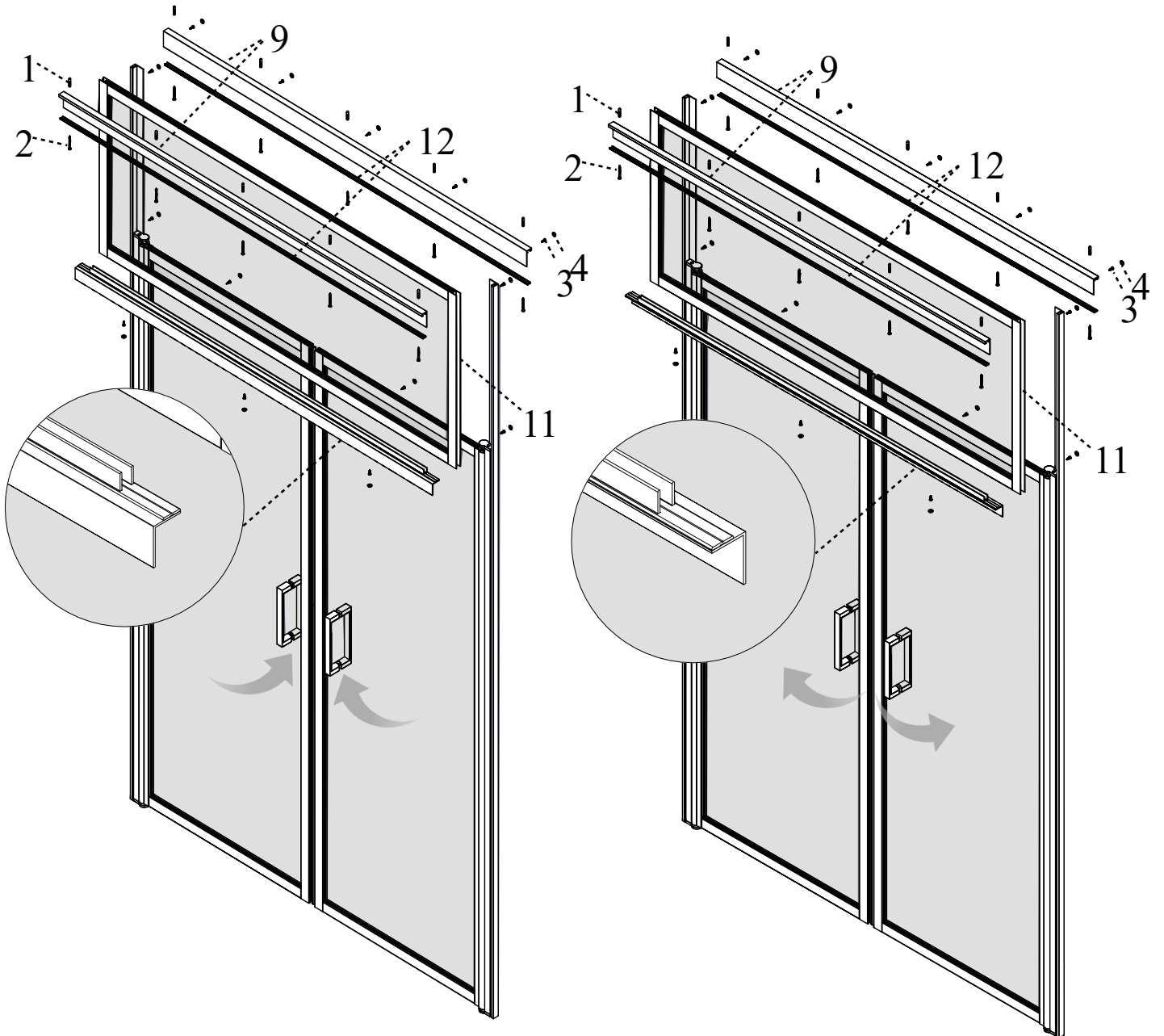


1.8



A)

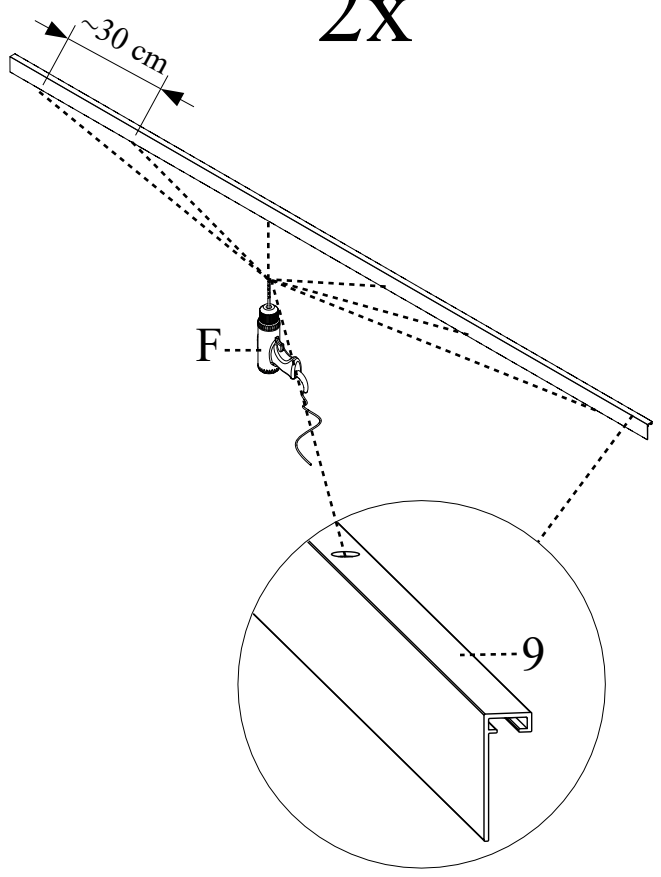
B)



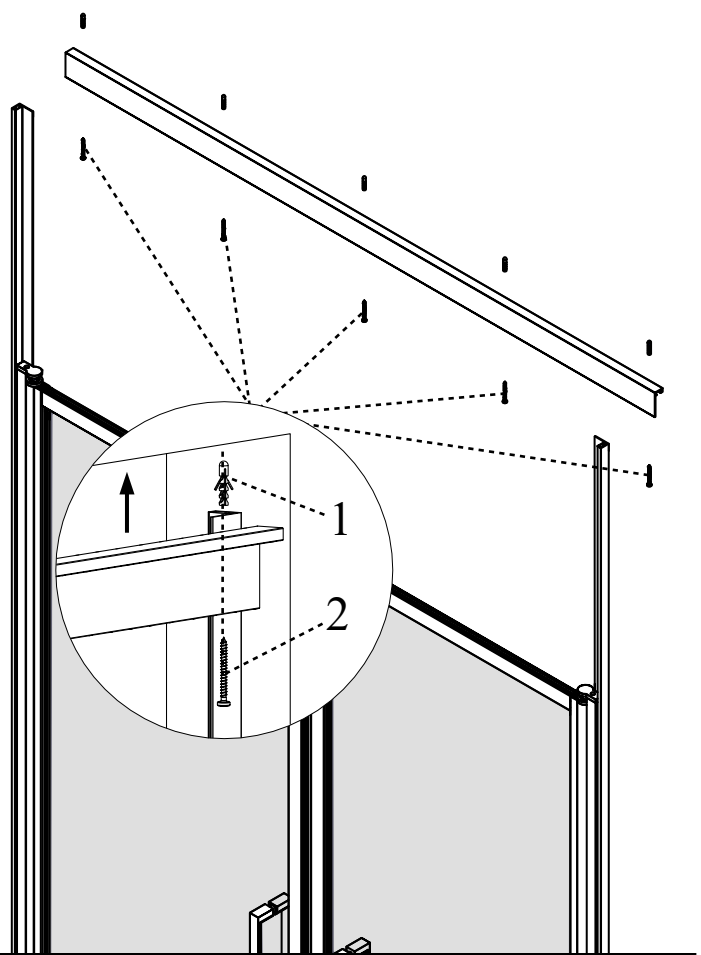


2.1

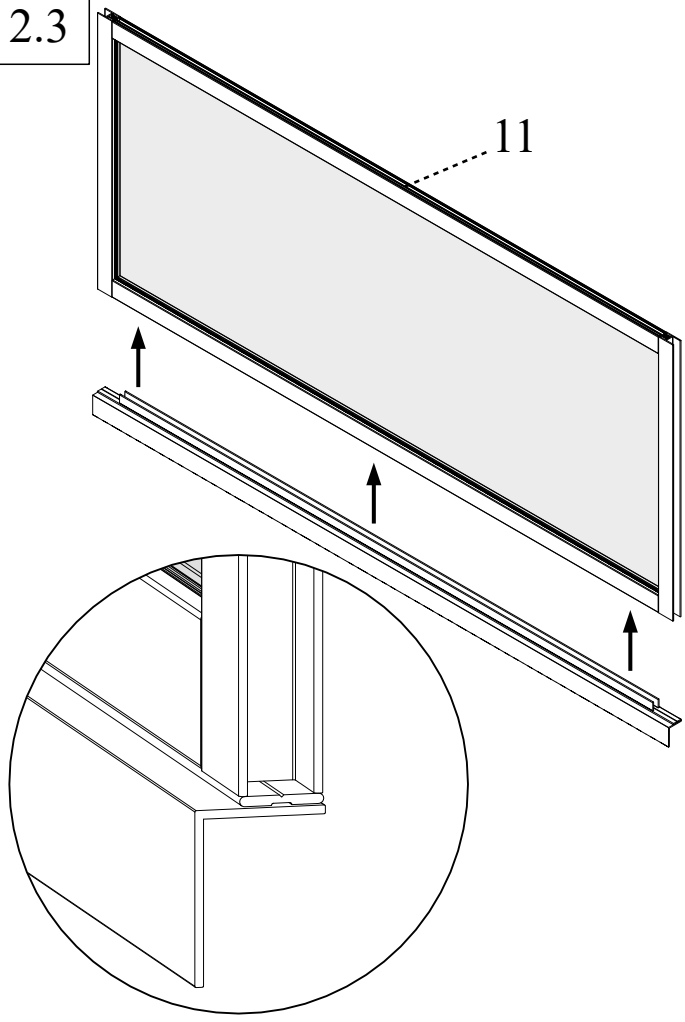
2x



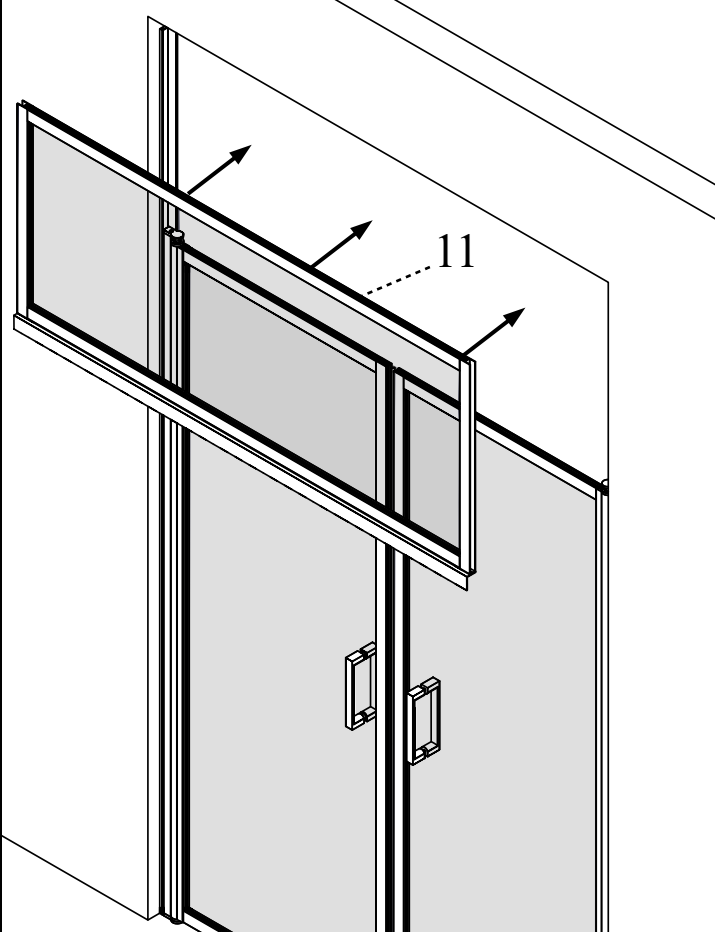
2.2



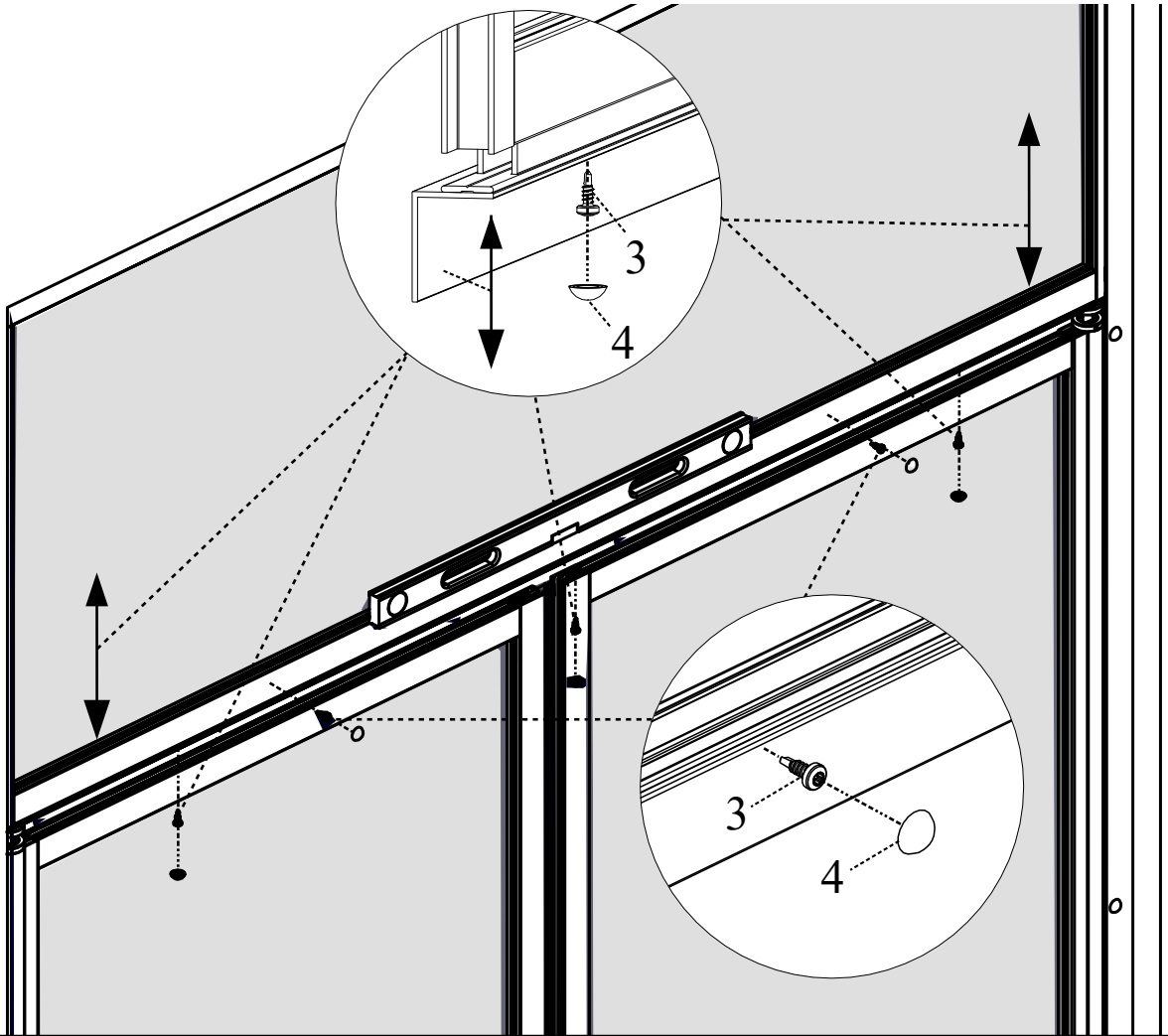
2.3



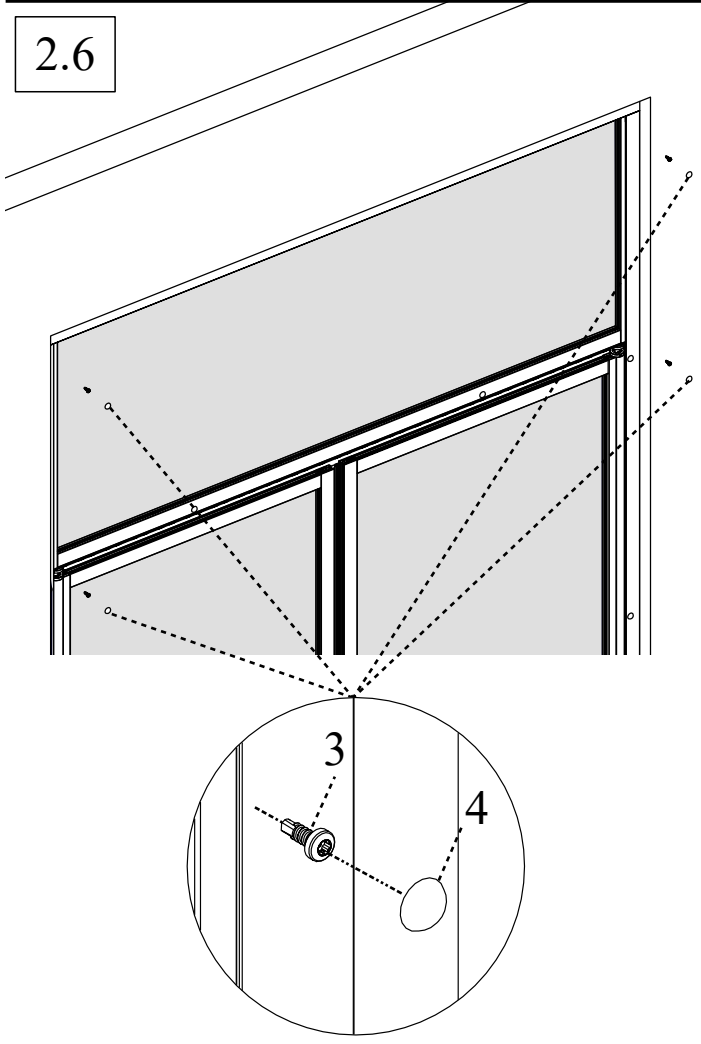
2.4



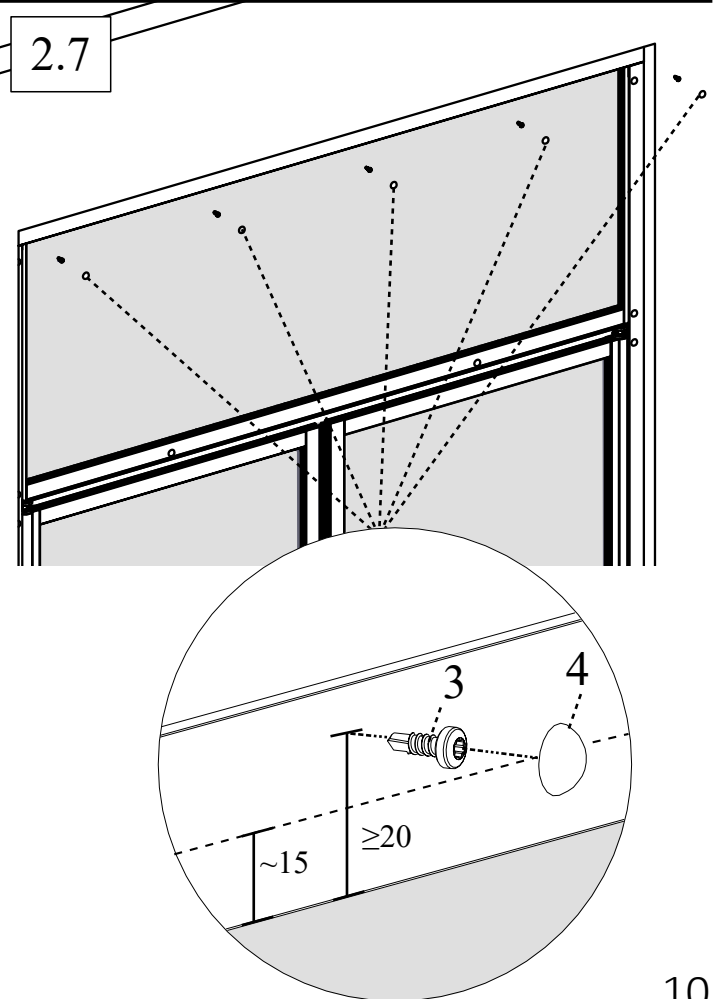
2.5



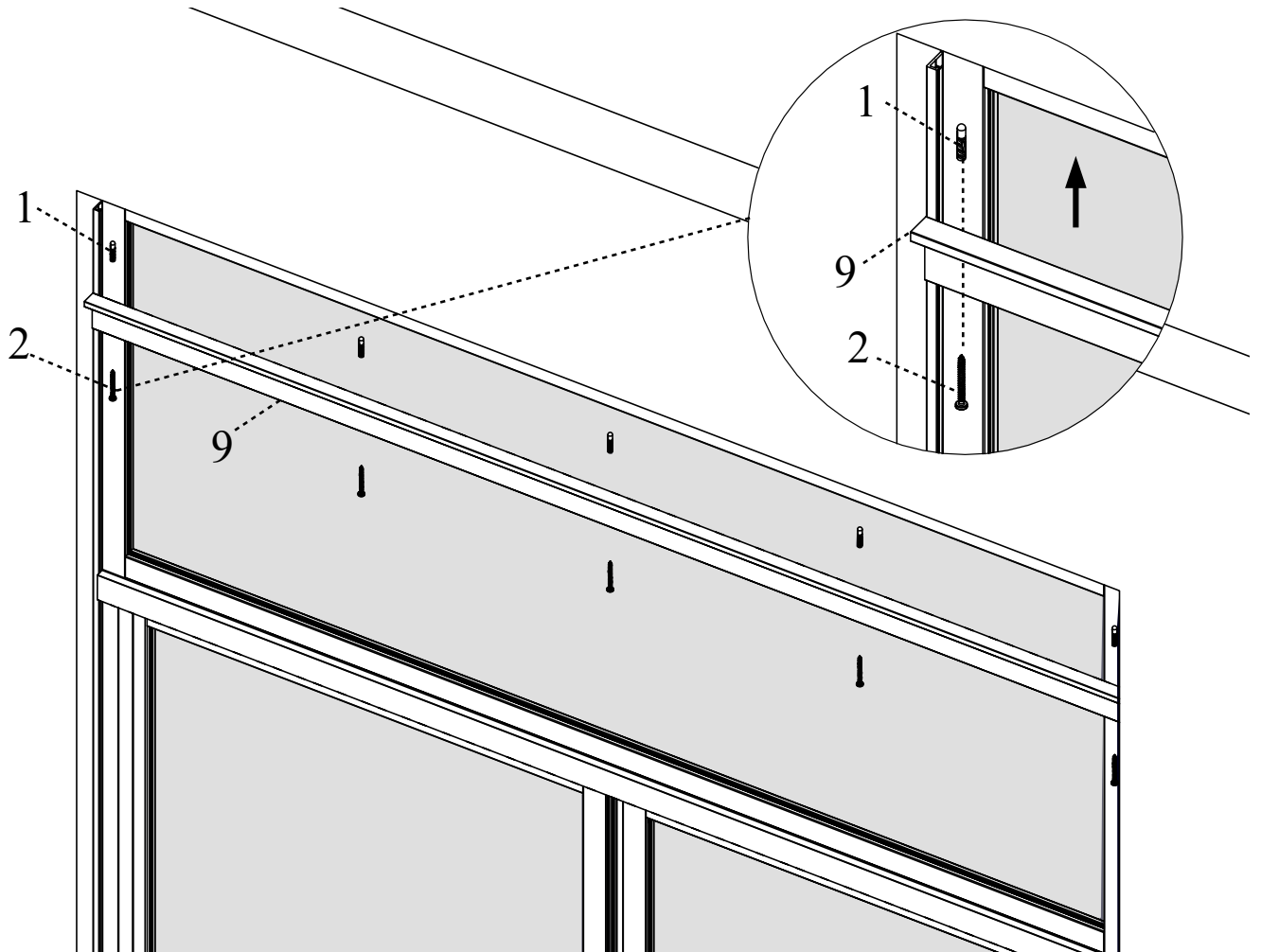
2.6



2.7



2.8



2.9

